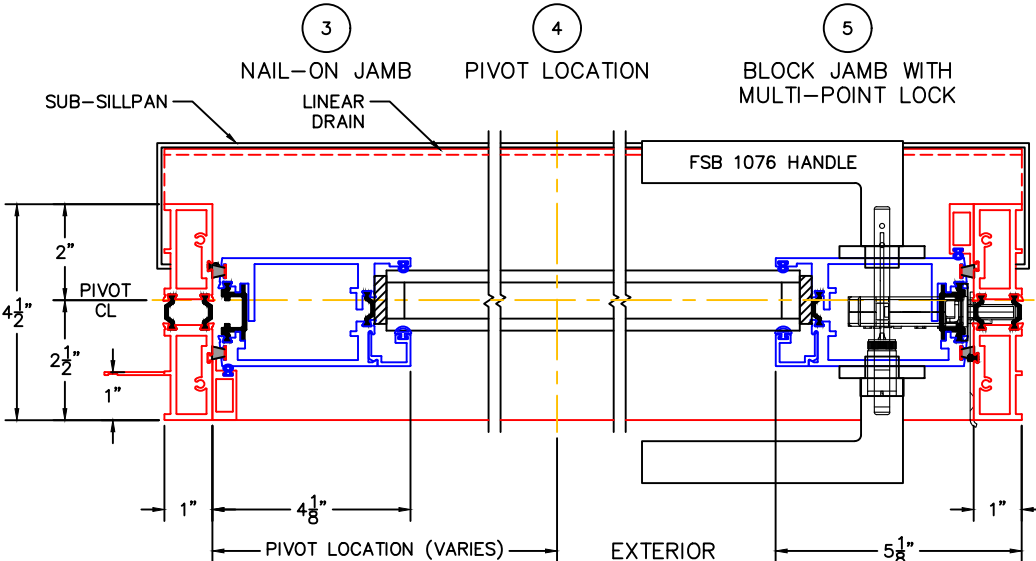
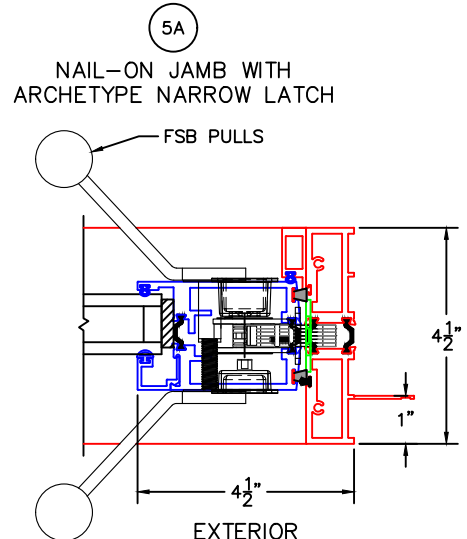
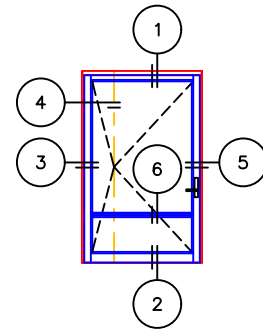
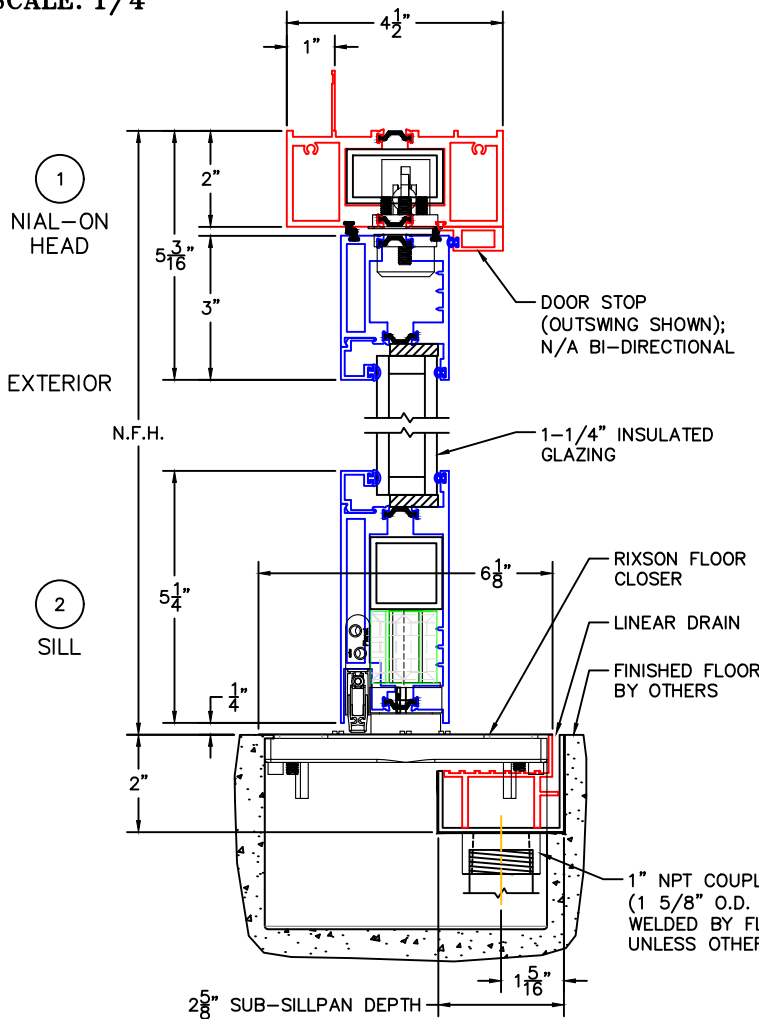


(USE RULER TO SCALE DIMENSIONS IN INCHES)

SCALE: 1/4"

PIVOT DOOR DETAILS WITH RIXSON FLOOR CLOSER



- NOTES:
1. NET FRAME HEIGHT IS FROM FINISHED FLOOR (DOES NOT INCLUDE SILL OR SUB-SILLPAN).
 2. NET FRAME WIDTH DOES NOT INCLUDE SUB-SILLPAN.
 3. GLASS PENETRATION: 1/2"