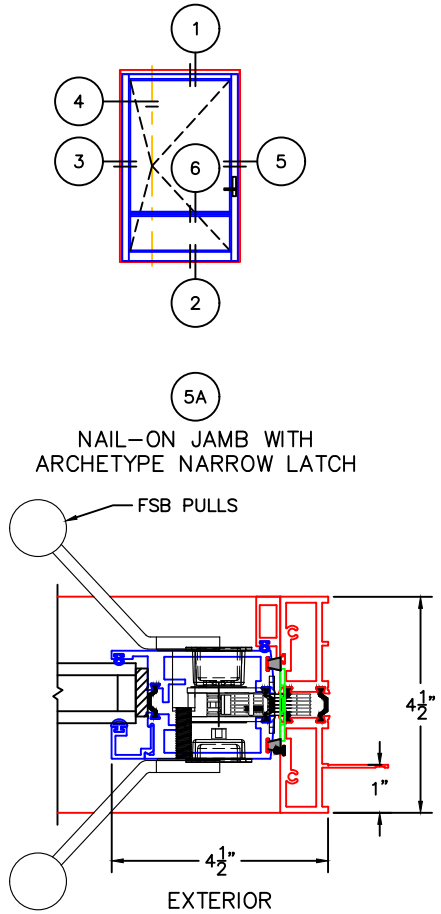
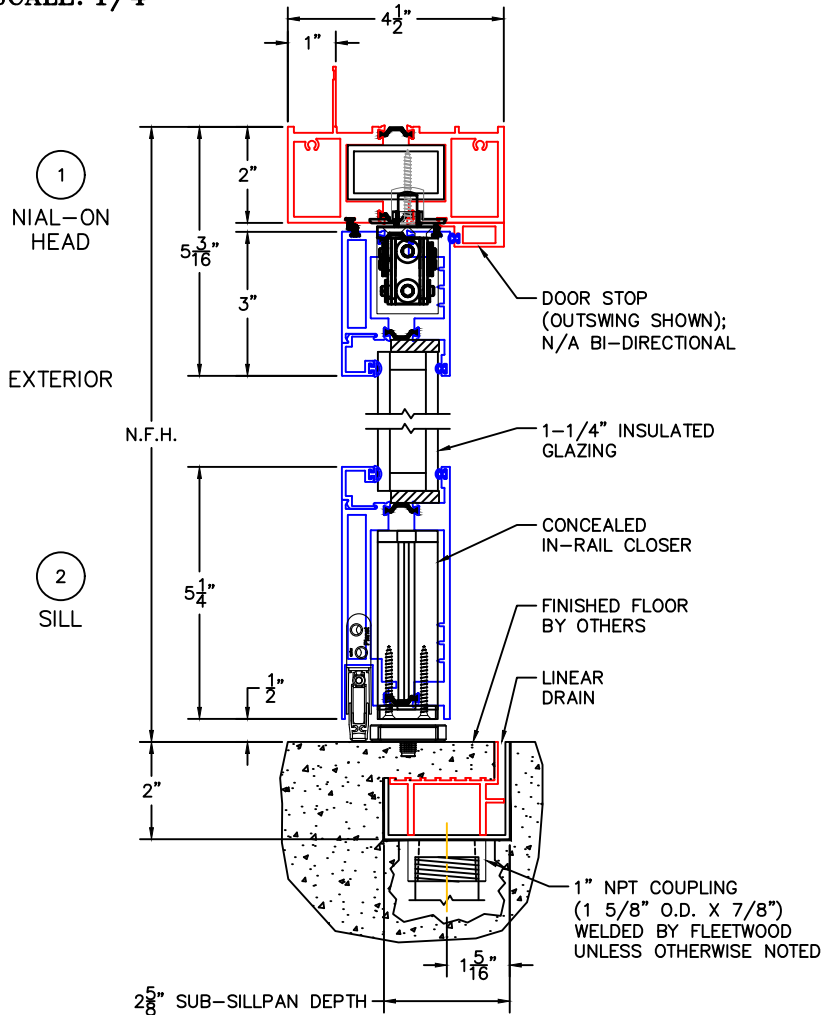
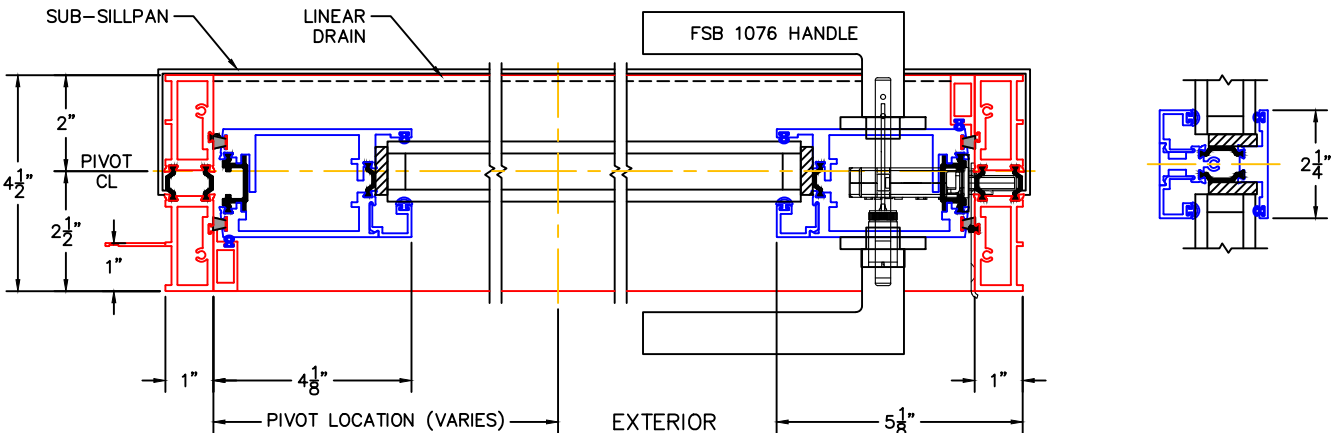


(USE RULER TO SCALE DIMENSIONS IN INCHES)
SCALE: 1/4

PIVOT DOOR DETAILS WITH IN-RAIL CLOSER



3 NAIL-ON JAMB 4 PIVOT LOCATION 5 BLOCK JAMB WITH MULTI-POINT LOCK 6 HORIZONTAL TDL BAR



- NOTES:**
1. NET FRAME HEIGHT IS FROM FINISHED FLOOR (DOES NOT INCLUDE SILL OR SUB-SILLPAN).
 2. NET FRAME WIDTH DOES NOT INCLUDE SUB-SILLPAN.
 3. GLASS PENETRATION: 1/2"