

Fleetwood Electronic Lock Hardware – Quick Facts

I. General

Basic Functions & Features:

- Automated locking when door closes (3 second delay)
 - (Automated locking can be disabled – located on Control Module)
- Mechanical anti-panic egress with or without power

3900-T

Provided (located):

- 3-pt lock with motor driven automation (lock stile)
- Control Module to manage input/output functions (room-side face of hinged jamb)
- Spring-loaded Contact to transfer power from frame to panel (hinged jamb/stile)
- Magnet Contact to sense closed position (lock jamb)
- Strikes (lock jamb)
- Radio Key (remote fob)

4400-T

Provided (located):

- 3-pt lock with motor driven automation (lock stile)
- Control Module to manage input/output functions (room-side face of head; towards pivot location)
- Magnet Contact to sense closed position (lock jamb)
- Strikes (lock jamb)
- Radio Key (remote fob)

Not Provided:

- Power supply: 12v DC/3A minimum required
- User Interface: Entry access system, e.g. keypad, biometric or other.

II. Technical

Factory Supplied:

- Electronic multipoint lock with motor drive automation which includes:
 - 45mm backset.
 - 67.25" minimum panel height.
 - Locks are handed (LH or RH) and must be ordered according to Hinge Location (LH or RH).
 - 360-degree profile cylinder standard.
 - Mechanical anti-panic egress (egress is assured with or without power).
 - Control module to manage in/output functions.
 - Spring loaded contact to transfer power from frame to sash (not supplied on 4400-T).
 - Magnet contact to sense open/closed position.
 - Cables to connect supplied items.
- Electronic Latch is preprogrammed for 2 modes at time of purchase:
 - Mode 1: (UNLOCKED) latch, deadbolt, and multipoint's stay in the unlocked position (preferred for high traffic situations e.g. parties).
 - Mode 2: (AUTO-LOCK) all points of contact lock when the door shuts.
 - Additional modes are available, refer to owner's manual at time of purchase.

Additional Supplies Required (NOT PROVIDED BY FLEETWOOD):

- Power supply: 12V DC / 3A min required. See below for reference.
- User Interface: Entry access system e.g. keypad, biometric or other. The selected device must make a closed contact at the input terminals of the control module for <= 1 sec. to initiate the unlocking sequence.
- Wi-fi or smartphone control must be accommodated via the entry access system. See below for references.

References:

Power Supply

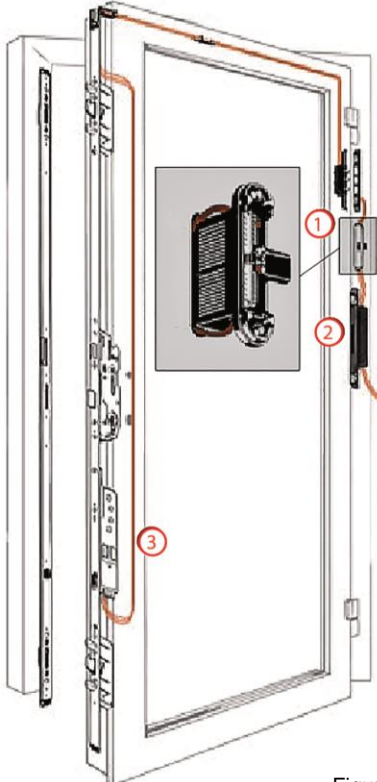
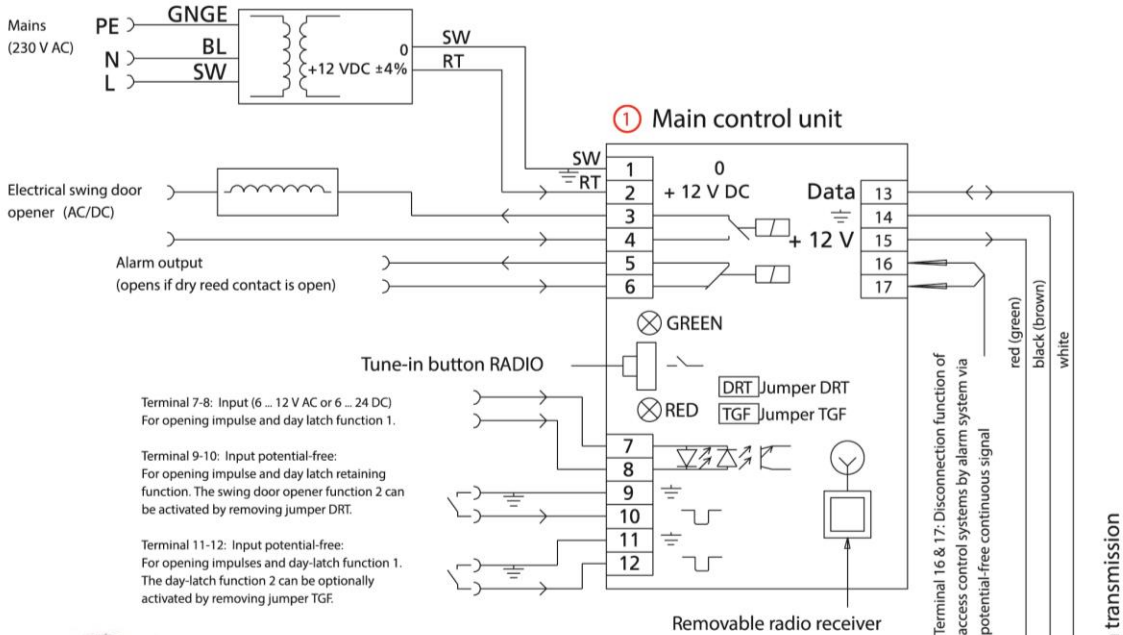
Supplier	Web	Phone	Product
SE Automation	www.seawi.com	920-380-9400	Siemens: SIEM-6EP13232BA00 SITOP PSU100S 12V/14A, 120/230 VAC, 12V/14A

Entry Access System

Supplier	Web	Phone
Siedle USA	www.siedleusa.com	800-874-3353
Holovision	http://eholovision.com	714-434-6904

III. Wiring Diagram

② Power supply (NOT PROVIDED BY FLEETWOOD)
min. 12 V DC (residual ripple < 250 mVpp)



③ Control unit in the drive unit

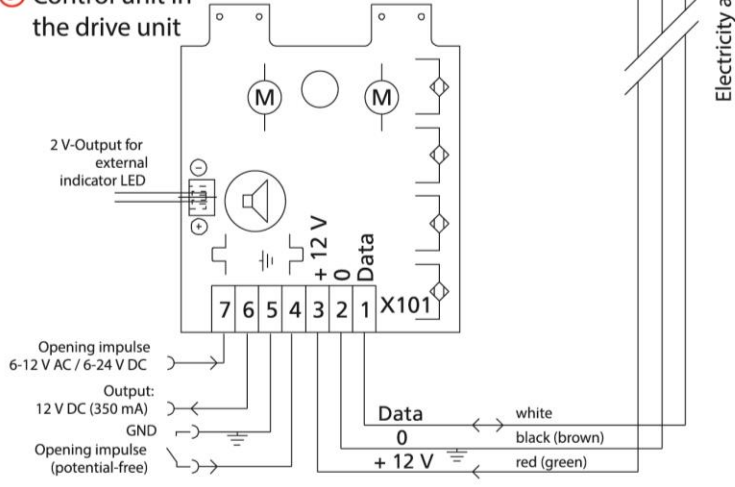


Figure 1:
Electronic Door Wiring Layout
(Illustration Purposes Only)