

ASSEMBLY / PARTS LIST (B.O.M.)

Series: 3900-T
Type: OO/HO Hinged

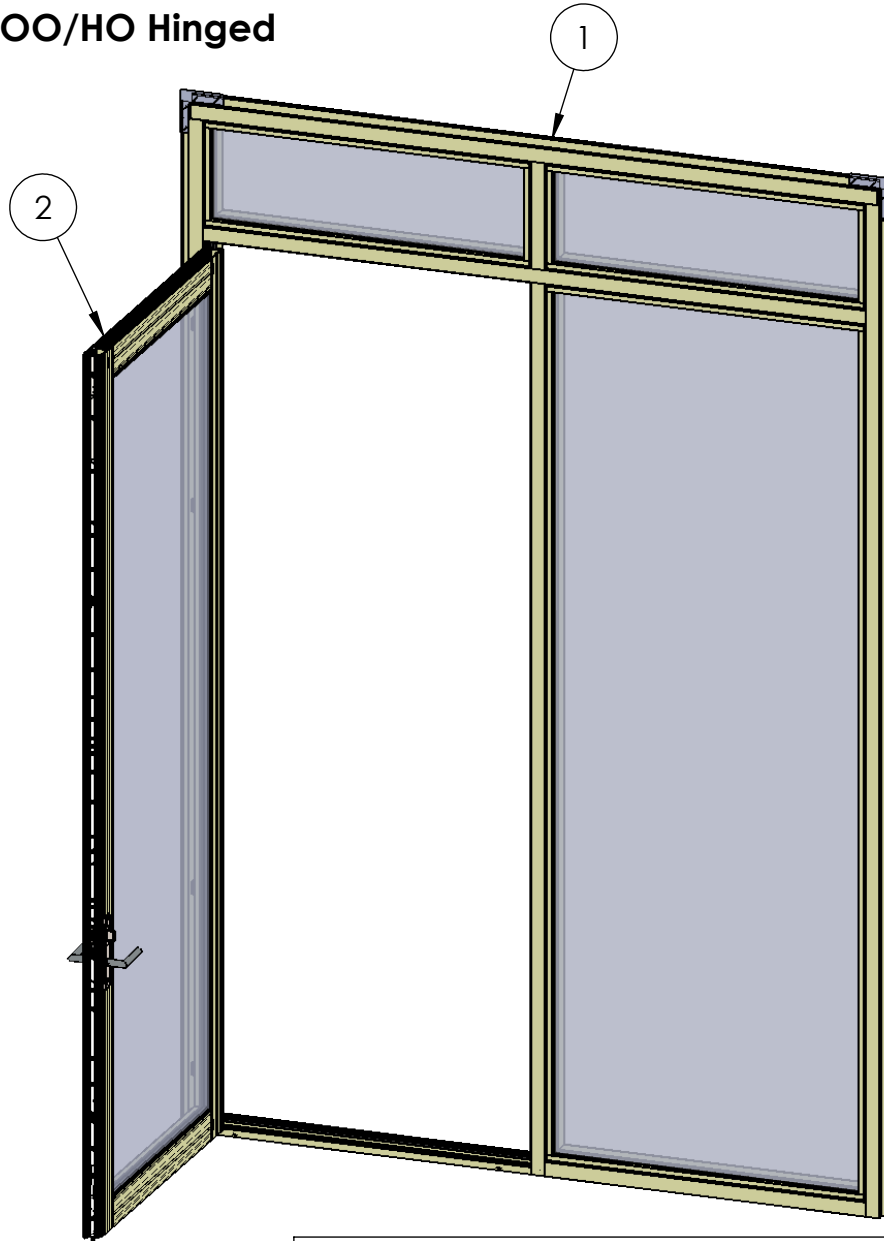


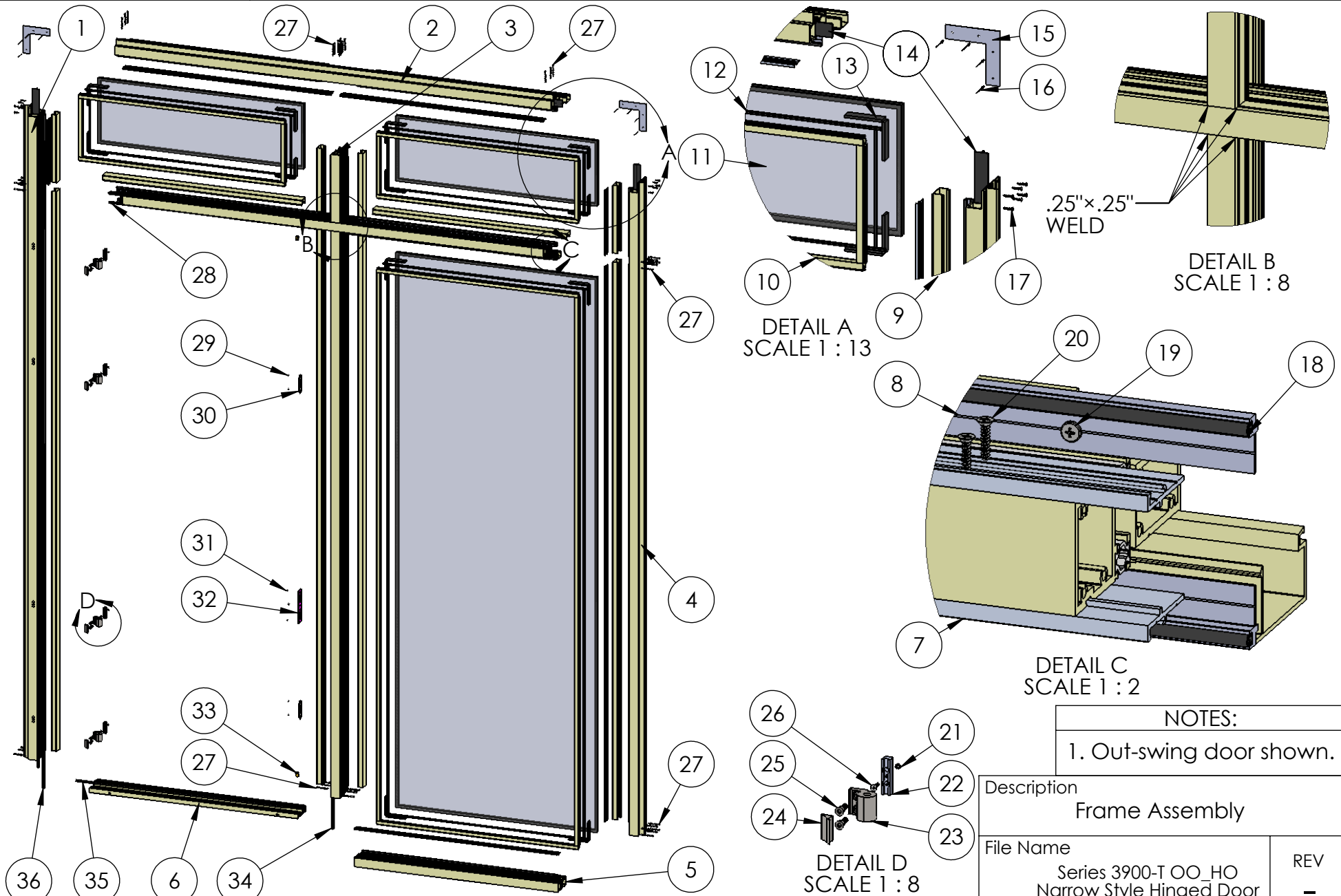
TABLE OF CONTENTS			
ITEM NO.	DESCRIPTION	QTY.	PAGE #
1	Frame Assembly	1	2-3
2	Active Panel (Left Shown)	1	4-5

NOTES:
 1. Out-swing door shown.

Description Table of Contents	
File Name Series 3900-T OO_HO Narrow Style Hinged Door	REV -
Released 9/28/2017	SHEET 1 OF 5

PROPRIETARY AND CONFIDENTIAL
 THE INFORMATION CONTAINED IN THIS DRAWING IS THE SOLE PROPERTY OF FLEETWOOD WINDOWS & DOORS.
 ANY REPRODUCTION IN PART OR AS A WHOLE WITHOUT THE WRITTEN PERMISSION OF FLEETWOOD WINDOWS & DOORS IS PROHIBITED.

ASSEMBLY / PARTS LIST (B.O.M.)



NOTES:
1. Out-swing door shown.

Description		Frame Assembly	
File Name		Series 3900-T OO_HO	REV
		Narrow Style Hinged Door	-
Released	9/28/2017	SHEET 2 OF 5	

PROPRIETARY AND CONFIDENTIAL
THE INFORMATION CONTAINED IN THIS DRAWING IS THE SOLE PROPERTY OF FLEETWOOD WINDOWS & DOORS.
ANY REPRODUCTION IN PART OR AS A WHOLE WITHOUT THE WRITTEN PERMISSION OF FLEETWOOD WINDOWS & DOORS IS PROHIBITED.



ASSEMBLY / PARTS LIST (B.O.M.)

EXTRUSIONS			
ITEM NO.	PART NUMBER	DESCRIPTION	QTY. (AS SHOWN)
1	3921,3921,3923	Jamb (Block,Out-Swing,In-Swing)	1
2	3921,3921,3923	Head (Block,Out-Swing,In-Swing)	1
3	3913	Frame Tee Bar Assembly	1
4	3921,3921,3923	Jamb (Block,Out-Swing,In-Swing)	1
5	3921,3921,3923	Sill (Block,Out-Swing,In-Swing)	1
6	3904,3202,3510	Std. Sill(In-Swing,Out-Swing,ADA)	1
7	3915	Glass Stop Adapter (against window)	12
8	3917	Glass Adapter (against frame)	12
9	3912	Snap-in	12
10	3907	1" Glass Stop (Shown)	4

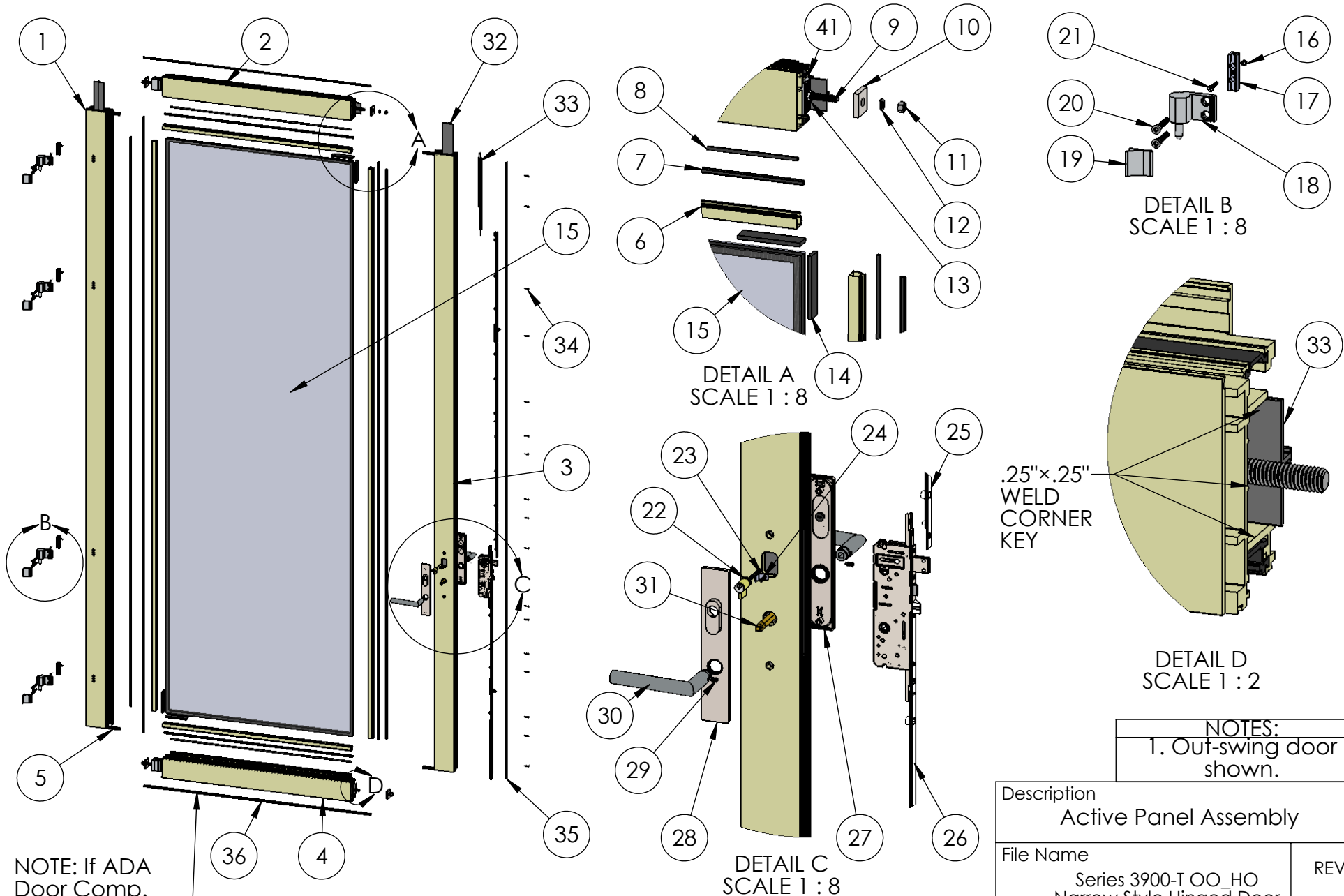
HARDWARE			
ITEM NO.	PART NUMBER	DESCRIPTION	QTY. (AS SHOWN)
11	-	Glass	3
12	25031	Bulb Vinyl-Large	12
13	18620	Setting Block 4" x 1/4"x1"	24
14	24888	Frame Thermal Barrier	3
15	18629	Nail-Fin Corner	2
16	25504	Pop Rivet	8
17	20350	No. 10 Screw, PHP 1 in.	12
18	25199	Mini Bulb Vinyl	3
19	20308	No. 8 PHP Self Tapping Screw, .5", S.S.	Varies
20	20235	No. 6 FHP Self Tapping Screw, 1"	Varies
21	(Shipped with 20535)	Machine Screw Hex Nut 10-32	4
22	20535	Hinge Back Up Block	4
23	23223(CI) .23387(Mill), 23388(Blk)	Savio-2 Wings Hinge - Frame Portion	4
24	(shipped with 20535)	Savio-2 wing hinge-R wing cover	4
25	(shipped with 20535)	FH Socket Cap Screw .312-24, 1.1"	8

HARDWARE			
ITEM NO.	PART NUMBER	DESCRIPTION	QTY. (AS SHOWN)
26	25073	No. 10-32 Screw, FHP, .750"	4
27	25075	No. 10 Screw, PHP, 2.5 In	41
28	25058	Q-Lon Foam Seal (at Head)	1
29	20240	FHP Sheet Metal UC Screw No. 8 Size, 0.5 Length	4
30	25056	Tongue Strike	2
31	20275	Screw No 10, FHP Undercut .50 In.	3
32	24993	Latch-Deadbolt Strike Plate	1
33	20542	Shootbolt Cup	2
34	25189	Q-Lon Foam Seal (Q225T190)	1
35	25059	Q-Lon Foam Seal (at Sill and Hinged Jamb)	1
36	25199	Mini Bulb Vinyl (at Door Jambs)	4

Description	
Frame B.O.M.	
File Name	REV
Series 3900-T OO_HO Narrow Style Hinged Door	-
Released 9/28/2017	SHEET 3 OF 5

PROPRIETARY AND CONFIDENTIAL
 THE INFORMATION CONTAINED IN THIS DRAWING IS THE SOLE PROPERTY OF FLEETWOOD WINDOWS & DOORS.
 ANY REPRODUCTION IN PART OR AS A WHOLE WITHOUT THE WRITTEN PERMISSION OF FLEETWOOD WINDOWS & DOORS IS PROHIBITED.

ASSEMBLY / PARTS LIST (B.O.M.)



NOTE: If ADA Door Comp. #23229 bottom seal only

PROPRIETARY AND CONFIDENTIAL
THE INFORMATION CONTAINED IN THIS DRAWING IS THE SOLE PROPERTY OF FLEETWOOD WINDOWS & DOORS.
ANY REPRODUCTION IN PART OR AS A WHOLE WITHOUT THE WRITTEN PERMISSION OF FLEETWOOD WINDOWS & DOORS IS PROHIBITED.

NOTES:
1. Out-swing door shown.

Description	
Active Panel Assembly	
File Name	REV
Series 3900-T OO_HO Narrow Style Hinged Door	-
Released	SHEET 4 OF 5
9/28/2017	



ASSEMBLY / PARTS LIST (B.O.M.)

EXTRUSIONS

ITEM NO.	PART NUMBER	DESCRIPTION	QTY. (AS SHOWN)
1	3902	L Panel, Hinge Rail	1
2	3902	Top Rail	1
3	3902	SASH ASSEMBLY	1
4	3902	Bottom Rail	1
5	3916	Seal Clip (One per corner)	4
6	3907,3908	1" Glass Stop Shown (1.5")	4

HARDWARE

ITEM NO.	PART NUMBER	DESCRIPTION	QTY. (AS SHOWN)
7	25031	Bulb Vinyl-Large (On Glass Stop)	2
8	25199	Mini Bulb Seal (at Panel)	2
9	25175	.375-16 S.S. Hex Head Cap Screw, 2.25", Full Thread	4
10	25025	Back up Plate for Panel	4
11	25023	.375-16 Stainless Steel Hex Nut	4
12	25024	.375 Split Lock Washer	4
13	25176	.375-16 Stainless Steel Hex Nut, .5625 Wt, .218 Ht	4
14	18620	Setting Block 4" x 1/4"x1"	4
15	-	Glass	1
16	(Shipped with 20535)	Machine Screw Hex Nut 10-32	4
17	20535	Hinge Back Up Block	4
18	23223(CI) .23387(Mill), 23388(Blk)	Savio-2 Wings Hinge-Panel Portion	4
19	(Shipped with Hinge)	Savio-2 wing hinge-L wing Cover	4
20	25026	FH Socket Cap Screw .312-24, 1.89"	8
21	25074	No. 10-32 FHP Screw, 1.125"	4
22	25063	Rim Cylinder	1
23	25187	L-Clip	1
24	(Shipped w/ Escutcheon Plate)	Screw M4, 20 mm	1
25	See Table A	Upper Bar Assembly	1
26	25039	Active Lower Gear Assembly, 41.35	1

HARDWARE

ITEM NO.	PART NUMBER	DESCRIPTION	QTY. (AS SHOWN)
27	25061	SS. Escutcheon-Faceplate with Thumbturn (Default)	1
28	25062	SS. Escutcheon-Faceplate with Cylinder Collar (Default)	1
29	(Shipped with Handle)	Socket Set Screw .250-20, .375"	2
30	23654	FSB_1076 Lever (Default)	2
31	23203	Spindle	1
32	24887	Panel Thermal Barrier	3
33	25054	Shootbolt	1
34	20247	No. 8, FHP Screw, 1 in.	See Table A
35	25189	Q-Lon Foam Seal (Q225T190)	2
36	25196	Q-Lon Foam Seal (on Top and Bottom Rails)	2
41	25167	Corner Block	4

TABLE A: ACTIVE UPPER BAR ASSEMBLY HEIGHT

PANEL HEIGHT	COMPONENT NUMBER	SCREW/QTY.
71"-79"	25040	12
73"-81"	25041	12
81"-89"	25042	13
89"-97"	25043	14
97"-105"	25044	15
105"-113"	25045	16
113"-121"	25046,25043	19
121"-129"	25046,25044	20
129"-135"	25046,25045	21

Description
Active Panel B.O.M.

File Name
Series 3900-T OO_HO
Narrow Style Hinged Door

REV
-

PROPRIETARY AND CONFIDENTIAL

THE INFORMATION CONTAINED IN THIS DRAWING IS THE SOLE PROPERTY OF FLEETWOOD WINDOWS & DOORS.
ANY REPRODUCTION IN PART OR AS A WHOLE WITHOUT THE WRITTEN PERMISSION OF FLEETWOOD WINDOWS & DOORS IS PROHIBITED.

Released 9/28/2017

SHEET 5 OF 5