

ASSEMBLY / PARTS LIST (B.O.M.)

Series: 3900-T
Type: HH Hinged

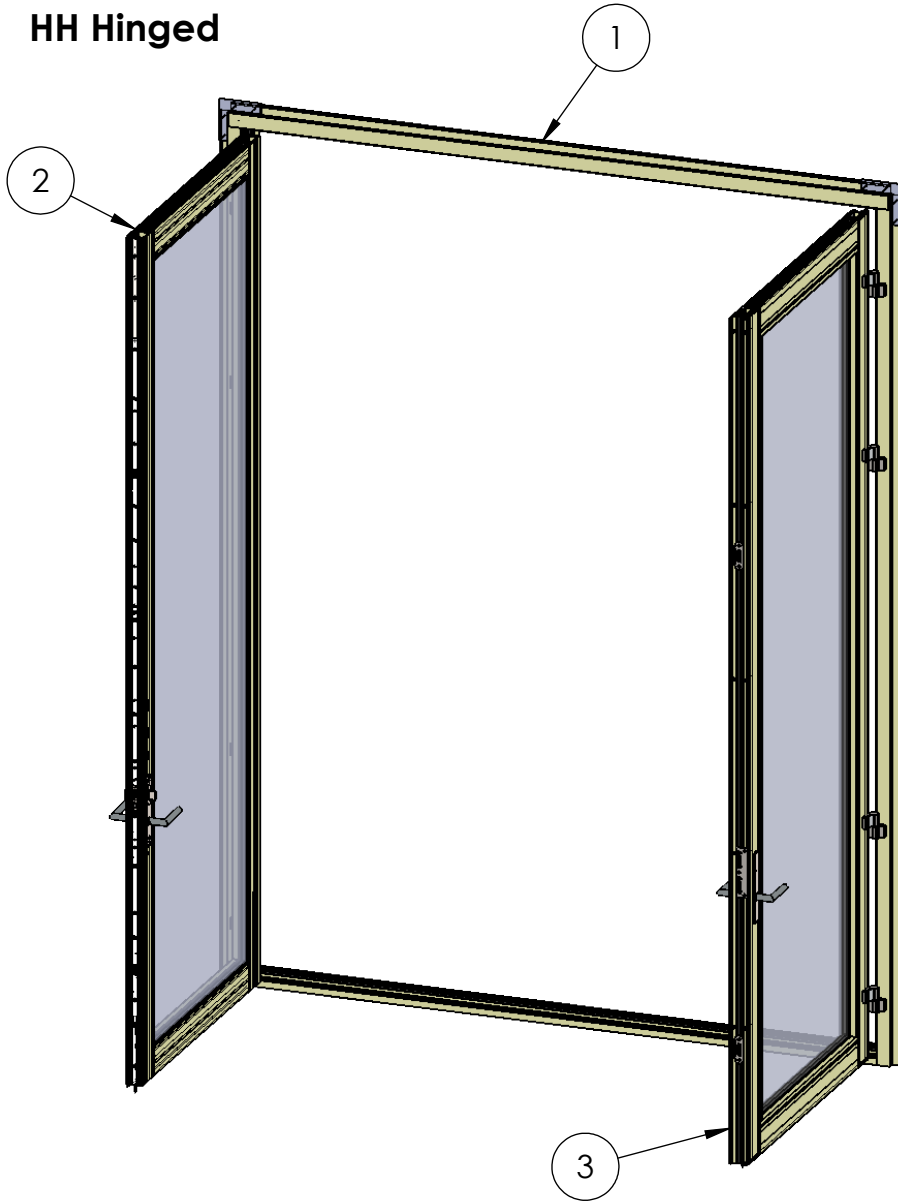


TABLE OF CONTENTS

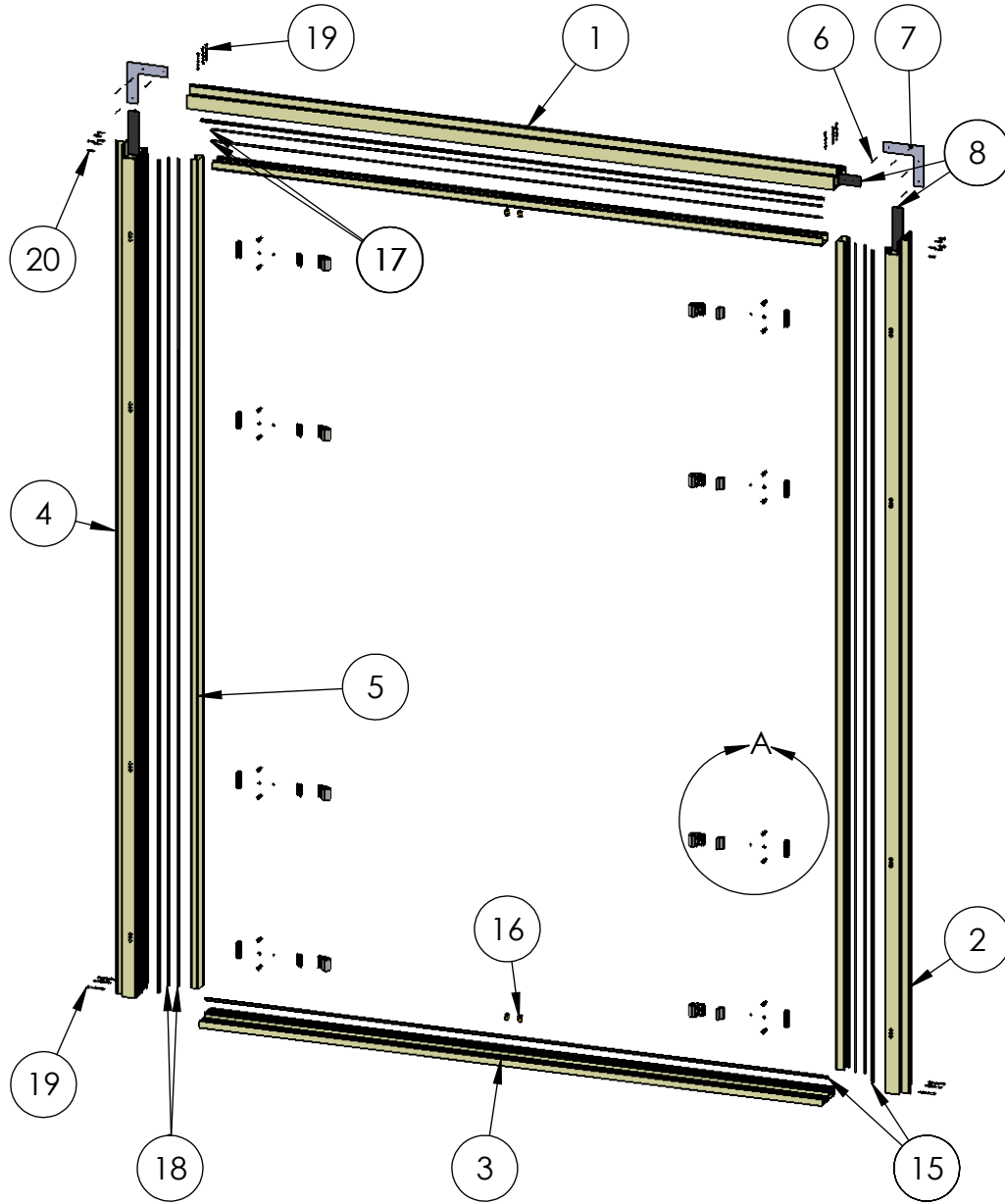
ITEM NO.	DESCRIPTION	QTY.	PAGE #
1	Frame Assembly	1	2
2	Active Panel Assembly (Left Shown)	1	3-4
3	In-Active Panel (Right Shown)	1	5-6

NOTES:

1. Out-swing door configuration shown.

Description Table of Contents	
File Name Series 3900-T HH Hinged Door	REV -
Released 9/28/2017	SHEET 1 OF 6

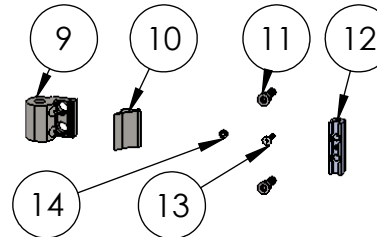
ASSEMBLY / PARTS LIST (B.O.M.)



EXTRUSIONS			
ITEM NO.	PART NUMBER	DESCRIPTION	QTY. (AS SHOWN)
1	3921,3922,3923	Head (Block,Out-Swing,In-Swing)	1
2	3921,3922,3923	Jamb (Block,Out-Swing,In-Swing)	1
3	3904, 3202,3510	Std. Sill (Out-Swing, In-Swing, ADA Sill)	1
4	3921,3922,3923	Jamb (Block,Out-Swing,In-Swing)	1
5	3912	Snap-in	3

HARDWARE			
ITEM NO.	PART NUMBER	DESCRIPTION	QTY. (AS SHOWN)
6	25504	Pop Rivet	8
7	18629	Nail-Fin Corner	2
8	24888	Frame Thermal Barrier	3
9	23223(CI) .23387(Mill), 23388(Blk)	Savio-2 Wings Hinge - Frame Portion	8
10	(shipped with 20535)	Savio-2 wing hinge-R wing cover	8
11	(shipped with 20535)	FH Socket Cap Screw .312-24, 1.1"	16
12	20535	Hinge Back Up Block	8
13	25073	No. 10-32 Screw, FHP, .750"	8
14	(Shipped with 20535)	Machine Screw Hex Nut 10-32	8
15	25059	Q-Lon Foam Seal	1
16	20542	Shootbolt Cup	4
18	25199	Mini Bulb Vinyl	6
19	25075	No. 10 Screw, PHP, 2.5 In	12
20	20350	No. 10 Screw, PHP 1 in.	12

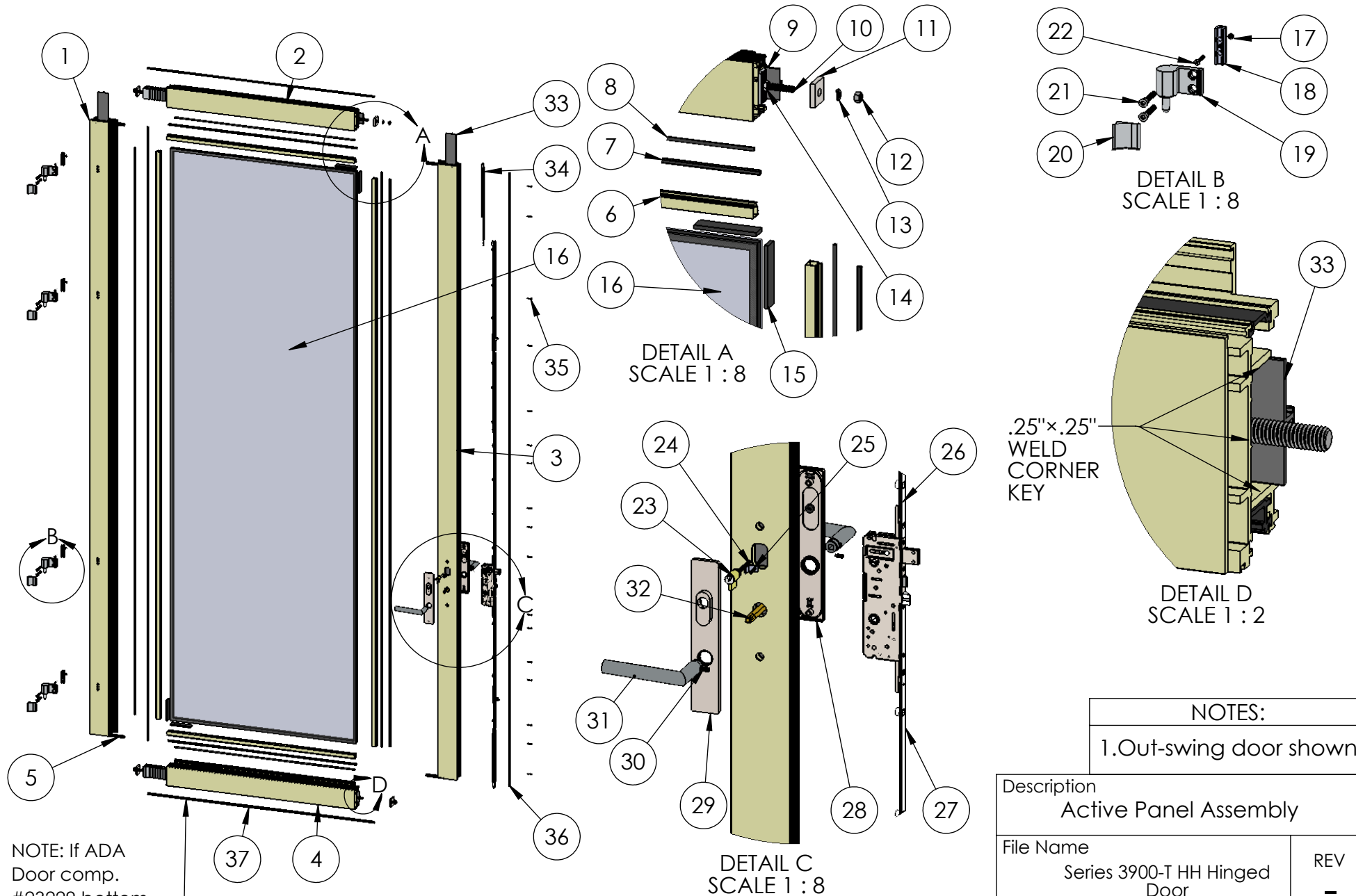
DETAIL A
SCALE 1 : 8



Description Frame Assembly	
File Name Series 3900-T HH Hinged Door	REV -
Released 9/28/2017	SHEET 2 OF 6

PROPRIETARY AND CONFIDENTIAL
THE INFORMATION CONTAINED IN THIS DRAWING IS THE SOLE PROPERTY OF FLEETWOOD WINDOWS & DOORS.
ANY REPRODUCTION IN PART OR AS A WHOLE WITHOUT THE WRITTEN PERMISSION OF FLEETWOOD WINDOWS & DOORS IS PROHIBITED.

ASSEMBLY / PARTS LIST (B.O.M.)



NOTE: If ADA Door comp. #23229 bottom seal only.

PROPRIETARY AND CONFIDENTIAL
THE INFORMATION CONTAINED IN THIS DRAWING IS THE SOLE PROPERTY OF FLEETWOOD WINDOWS & DOORS.
ANY REPRODUCTION IN PART OR AS A WHOLE WITHOUT THE WRITTEN PERMISSION OF FLEETWOOD WINDOWS & DOORS IS PROHIBITED.

NOTES:
1. Out-swing door shown

Description Active Panel Assembly	
File Name Series 3900-T HH Hinged Door	REV -
Released	9/28/2017
SHEET 3 OF 6	



ASSEMBLY / PARTS LIST (B.O.M.)

EXTRUSIONS

ITEM NO.	PART NUMBER	DESCRIPTION	QTY. (AS SHOWN)
1	3902	L Panel, Hinge Rail	1
2	3902	Top Rail	1
3	3903	Lock Rail	1
4	3902	Bottom Rail	1
5	3916	Seal Clip (One per corner)	4
6	3907	1" Glass Stop (Shown)	4

HARDWARE

ITEM NO.	PART NUMBER	DESCRIPTION	QTY. (AS SHOWN)
7	25031	Bulb Vinyl-Large (On Glass Stop)	4
8	25199	Mini Bulb Seal (at Panel)	4
9	25167	Corner Block	4
10	25175	.375-16 S.S. Hex Head Cap Screw, 2.25", Full Thread	4
11	25025	Back up Plate for Panel	4
12	25023	.375-16 Stainless Steel Hex Nut	4
13	25024	.375 Split Lock Washer	4
14	25176	.375-16 Stainless Steel Hex Nut, .5625 Wt, .218 Ht	4
15	18620	Setting Block 4" x 1/4"x1"	4
16	-	Glass	1
17	(Shipped with 20535)	Machine Screw Hex Nut 10-32	4
18	20535	Hinge Back Up Block	4
19	23223(CI), 23387(Mill), 23388(Blk)	Savio-2 Wings Hinge-Panel Portion	4
20	(Shipped with Hinge)	Savio-2 wing hinge-L wing Cover	4
21	25026	FH Socket Cap Screw .312-24, 1.89"	8
22	25074	No. 10-32 FHP Screw, 1.125"	4
23	25063	Rim Cylinder	1
24	25187	L-Clip	1
25	(Shipped with Escutcheon Plate)	Screw M4, 20 mm	1
26	See Table A	Upper Bar Assembly	1
27	25039	Active Lower Gear Assembly, 41.35	1

HARDWARE

ITEM NO.	PART NUMBER	DESCRIPTION	QTY. (AS SHOWN)
28	25061	SS. Escutcheon-Faceplate with Thumbturn (Default)	1
29	25062	SS. Escutcheon-Faceplate with Cylinder Collar	1
30	(Shipped with Handle)	Socket Set Screw .250-20, .375"	2
31	23654	FSB_1076 Lever (Default)	2
32	23203	Spindle	1
33	24887	Panel Thermal Barrier	2
34	25054	Shootbolt	1
35	20247	No. 8, FHP Screw, 1 in.	See Table A
36	25189	Q-Lon Foam Seal (Q225T190)	2
37	25196	Q-Lon Foam Seal (Top, Bottom and Side Rails)	4

TABLE A: ACTIVE UPPER BAR ASSEMBLY HEIGHT

PANEL HEIGHT	COMPONENT NUMBER	SCREW/QTY.
71"-79"	25040	12
73"-81"	25041	12
81"-89"	25042	13
89"-97"	25043	14
97"-105"	25044	15
105"-113"	25045	16
113"-121"	25046,25043	19
121"-129"	25046,25044	20
129"-135"	25046,25045	21

Description
Active Panel B.O.M.

File Name
Series 3900-T HH Hinged Door

REV
-

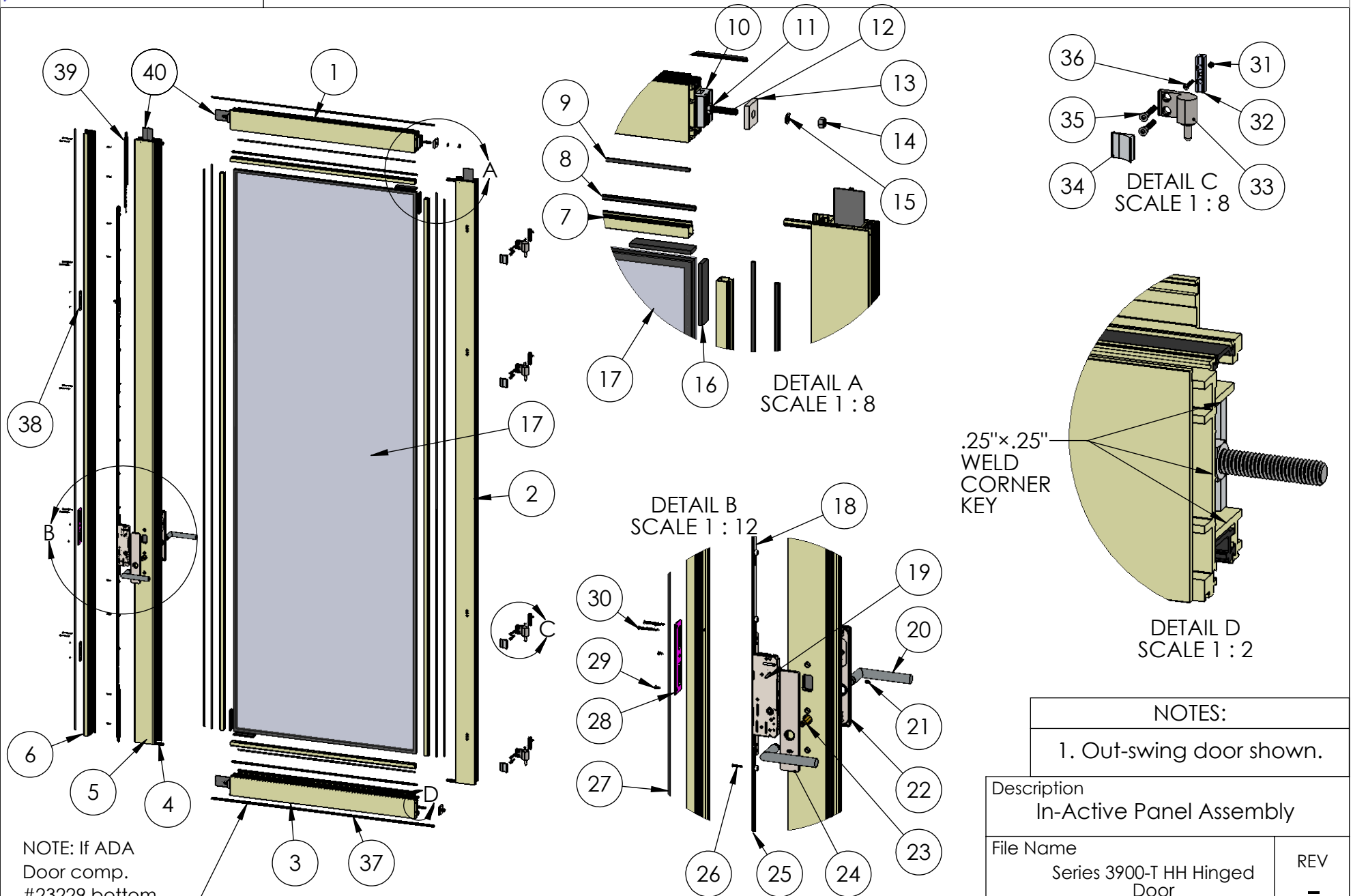
PROPRIETARY AND CONFIDENTIAL

THE INFORMATION CONTAINED IN THIS DRAWING IS THE SOLE PROPERTY OF FLEETWOOD WINDOWS & DOORS. ANY REPRODUCTION IN PART OR AS A WHOLE WITHOUT THE WRITTEN PERMISSION OF FLEETWOOD WINDOWS & DOORS IS PROHIBITED.

Released 9/28/2017

SHEET 4 OF 6

ASSEMBLY / PARTS LIST (B.O.M.)



NOTE: If ADA Door comp. #23229 bottom seal only.

PROPRIETARY AND CONFIDENTIAL
THE INFORMATION CONTAINED IN THIS DRAWING IS THE SOLE PROPERTY OF FLEETWOOD WINDOWS & DOORS.
ANY REPRODUCTION IN PART OR AS A WHOLE WITHOUT THE WRITTEN PERMISSION OF FLEETWOOD WINDOWS & DOORS IS PROHIBITED.

NOTES:

1. Out-swing door shown.

Description In-Active Panel Assembly	
File Name Series 3900-T HH Hinged Door	REV -
Released	9/28/2017
SHEET 5 OF 6	



ASSEMBLY / PARTS LIST (B.O.M.)

EXTRUSIONS			
ITEM NO.	PART NUMBER	DESCRIPTION	QTY. (AS SHOWN)
1	3902	Top Rail	1
2	3902	Right Panel, Hinge Rail	1
3	3902	Bottom Rail	1
4	3916	Seal Clip	2
5	3903	Right Panel - Lock Rail	1
6	3905	Astragal	1
7	3907,3908	1" Glass Stop Shown (1.5")	4

HARDWARE			
ITEM NO.	PART NUMBER	DESCRIPTION	QTY. (AS SHOWN)
8	25031	Bulb Vinyl-Large (On Glass Stop)	2
9	25199	Mini Bulb Seal (at Panel)	2
10	26167	Corner Block	4
11	25176	.375-16 Stainless Steel Hex Nut, .5625 Wt, .218 Ht	4
12	25175	.375-16 S.S. Hex Head Cap Screw, 2.25", Full Thread	4
13	25025	Back up Plate for Panel	4
14	25023	.375-16 Stainless Steel Hex Nut	4
15	25024	.375 Split Lock Washer	4
16	18620	Setting Block 4" x 1/4"x1"	4
17	-	Glass	1
18	See Table B	Upper Bar Assembly	1
19	25057	Tailpiece	1
20	23654	FSB_1076 Lever (Default)	2
21	(Shipped with Handle)	Socket Set Screw .250-20, .375"	2
22	25061	SS. Escutcheon-Faceplate with Thumbturn (Default)	1
23	23203	Spindle	1
24	25060	SS. Escutcheon-Faceplate for Lever Only (Default)	1
25	25047	In-Active Lower Gear Assembly, 41.35"	1
26	20247	No. 8, FHP Screw, 1 in.	See Table B
27	25199	Mini Bulb Vinyl (at Jambs)	1
28	24993	Latch-Deadbolt Strike Plate	1
29	20275	Screw No. 10, .50", FHP, Undercut Head	7
30	20298	Screw NO 10, FHP 2"	10

HARDWARE			
ITEM NO.	PART NUMBER	DESCRIPTION	QTY. (AS SHOWN)
31	(Shipped with 20535)	Machine Screw Hex Nut 10-32	4
32	20535	Hinge Back Up Block	4
33	23387 (Blk.), 23223(Cl.)	Savio-2 Wings Hinge- Panel Portion	4
34	(Shipped with Hinge)	Savio-2 wing hinge-L wing Cover	4
35	25026	FH Socket Cap Screw .312-24, 1.89"	8
36	25074	No. 10-32 FHP Screw, 1.125"	4
37	25196	Q-Lon Foam Seal (on Top and Bottom Rails)	2
38	25056	Tongue Strike	2
39	25054	Shootbolt	1
40	24887	Panel Thermal Barrier	2

PANEL HEIGHT	COMPONENT NUMBER	SCREW/QTY.
71"-79"	25048	10
73"-81"	25049	11
81"-89"	25050	12
89"-97"	25051	13
97"-105"	25052	14
105"-113"	25053	16
113"-121"	25046,25051	18
121"-129"	25046,25052	19
129"-135"	25046,25053	21

Description In-Active B.O.M.	
File Name Series 3900-T HH Hinged Door	REV -
Released 9/28/2017	SHEET 6 OF 6

PROPRIETARY AND CONFIDENTIAL
 THE INFORMATION CONTAINED IN THIS DRAWING IS THE SOLE PROPERTY OF FLEETWOOD WINDOWS & DOORS.
 ANY REPRODUCTION IN PART OR AS A WHOLE WITHOUT THE WRITTEN PERMISSION OF FLEETWOOD WINDOWS & DOORS IS PROHIBITED.