

# ASSEMBLY / PARTS LIST (B.O.M.)

**Series: 3900-T**  
**Type: H Hinged**

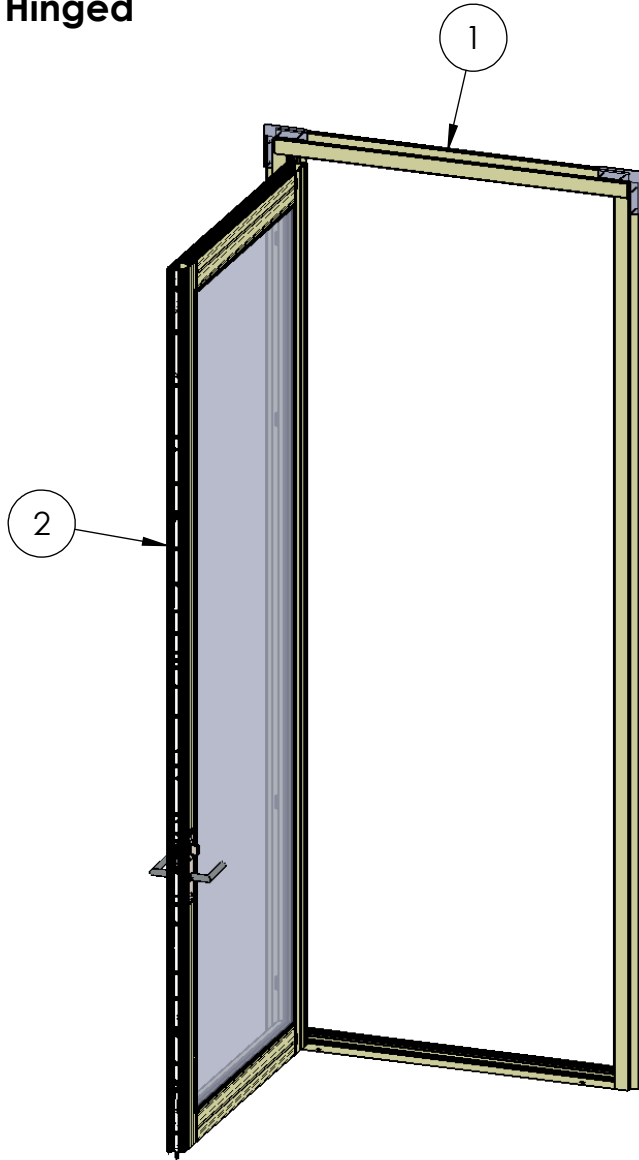


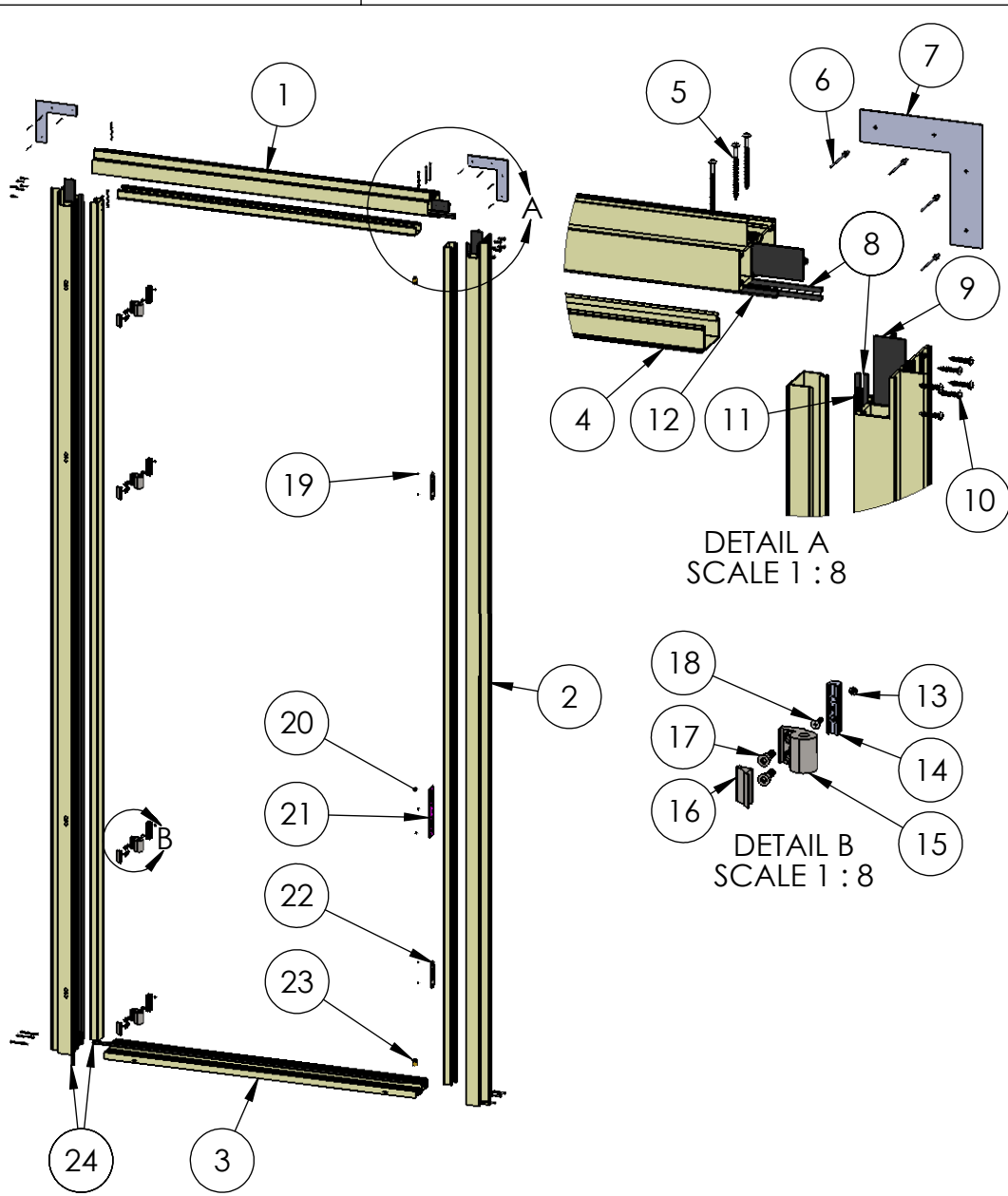
Table of Contents			
ITEM NO.	DESCRIPTION	QTY.	PAGE #
1	Frame Assembly	1	2
2	Active Panel (Left Shown)	1	3-4

**NOTES:**  
 1. Out-swing door configuration shown.

**PROPRIETARY AND CONFIDENTIAL**  
 THE INFORMATION CONTAINED IN THIS DRAWING IS THE SOLE PROPERTY OF FLEETWOOD WINDOWS & DOORS.  
 ANY REPRODUCTION IN PART OR AS A WHOLE WITHOUT THE WRITTEN PERMISSION OF FLEETWOOD WINDOWS & DOORS IS PROHIBITED.

Description Table of Contents	
File Name Series 3900-T H Hinged Door	REV -
Released 9/28/2017	SHEET 1 OF 4

# ASSEMBLY / PARTS LIST (B.O.M.)



## EXTRUSIONS

ITEM NO.	PART NUMBER	DESCRIPTION	QTY. (AS SHOWN)
1	3921,3922,3923	Head (Block,Out-Swing,In-Swing)	1
2	3921,3922,3923	Jamb (Block,Out-Swing,In-Swing)	1
3	3904,3202,3510	Std. Sill(Out-Swing, In-Swing, ADA Sill)	1
4	3912	Snap-in	3

## HARDWARE

ITEM NO.	PART NUMBER	DESCRIPTION	QTY. (AS SHOWN)
5	25075	No. 10 Screw, PHP, 2.5 In	12
6	25504	Pop Rivet	8
7	18629	Nail-Fin Corner	2
8	25199	Mini Bulb Vinyl (at Jambs)	4
9	24888	Frame Thermal Barrier	3
10	20350	No. 10 Screw, PHP 1 in.	12
11	25189	Q-Lon Foam Seal (at Latch)	1
12	25058	Q-Lon Foam Seal (at Head)	1
13	(Shipped with 20535)	Machine Screw Hex Nut 10-32	4
14	20535	Hinge Back Up Block	4
15	23223(CI), 23387(Mill), 23388(Blk)	Savio-2 Wings Hinge - Frame Portion	4
16	(shipped with 20535)	Savio-2 wing hinge-R wing cover	4
17	(shipped with 20535)	FH Socket Cap Screw .312-24, 1.1"	8
18	25073	No. 10-32 Screw, FHP, .750"	4
19	20240	FHP Sheet Metal UC Screw No. 8 Size, 0.5"	4
20	20275	Screw No 10, FHP Undercut .50 In.	3
21	24993	Latch-Deadbolt Strike Plate	1
22	25056	Tongue Strike	2
23	20542	Shootbolt Cup	2
24	25059	Q-Lon Foam Seal (at Sill and Hinge)	2

Description

Frame Assembly

File Name

Series 3900-T H Hinged Door

REV

-

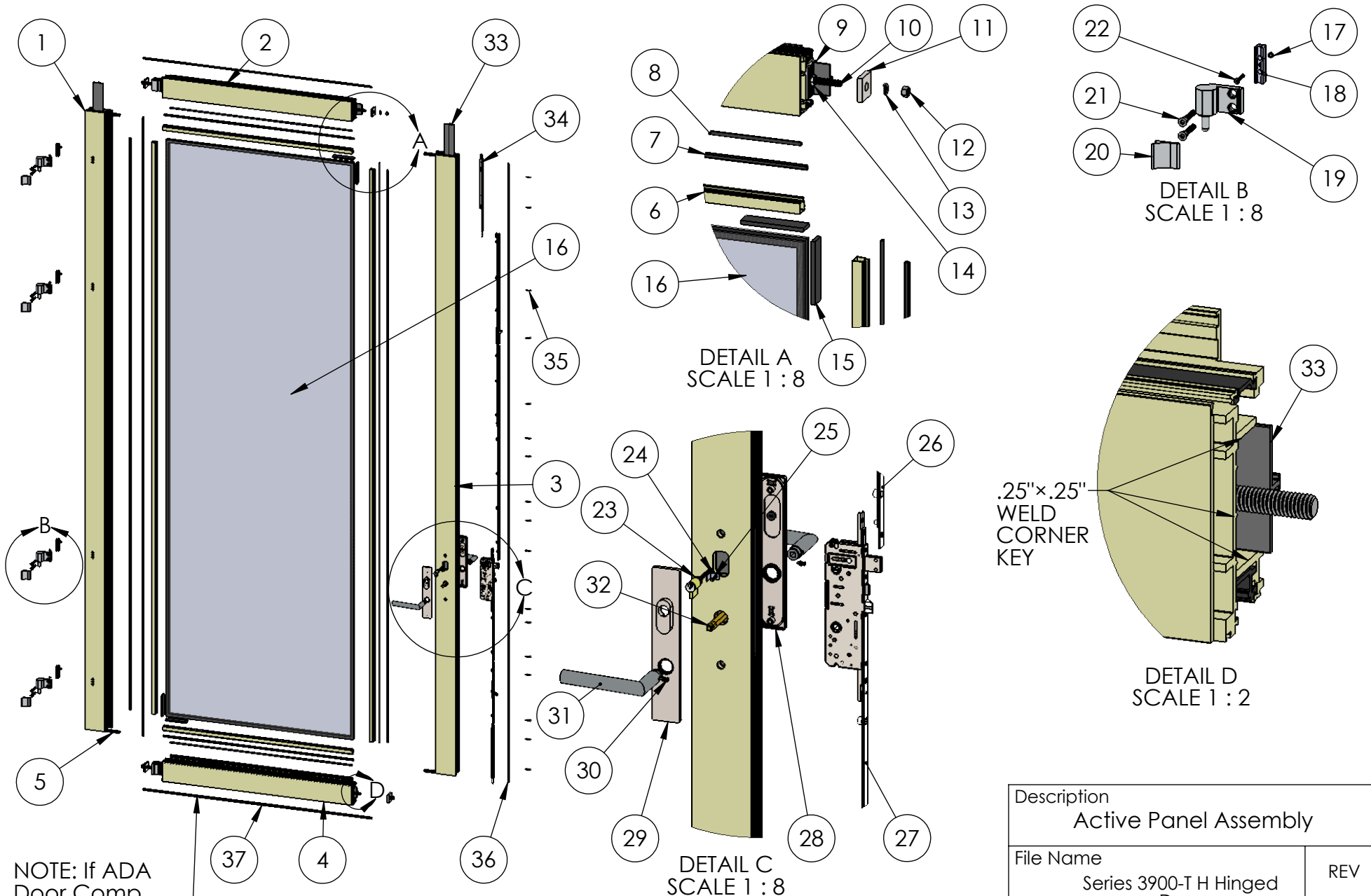
**PROPRIETARY AND CONFIDENTIAL**

THE INFORMATION CONTAINED IN THIS DRAWING IS THE SOLE PROPERTY OF FLEETWOOD WINDOWS & DOORS. ANY REPRODUCTION IN PART OR AS A WHOLE WITHOUT THE WRITTEN PERMISSION OF FLEETWOOD WINDOWS & DOORS IS PROHIBITED.

Released 9/28/2017

SHEET 2 OF 4

# ASSEMBLY / PARTS LIST (B.O.M.)



NOTE: If ADA Door Comp. #23229 bottom seal only

**PROPRIETARY AND CONFIDENTIAL**  
THE INFORMATION CONTAINED IN THIS DRAWING IS THE SOLE PROPERTY OF FLEETWOOD WINDOWS & DOORS.  
ANY REPRODUCTION IN PART OR AS A WHOLE WITHOUT THE WRITTEN PERMISSION OF FLEETWOOD WINDOWS & DOORS IS PROHIBITED.

Description Active Panel Assembly	
File Name Series 3900-T H Hinged Door	REV -
Released 9/28/2017	SHEET 3 OF 4



# ASSEMBLY / PARTS LIST (B.O.M.)

EXTRUSIONS			
ITEM NO.	PART NUMBER	DESCRIPTION	QTY. (AS SHOWN)
1	3902	L Panel, Hinge Rail	1
2	3902	Top Rail	1
3	3902	R Panel	1
4	3902	Bottom Rail	1
5	3916	Seal Clip (One per corner)	4
6	3907,3908	1" Glass Stop Shown (1.5")	4

HARDWARE			
ITEM NO.	PART NUMBER	DESCRIPTION	QTY. (AS SHOWN)
7	25031	Bulb Vinyl-Large (On Glass Stop)	2
8	25199	Mini Bulb Seal (at Panel)	2
9	25167	Corner Block	4
10	25175	.375-16 Hex Head Cap Screw, 2.25", Full Thread	4
11	25025	Back up Plate for Panel	4
12	25023	.375-16 Stainless Steel Hex Nut	4
13	25024	.375 Split Lock Washer	4
14	25176	.375-16 Stainless Steel Hex Nut, .5625 Wt, .218 Ht	4
15	18620	Setting Block 4" x 1/4"x1"	4
16	-	Glass	1
17	(Shipped with 20535)	Machine Screw Hex Nut 10-32	4
18	20535	Hinge Back Up Block	4
19	23223(Cl), 23387(Mill), 23388(Blk)	Savio-2 Wings Hinge-Panel Portion	4
20	(Shipped with Hinge)	Savio-2 wing hinge-L wing Cover	4
21	25026	FH Socket Cap Screw .312-24, 1.89"	8
22	25074	No. 10-32 FHP Screw, 1.125"	4
23	25063	Rim Cylinder	1
24	25187	L-Clip	1
25	(Shipped with Escutcheon Plate)	Screw M4, 20 mm	1
26	See Table A	Upper Bar Assembly	1
27	25039	Active Lower Gear Assembly, 41.35	1

HARDWARE			
ITEM NO.	PART NUMBER	DESCRIPTION	QTY. (AS SHOWN)
28	25061	SS. Escutcheon-Faceplate with Thumbturn (Default)	1
29	25062	SS. Escutcheon-Faceplate with Cylinder Collar (Default)	1
30	(Shipped with Handle)	Socket Set Screw .250-20, .375"	2
31	23654	FSB_1076 Lever (Default)	2
32	23203	Spindle	1
33	24887	Panel Thermal Barrier	2
34	25054	Shootbolt	1
35	20247	No. 8, FHP Screw, 1 in.	See Table A
36	25189	Q-Lon Foam Seal (Q225T190)	2
37	25196	Q-Lon Foam Seal (on Top and Bottom Rails)	2

TABLE A: ACTIVE UPPER BAR ASSEMBLY HEIGHT		
PANEL HEIGHT	COMPONENT NUMBER	SCREW/QTY.
71"-79"	25040	12
73"-81"	25041	12
81"-89"	25042	13
89"-97"	25043	14
97"-105"	25044	15
105"-113"	25045	16
113"-121"	25046,25043	19
121"-129"	25046,25044	20
129"-135"	25046,25045	21

Description Active Panel B.O.M.	
File Name Series 3900-T H Hinged Door	REV -
Released 9/28/2017	SHEET 4 OF 4

**PROPRIETARY AND CONFIDENTIAL**  
 THE INFORMATION CONTAINED IN THIS DRAWING IS THE SOLE PROPERTY OF FLEETWOOD WINDOWS & DOORS.  
 ANY REPRODUCTION IN PART OR AS A WHOLE WITHOUT THE WRITTEN PERMISSION OF FLEETWOOD WINDOWS & DOORS IS PROHIBITED.