

# ASSEMBLY / PARTS LIST (B.O.M.)

**Series: 3900-T**  
**Type: HH Outswing**

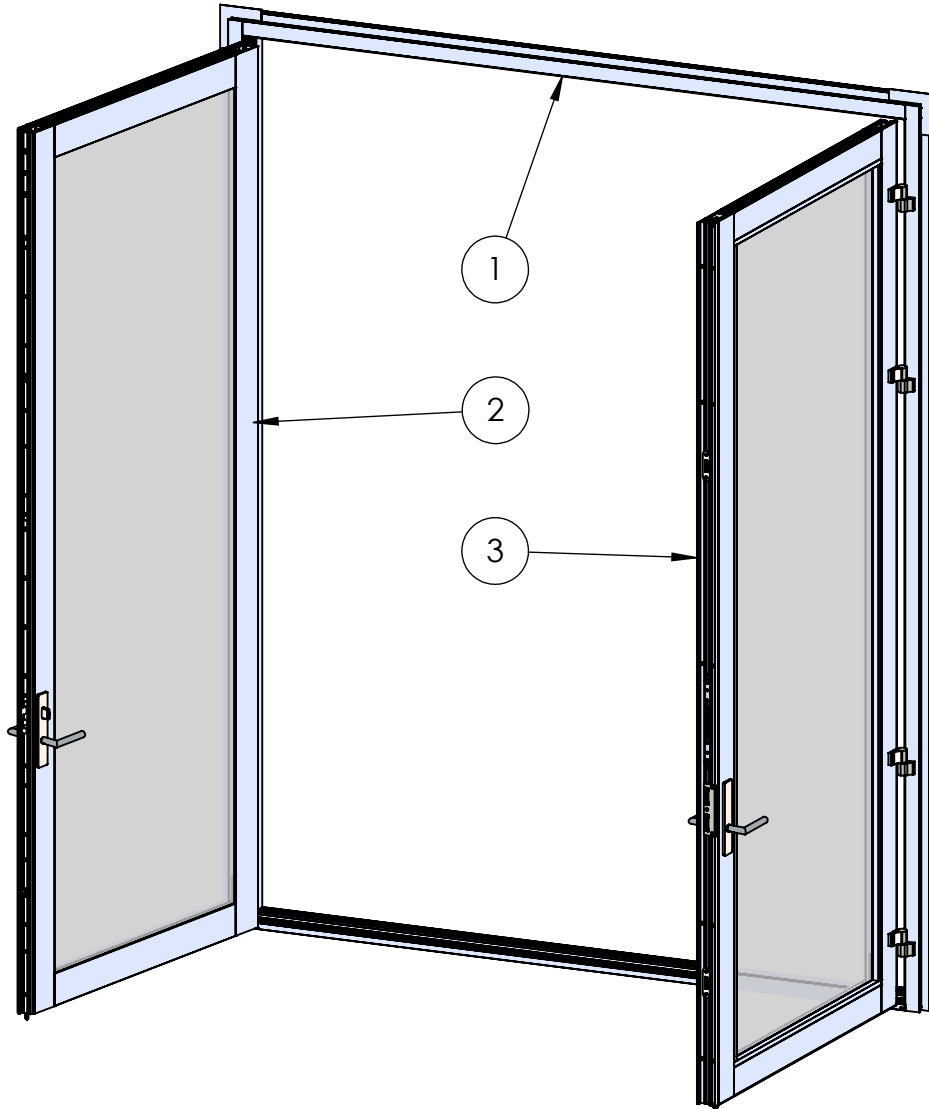
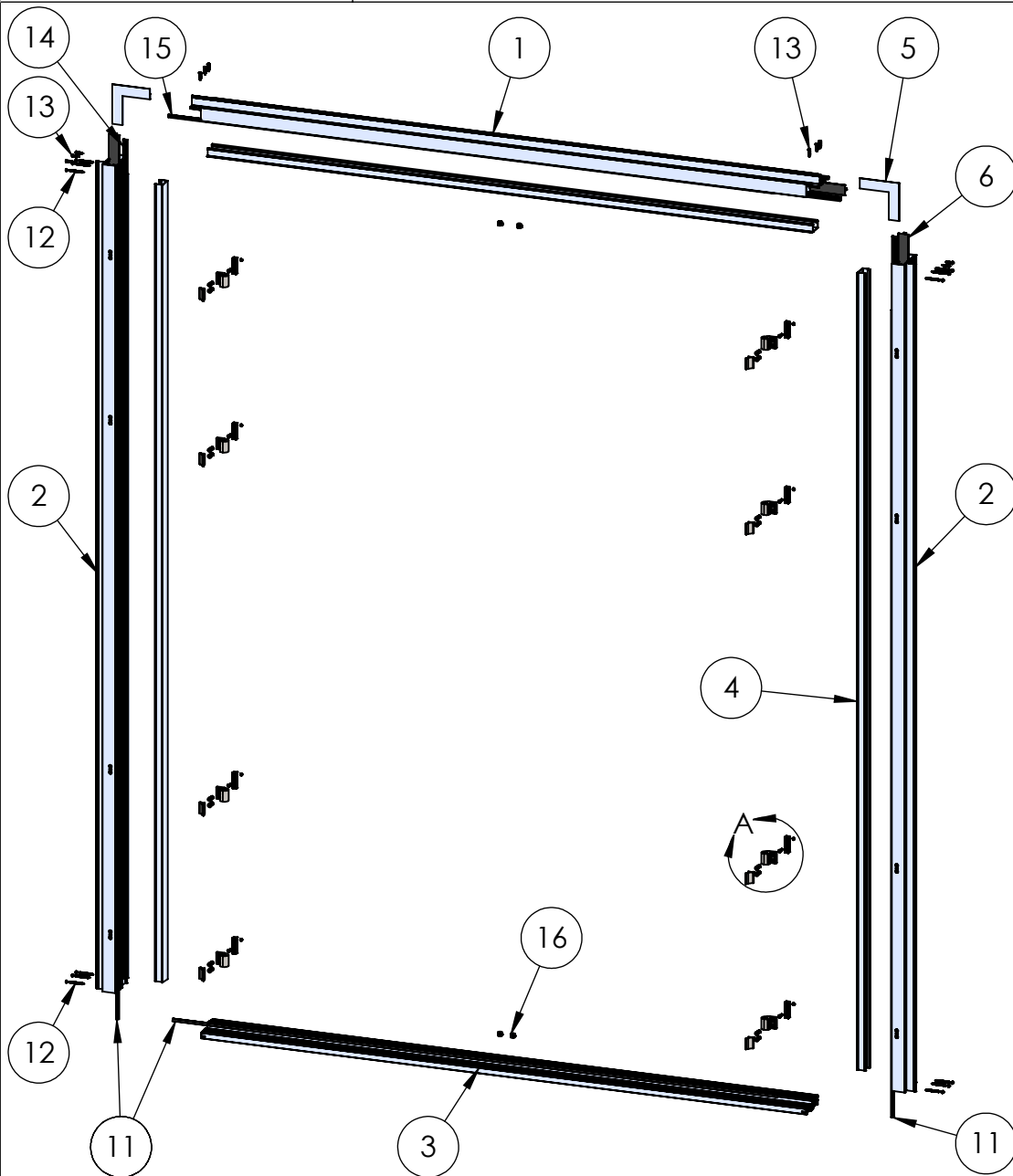


TABLE OF CONTENTS			
ITEM NO.	DESCRIPTION	QTY.	PAGE #
1	Frame Assembly	1	2
2	Active Panel	1	3-4
3	In-Active Panel	1	5-6

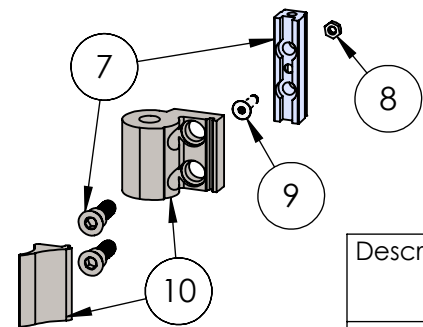
**PROPRIETARY AND CONFIDENTIAL**  
 THE INFORMATION CONTAINED IN THIS DRAWING IS THE SOLE PROPERTY OF FLEETWOOD WINDOWS & DOORS.  
 ANY REPRODUCTION IN PART OR AS A WHOLE WITHOUT THE WRITTEN PERMISSION OF FLEETWOOD WINDOWS & DOORS IS PROHIBITED.

Description Table of Contents	
File Name Series 3900-T HH Assembly	REV <b>C</b>
Released 12/6/2022	SHEET 1 OF 6

# ASSEMBLY / PARTS LIST (B.O.M.)



EXTRUSIONS			
ITEM NO.	PART NUMBER	DESCRIPTION	QTY.
1	3921, 3922, 3923	Head (Block, Out-Swing, In-Swing)	1
2	3921, 3922, 3923	Jamb (Block, Out-Swing, In-Swing)	2
3	3202	Sill (Out-Swing)	1
4	3912	Snap-in	3
HARDWARE			
5	18629	Nail-Fin Corner	2
6	24888	Frame Thermal Barrier	3
7	20535	Savio Hinge Back up Kit	4
8	26463	#10-32 Hex Nut	8
9	25073	#10-32 FHP Screw, .750"	8
10	23223, 23387, 23388	Savio Butt Hinge Set - Frame Portion (Cl, Mill, Blk)	8
11	25059	Q-Lon Foam Seal (at Sill and Hinged Jamb)	3
12	25075	#10 PHP Screw, 2.5"	12
13	20350	#10 Screw, PHP 1 in.	12
14	25199	Mini Bulb Vinyl	6
15	25058	Q-Lon Foam Seal (at Head)	1
16	20542	Shootbolt Cup	4

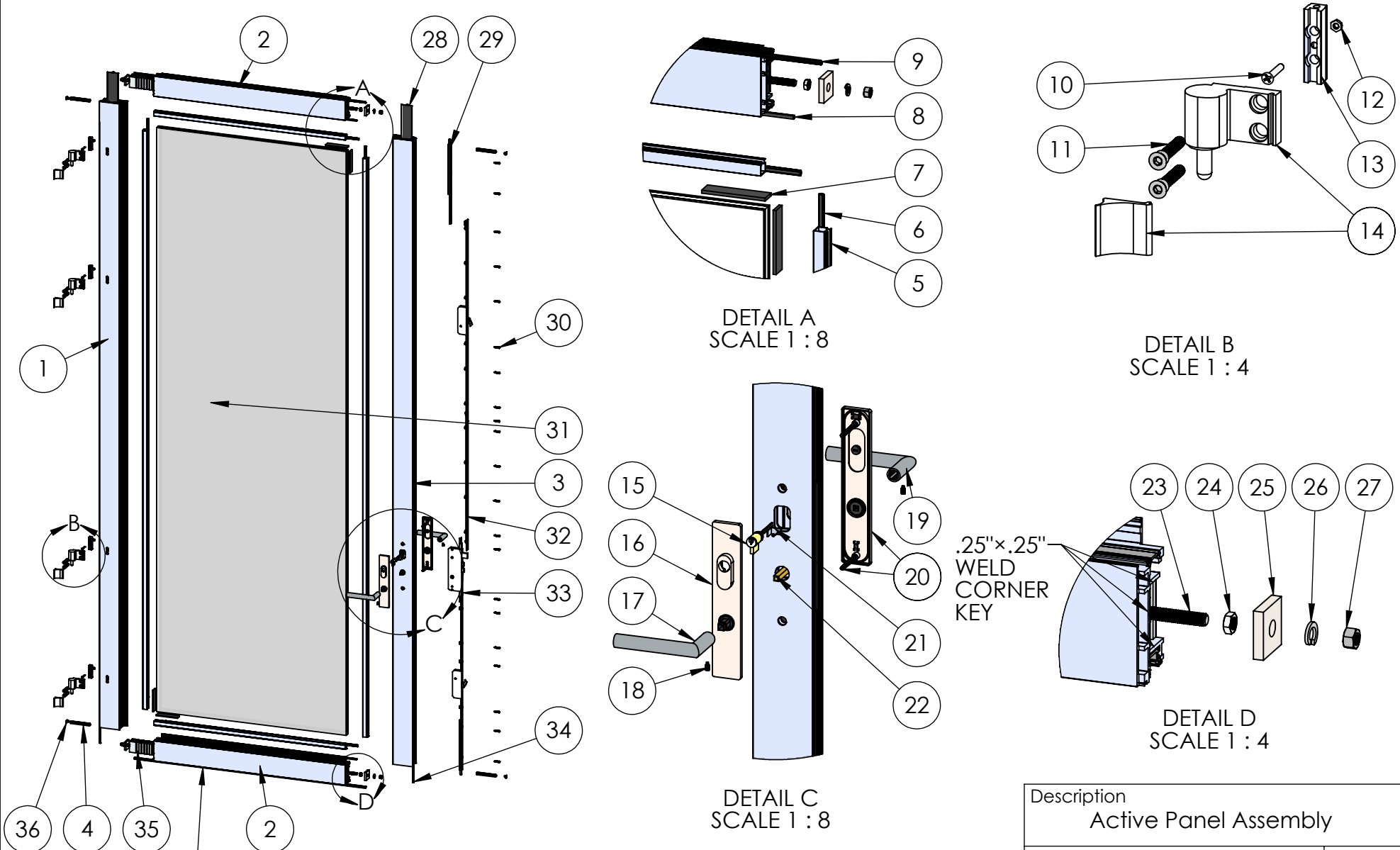


DETAIL A  
SCALE 1 : 4

**PROPRIETARY AND CONFIDENTIAL**  
THE INFORMATION CONTAINED IN THIS DRAWING IS THE SOLE PROPERTY OF FLEETWOOD WINDOWS & DOORS.  
ANY REPRODUCTION IN PART OR AS A WHOLE WITHOUT THE WRITTEN PERMISSION OF FLEETWOOD WINDOWS & DOORS IS PROHIBITED.

Description Frame Assembly	
File Name Series 3900-T HH Assembly	REV C
Released 12/6/2022	SHEET 2 OF 6

# ASSEMBLY / PARTS LIST (B.O.M.)



NOTE: If ADA Door Comp. #23229 bottom seal only

**PROPRIETARY AND CONFIDENTIAL**  
THE INFORMATION CONTAINED IN THIS DRAWING IS THE SOLE PROPERTY OF FLEETWOOD WINDOWS & DOORS.  
ANY REPRODUCTION IN PART OR AS A WHOLE WITHOUT THE WRITTEN PERMISSION OF FLEETWOOD WINDOWS & DOORS IS PROHIBITED.

Description Active Panel Assembly	
File Name Series 3900-T HH Assembly	REV <b>C</b>
Released 12/6/2022	SHEET 3 OF 6

# ASSEMBLY / PARTS LIST (B.O.M.)

EXTRUSIONS			
ITEM NO.	PART NUMBER	DESCRIPTION	QTY.
1	3902	Fixed Stile	1
2	3902	Top/Bottom Rails	2
3	3903	Active Meeting Stile	1
4	3916	Seal Clip (One per corner)	4
5	3907, 3924, 4735, 4736	Glass Stop (1", 9/16", 1.25", 1.5")	4

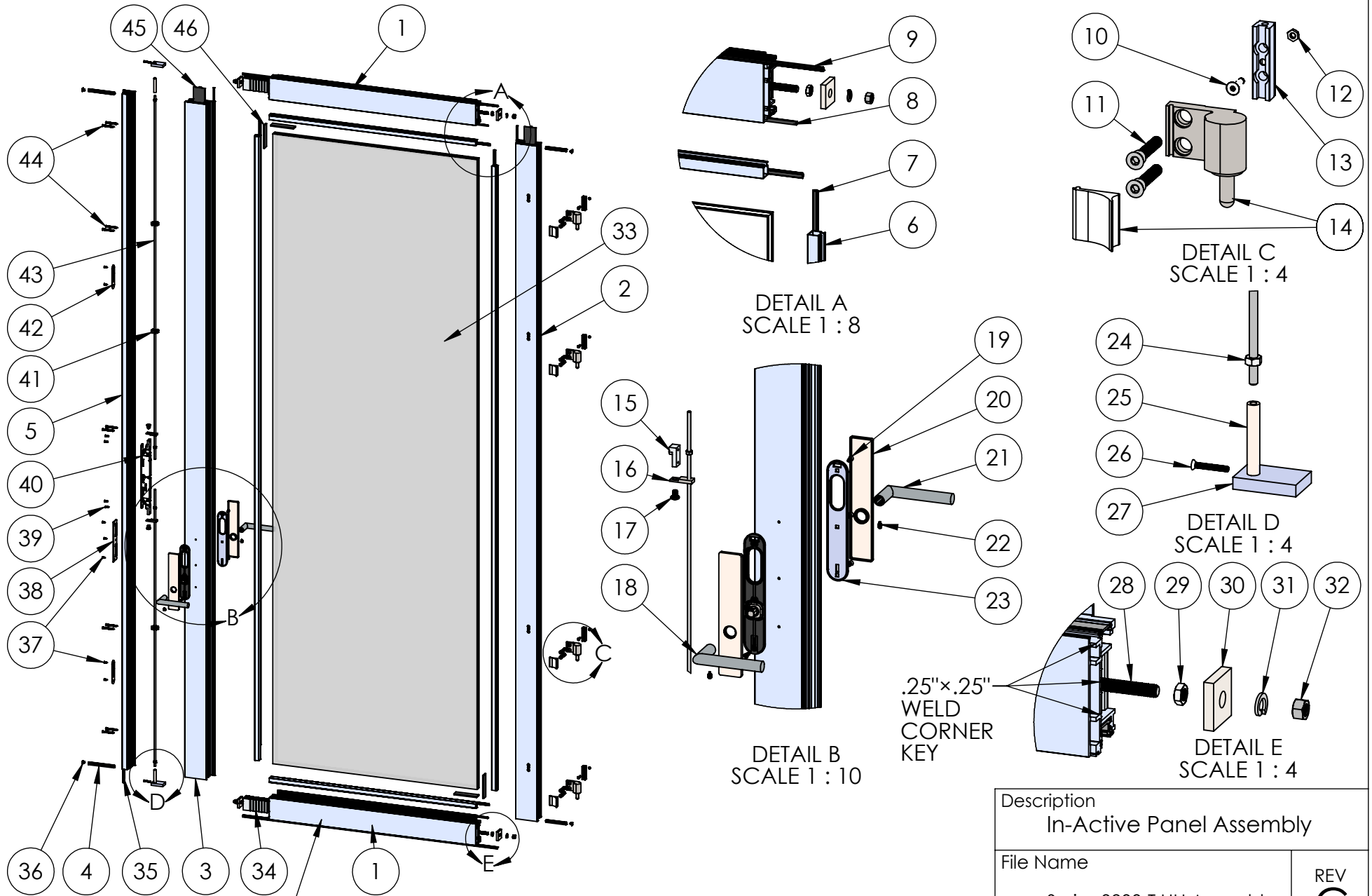
HARDWARE			
ITEM NO.	PART NUMBER	DESCRIPTION	QTY.
6	25031	Bulb Vinyl-Large	4
7	27313	Setting Block (4" x 3/16") x 1" with adhesive	4
8	25199	Mini Bulb Vinyl	4
9	25196	Q-Lon Foam Seal	2
10	25074	#10-32 FHP Screw, 1.125"	4
11	25026	FH Socket Cap Screw M8 x 48 mm	8
12	26463	#10-32 Hex Nut	4
13	20535	Savio Hinge Back up Kit	4
14	23223, 23387, 23388	Savio Butt Hinge Set - Panel Portion (Cl, Mill, Blk)	4
15	25063	Rim Cylinder	1
16	26204, 26207	Escutcheon plate w/ Cylinder Collar and L-clip screw (S.S., Black)	1
17	26190, 26192	FSB 1076 Lever LH (SS, Black)	1
18	26318	Cup-Point Set Screw M6 x 1mm	2
19	26189, 26191	FSB_1076 Lever RH (SS, Black)	1
20	26205, 26208	Escutcheon plate with Thumbturn and fastening screws (S.S., Black)	1
21	25187	L-Clip	1
22	26195	Spindle	1
23	25175	.375-16 Hex Head Cap Screw, Fully Threaded 2.25"	4
24	25176	.375-16 Stainless Steel Hex Nut	4

HARDWARE			
ITEM NO.	PART NUMBER	DESCRIPTION	QTY.
25	25025	Back up Plate for Panel	4
26	25024	.375 Split Lock Washer	4
27	25023	.375-16 Stainless Steel Hex Nut	4
28	24887	Panel Thermal Barrier	5
29	25054	Shootbolt	1
30	20247	#8 FHP Screw, 1"	21
31	-	Glass	1
32	See Table A	Upper Bar Assembly	1
33	27048	Active Lower Gear Hook Assembly, 41.35"	1
34	25189	Q-Lon Foam Seal (Q225T190)	2
35	25167	Corner Block	4
36	26684	Bottom and Top Clip Cap	4

TABLE A: ACTIVE UPPER BAR ASSEMBLY HEIGHT		
PANEL HEIGHT	COMPONENT NUMBER	SCREW QTY.
≤ 81.1875"	27050	6
81.25"-89"	27051	7
89.0625"-97"	27052	8
97.0625"-105"	27053	9
105.0625"-113"	27054	10
113.0625"-121"	25046, 27052	13
121.0625"-129"	25046, 27053	14
≥129.0625"	25046, 27054	15

Description Active Panel B.O.M.	
File Name Series 3900-T HH Assembly	REV C
Released 12/6/2022	SHEET 4 OF 6

# ASSEMBLY / PARTS LIST (B.O.M.)



NOTE: If ADA Door Comp. #23229 bottom seal only

**PROPRIETARY AND CONFIDENTIAL**  
THE INFORMATION CONTAINED IN THIS DRAWING IS THE SOLE PROPERTY OF FLEETWOOD WINDOWS & DOORS.  
ANY REPRODUCTION IN PART OR AS A WHOLE WITHOUT THE WRITTEN PERMISSION OF FLEETWOOD WINDOWS & DOORS IS PROHIBITED.

Description In-Active Panel Assembly	
File Name Series 3900-T HH Assembly	REV <b>C</b>
Released 12/6/2022	SHEET 5 OF 6



# ASSEMBLY / PARTS LIST (B.O.M.)

## EXTRUSIONS

ITEM NO.	PART NUMBER	DESCRIPTION	QTY.
1	3902	Top/Bottom Rails	2
2	3902	Hinge Stile	1
3	3903	In-Active Meeting Stile	1
4	3916	Seal Clip	4
5	3206	Astragal	1
6	3907, 3924, 4735, 4736	Glass Stop (1", 9/16", 1.25", 1.5")	4

## HARDWARE

ITEM NO.	PART NUMBER	DESCRIPTION	QTY.
7	25031	Bulb Vinyl-Large	4
8	25199	Mini Bulb Vinyl	5
9	25196	Q-Lon Foam Seal (on Top and Bottom Rails)	2
10	25073	#10-32 FHP Screw, .750"	4
11	25026	FH Socket Cap Screw M8 x 48 mm	8
12	26463	#10-32 Hex Nut	4
13	20535	Savio Hinge Back up Kit	2
14	23223, 23387, 23388	Savio-2 Wings Hinge- Panel Portion (Cl, Mill, Blk)	4
15	25206	In-Activated Gear Back Up Block	2
16	27077	Shoot Bolt Adapter	2
17	25344	PHP Machine Screw M8 Size, 12mm	2
18	26189, 26191	FSB_1076 Lever RH (SS, Black)	1
19	20286	#10 FHP-A, 3/4", SS, Clear	6
20	26206, 26209	Escutcheon Plate Lever Only (S.S., Black)	2
21	26190, 26192	FSB 1076 Lever LH (SS, Black)	1
22	26318	Cup-Point Set Screw M6 x 1mm	2
23	27041	Dummy Sub escutcheon	2

## HARDWARE

ITEM NO.	PART NUMBER	DESCRIPTION	QTY.
24	24893	1/4"-20 Hex Nut	4
25	27055	Shoot Bolt Cap	2
26	25343	#8-32 FHP Machine Screw, 1.125"	2
27	27047	Shoot Bolt Guide	2
28	25175	.375-16 Hex Head Cap Screw, Fully Threaded 2.25"	4
29	25176	.375-16 Stainless Steel Hex Nut	4
30	25025	Back up Plate for Panel	4
31	25024	.375 Split Lock Washer	4
32	25023	.375-16 Stainless Steel Hex Nut	4
33	-	Glass	1
34	25167	Corner Block	4
35	25189	Q-Lon Foam Seal (Q225T190)	2
36	26684	Bottom and Top Clip Cap	4
37	20240	#8 FHP-UC Screw, 0.5"	7
38	24993	Latch-Deadbolt Strike Plate	1
39	25497	#8-32 FHP Screw, 0.5"	4
40	25223	Lever Activated Gear, Backset 30mm	1
41	25566	Shoot Bolt Rod Guide (Spider)	3
42	27056	Jamb Hook Strike, SS (TRUTH)	2
43	27067	1/4"-20 Threaded Rod	2
44	20298	#10 FHP Screw, 2"	10
45	24887	Panel Thermal Barrier	5
46	27313	Setting Block (4" x 3/16") x 1" with adhesive	4

Description <b>In-Active B.O.M.</b>	
File Name Series 3900-T HH Assembly	REV <b>C</b>
Released 12/6/2022	SHEET 6 OF 6

**PROPRIETARY AND CONFIDENTIAL**  
 THE INFORMATION CONTAINED IN THIS DRAWING IS THE SOLE PROPERTY OF FLEETWOOD WINDOWS & DOORS.  
 ANY REPRODUCTION IN PART OR AS A WHOLE WITHOUT THE WRITTEN PERMISSION OF FLEETWOOD WINDOWS & DOORS IS PROHIBITED.