

# “THERMAL FRAME” WINDOW-WALL

The Kona system is equipped with weather-stripping tracks that secure air blocking gaskets. Storefront comes without weather-stripping and relies on the laborer to pack rubber into all seams and joints. **The natural result is uneven sightlines and gaps.** Additionally, storefront is never factory glazed but the Kona offers factory glazing on most sizes.

Perhaps the most serious issue in buying storefront is the security problem. Did you know that your glass can be removed from the exterior with a flat head screw driver and a common tool called a glass cup? **In less than five minutes, an intruder can quietly remove an entire sheet of glass and come into your home.** The glass in our windows cannot be removed except by great difficulty because we “glue” the glass to the inside of the frame where intruders cannot reach.

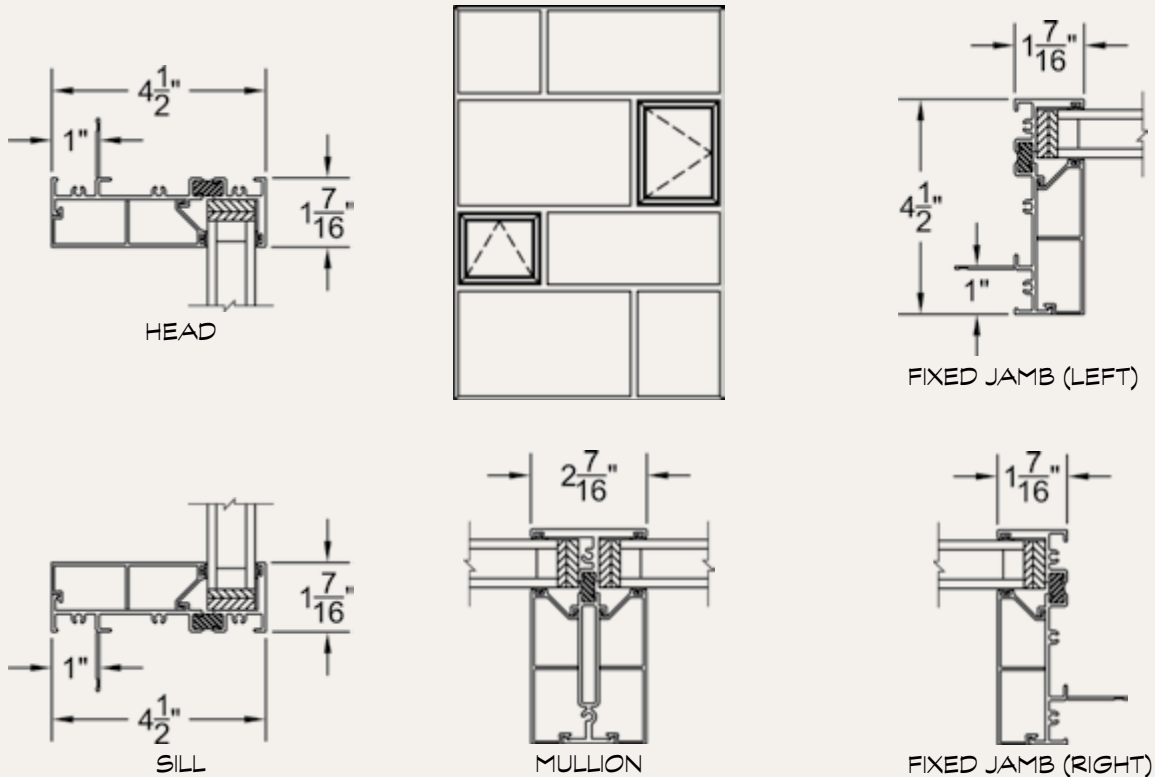
Storefront glass can shift in the opening. This is a design flaw of storefront because it was made in the field instead of a factory. **Even if the tuck-in vinyl is properly installed, the glass can still shift left or right to the point that weather can come into the home.**

Because storefront is only available in a block frame, it relies totally on installation sealant. **Sealants that are exposed to weather and UV will deteriorate faster, thus creating a potential water leak in the matter of a few years.** Fleetwood fixed systems come standard with an integral nail-fin that prevents water from passing through this part of the frame.



TYPICAL CONFIGURATIONS	MAX PANEL WIDTH	MAX PANEL HEIGHT	BEST SHGC	BEST U-VALUE
<ul style="list-style-type: none"> <li>Unlimited.</li> </ul>	Determined by Site Wind Loads	Determined by Site Wind Loads	0.13	0.18

## ELEVATION VIEW: WINDOW-WALL WITH OPERABLE INSERTS





## DESIGN NOTES

- Factory fabricated system.
- Insulated framing.
- Design layout freedom.



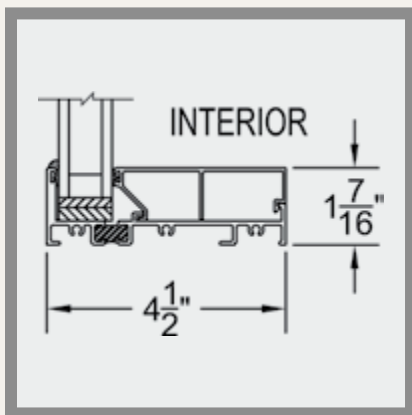
### Storefront Design:

Designers want the hard lines seen in typical commercial storefront but shudder at the thought of using commercial products for a variety of reasons. Our Kona fixed window system is the answer. It has similar designs as storefront but NONE of the downfalls.



### Integral Nail-Fin:

Builders and homeowners can relax knowing their fixed Kona windows are installed with integral nail-fins. Some fixed products, e.g. storefront, do not have a nail-fin and some products attempt one by attaching a nail-fin. Also, notice in the image above that the Kona extrusions are insulated for maximum energy efficiency.



### Inside Glaze Option:

The Kona is offered with an inside glazed option (see detail above). Some choose this option for its design element and others choose it for its maintenance benefits because most of the metal surface is protected from the weather. This option is not recommended for high water/wind zones.



### Factory Weep Slots:

Because storefront is fabricated in the field, it lacks the fit and finish required by most homeowners. The Kona has been laboratory tested against water infiltration and high wind loads. Additionally, the Kona is thermally broken and boasts exceptional energy test results.

Fixed systems are also available in all the products listed in the Windows section of this brochure.