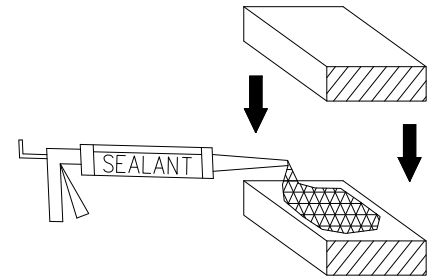


NOTE: Install Series 3800-T frame into opening before inserting Series 250-T / Series 250.

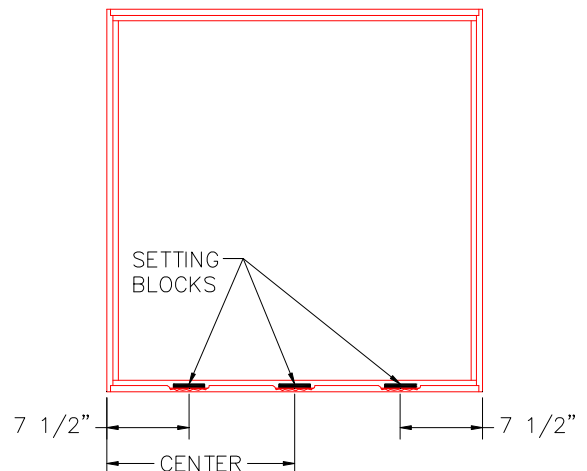
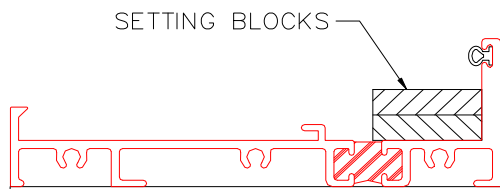
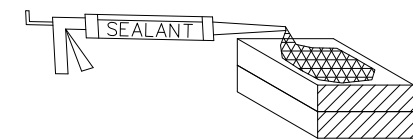
INSTALLATION STEPS:

1. Setting Blocks

- a. Series 250-T Projected Windows with 4-Bar Hinges and Series 250 Sliding Windows. Use two 1/4" x 1" x 4" setting blocks (part no. 18620). Bond the setting blocks together with a compatible sealant.
- b. Series 250-T Projected Windows with Butt Hinges. Use two 3/8" x 1" x 4" setting blocks (part no. 18622). Bond the setting blocks together with a compatible sealant.



2. Apply sealant to the Insert side of the three setting blocks and place them into the sill. Locate one setting block at 7 1/2" from each end and one in the center.



3. Insert the Series 250-T / 250 Window into the center of the opening.
4. Fix window in center of opening by inserting setting blocks into the head and lower portion of the jambs.
5. Finish installation by inserting glass stops to secure window into the 3800-T frame.

