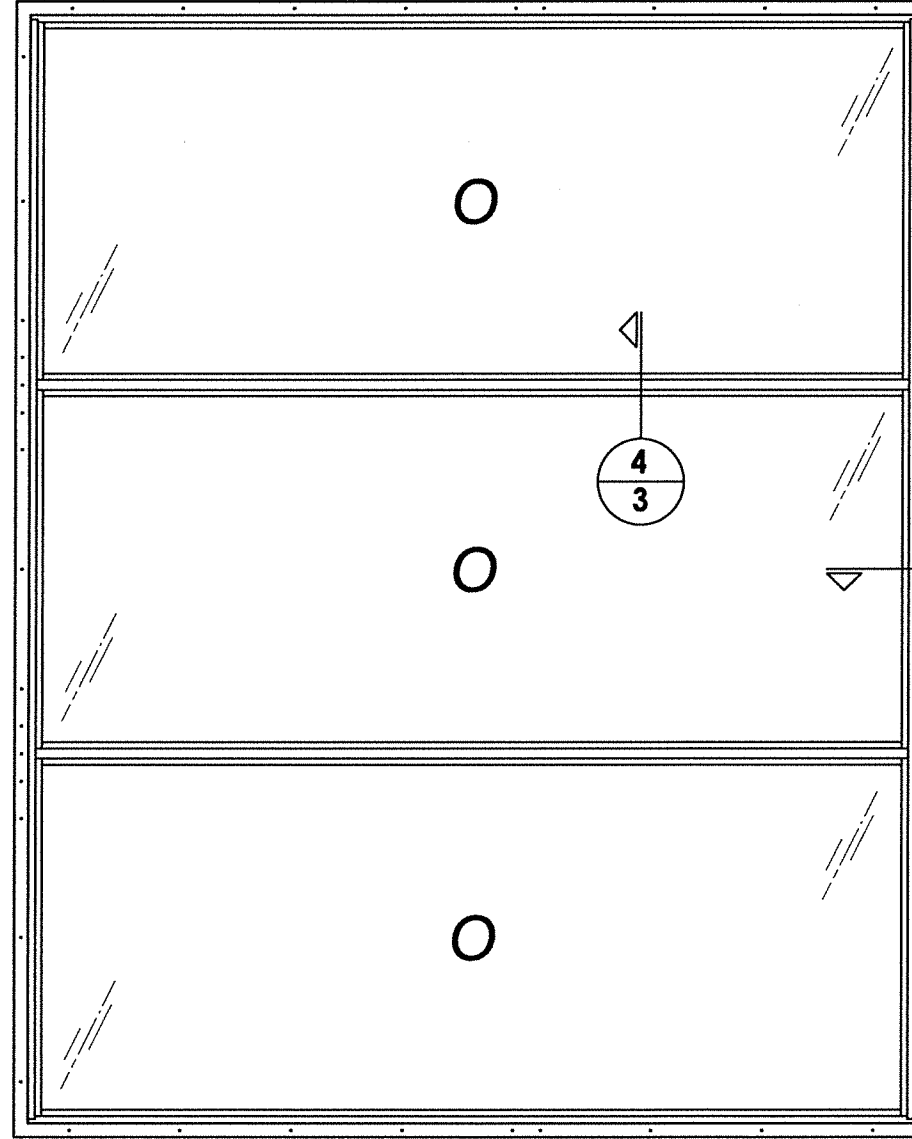
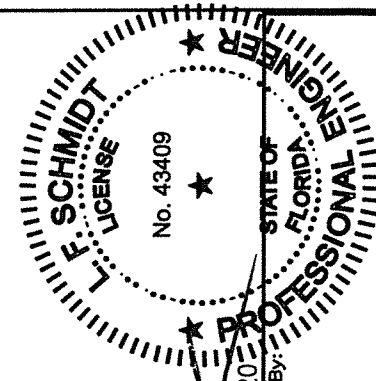


FIN MOUNT



FRAME MOUNT



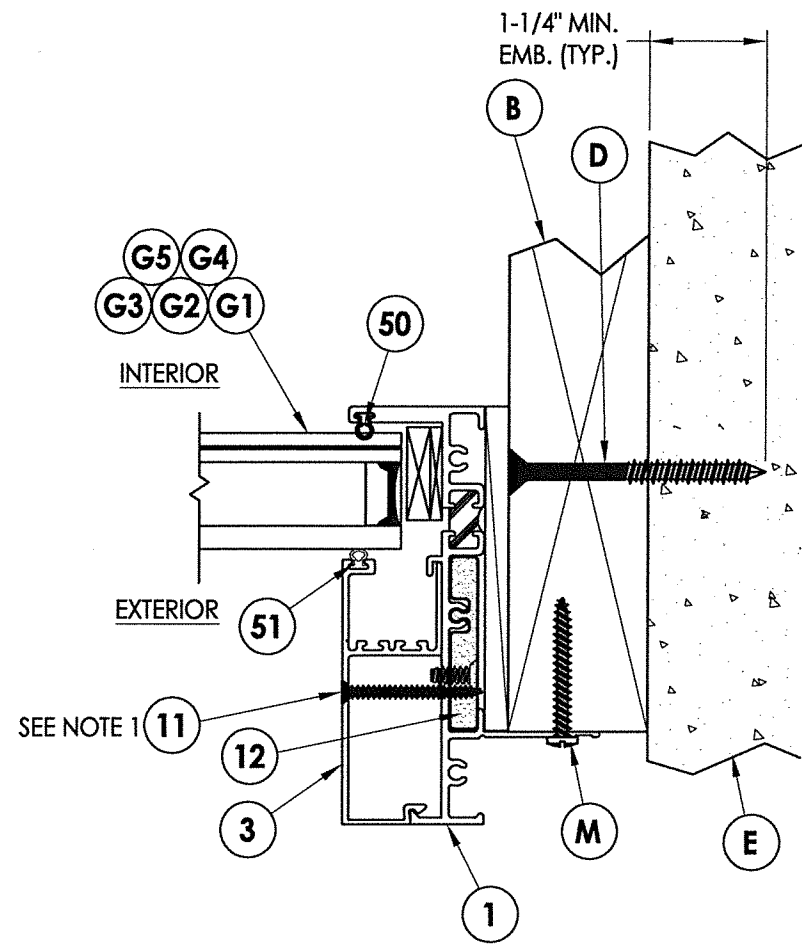
August 10, 2020
 Documents Prepared By:
 Lyndon F. Schmidt
 P.E. No. 43409

RW
 BUILDING CONSULTANTS, INC.
 P.O. Box 230, Valrico, FL 33595
 Phone No.: 813.659.9197
 FBPE Registry No. 9813

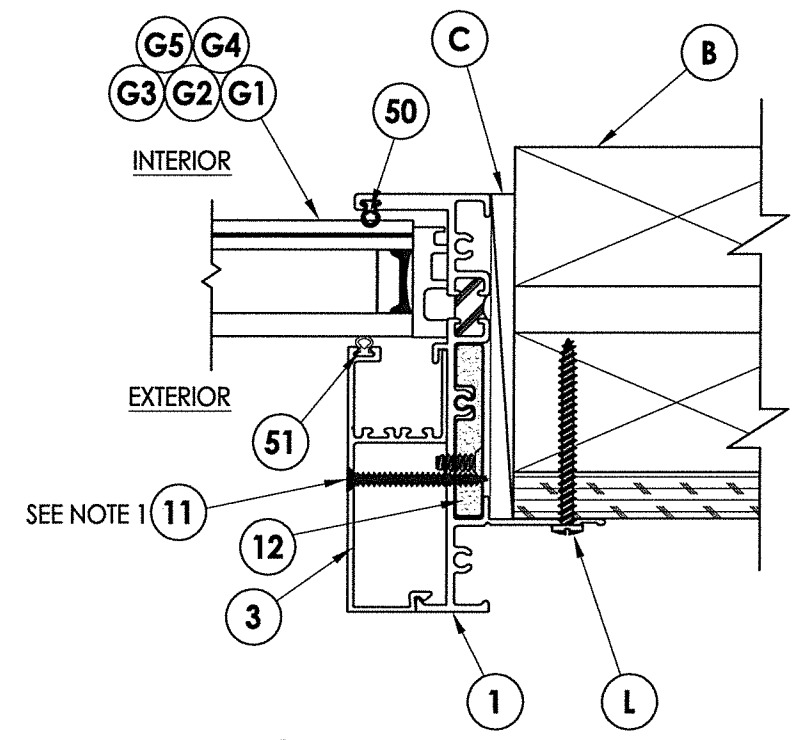
PRODUCT:		FLEETWOOD WINDOWS AND DOORS	
PART OR ASSEMBLY:		ELEVATIONS	
NO.	DATE	REVISIONS	BY
4	8/10/20	UPDATE TO 7th ED. (2020) FBC	DAC
3	08/03/17	UPDATE TO 6TH ED. (2017) FBC	LFS
2	08/22/16	REVISE SERIES NAME	JK
1	04/22/15	UPDATE TO 5TH ED. (2014) FBC	JK

DATE: 2/26/14
 SCALE: N.T.S.
 DWG. BY: JK
 CHK. BY: LFS
 DRAWING NO.:
 FL-16925.3
 SHEET 2 OF 8

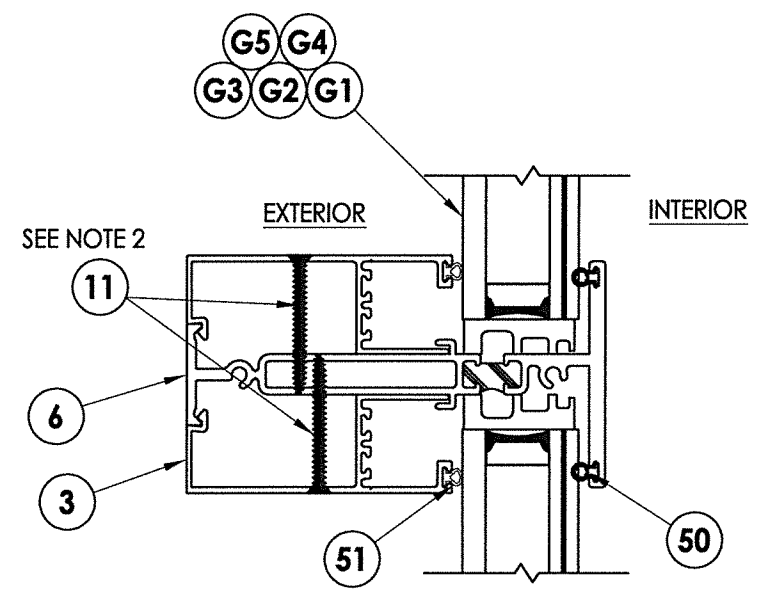
\\dc011\work\clients\fleetwood\PERMANENT.A - Florida Product Approvals\EL-16925_Eived WindowsC - Drawings\EL_16925_1-3.dwg



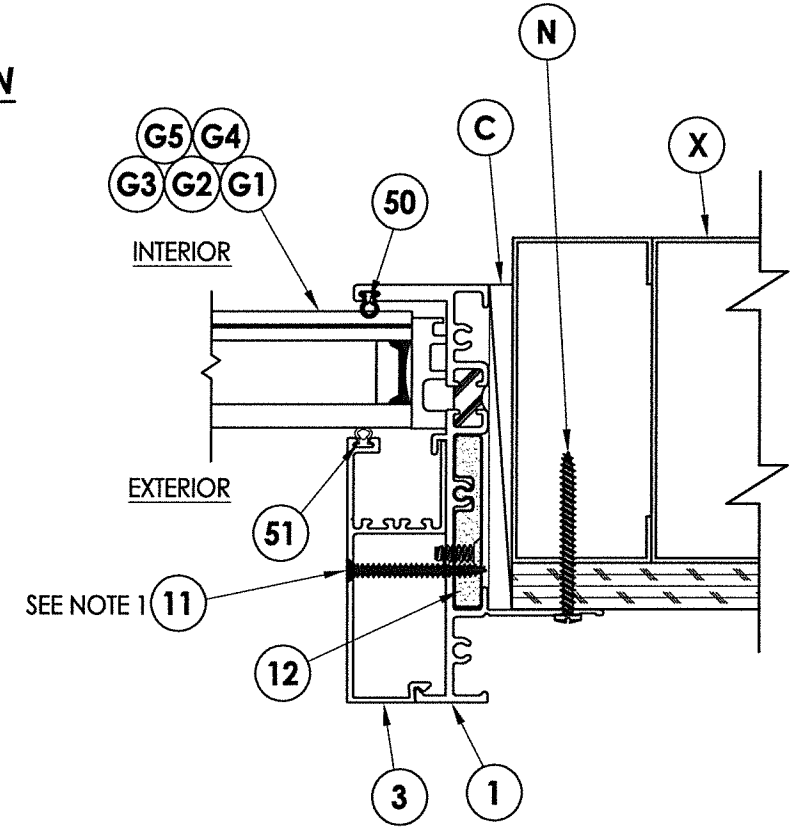
1 HORIZONTAL CROSS SECTION
3 Shown w/ 2X Buck option



2 HORIZONTAL CROSS SECTION
3 Shown w/ 2X Stud option



4 HORIZONTAL CROSS SECTION
3



3 HORIZONTAL CROSS SECTION
3 Shown w/ Steel Stud option

NOTE: Sheet Metal Screws must penetrate a min. of 3 threads completely through metal stud. Maintain 1/2" min. edge distance.

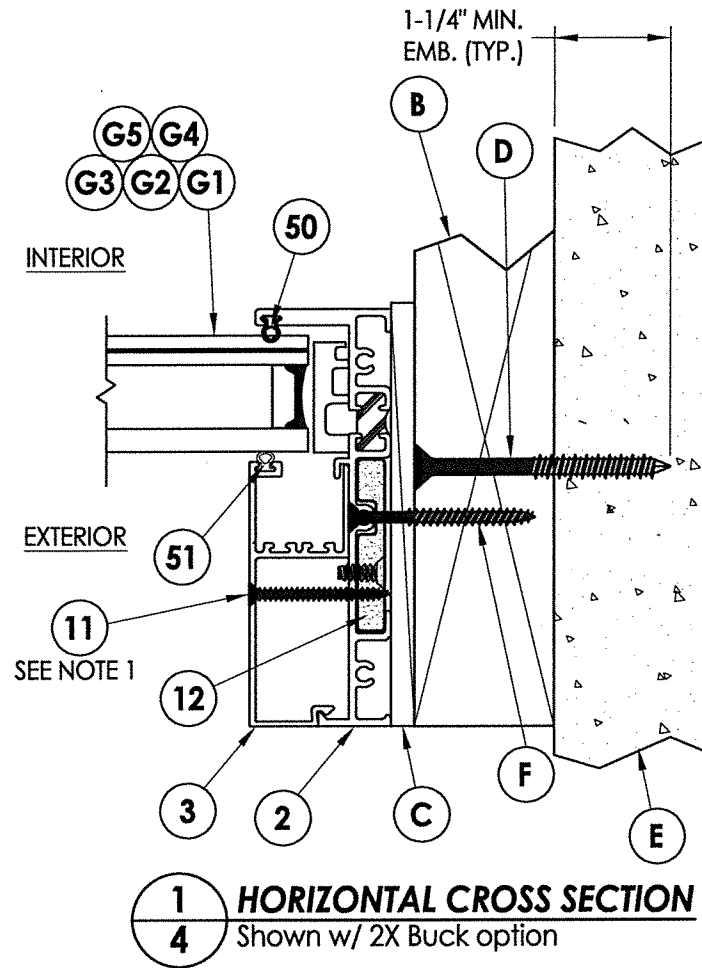
- NOTES:
- Item #11 located 6" from each end and one in center along jambs (3 total).
 - Item #11 located 5" from each end and at 12" o.c. thereafter along mullions (8 total each face).

August 10, 2020
 Documents Prepared By:
 Lyndon F. Schmidt
 P.E. No. 43409

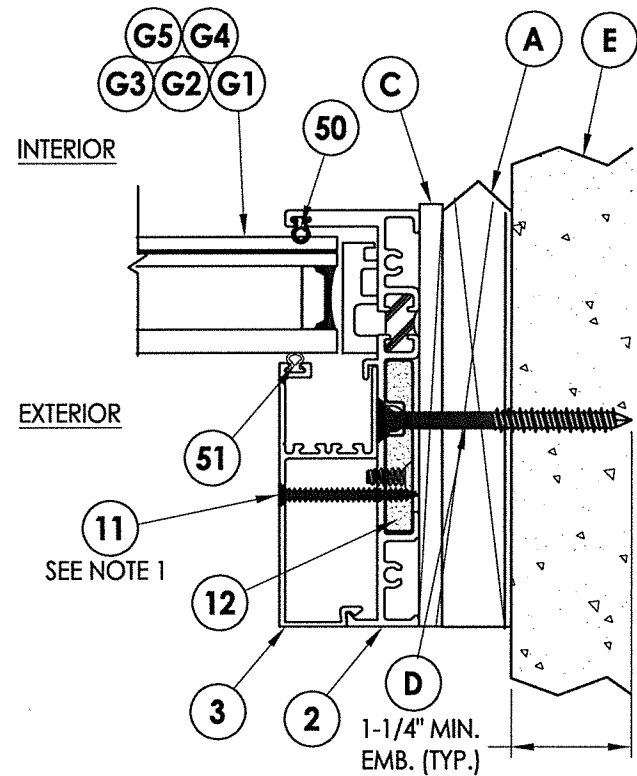
RW
 BUILDING CONSULTANTS, INC.
 P.O. Box 230, Valrico, FL 33595
 Phone No.: 813.659.9197
 FBPE Registry No. 9813

PRODUCT:		FLEETWOOD WINDOWS AND DOORS			
PART OR ASSEMBLY:		HORIZONTAL CROSS SECTIONS			
NO.	DATE	BY	REVISIONS		
4	8/10/20	DAC	UPDATE TO 7th ED. (2020)	FBC	
3	08/03/17	LFS	UPDATE TO 6TH ED. (2017)	FBC	
2	08/22/16	JK	REVISE SERIES NAME		
1	04/22/15	JK	UPDATE TO 5TH ED. (2014)	FBC	
DATE: 2/26/14					
SCALE: N.T.S.					
DWG. BY: JK					
CHK. BY: LFS					
DRAWING NO.: FL-16925.3					
SHEET 3 OF 8					

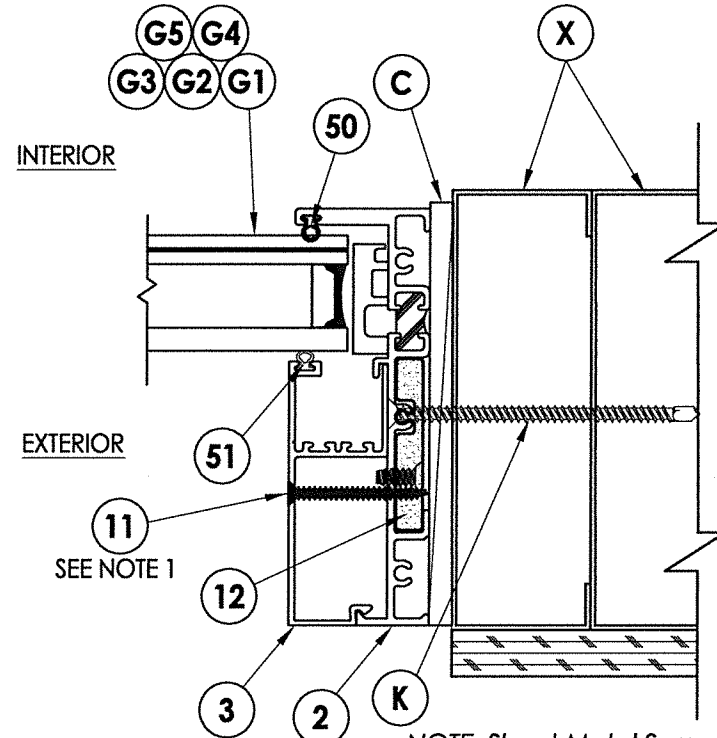
\\ac01\pbc\Clients\Fleetwood PERMANENTVA - Florida Product Approvals\FL-16925 Fixed Windows\C - Drawings\FL 16925 (2020)\FL-16925.1-3.dwg



1 HORIZONTAL CROSS SECTION
4 Shown w/ 2X Buck option

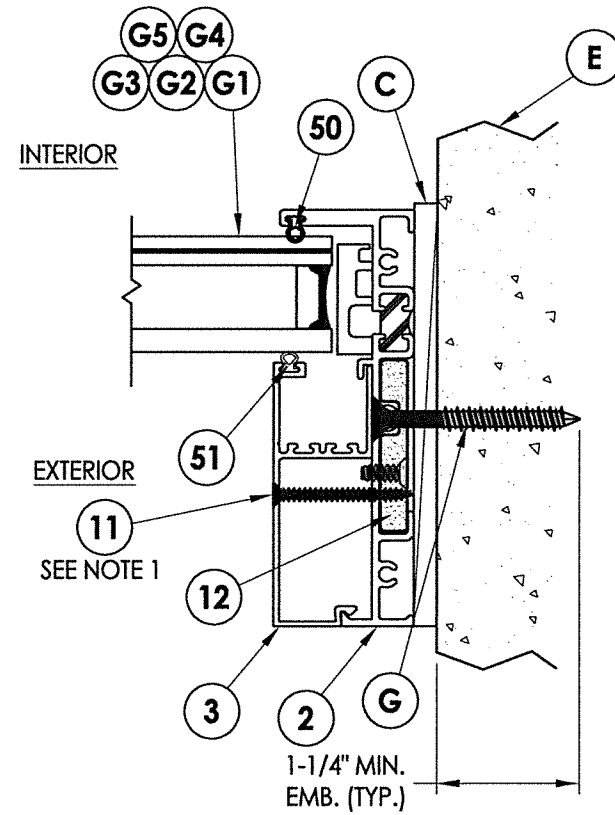


2 HORIZONTAL CROSS SECTION
4 Shown w/ 1X Sub buck option



3 HORIZONTAL CROSS SECTION
4 Shown w/ Steel Stud option

NOTE: Sheet Metal Screws must penetrate a min. of 3 threads through at least two (2) sheets of metal. Maintain a minimum 1/2" edge distance.



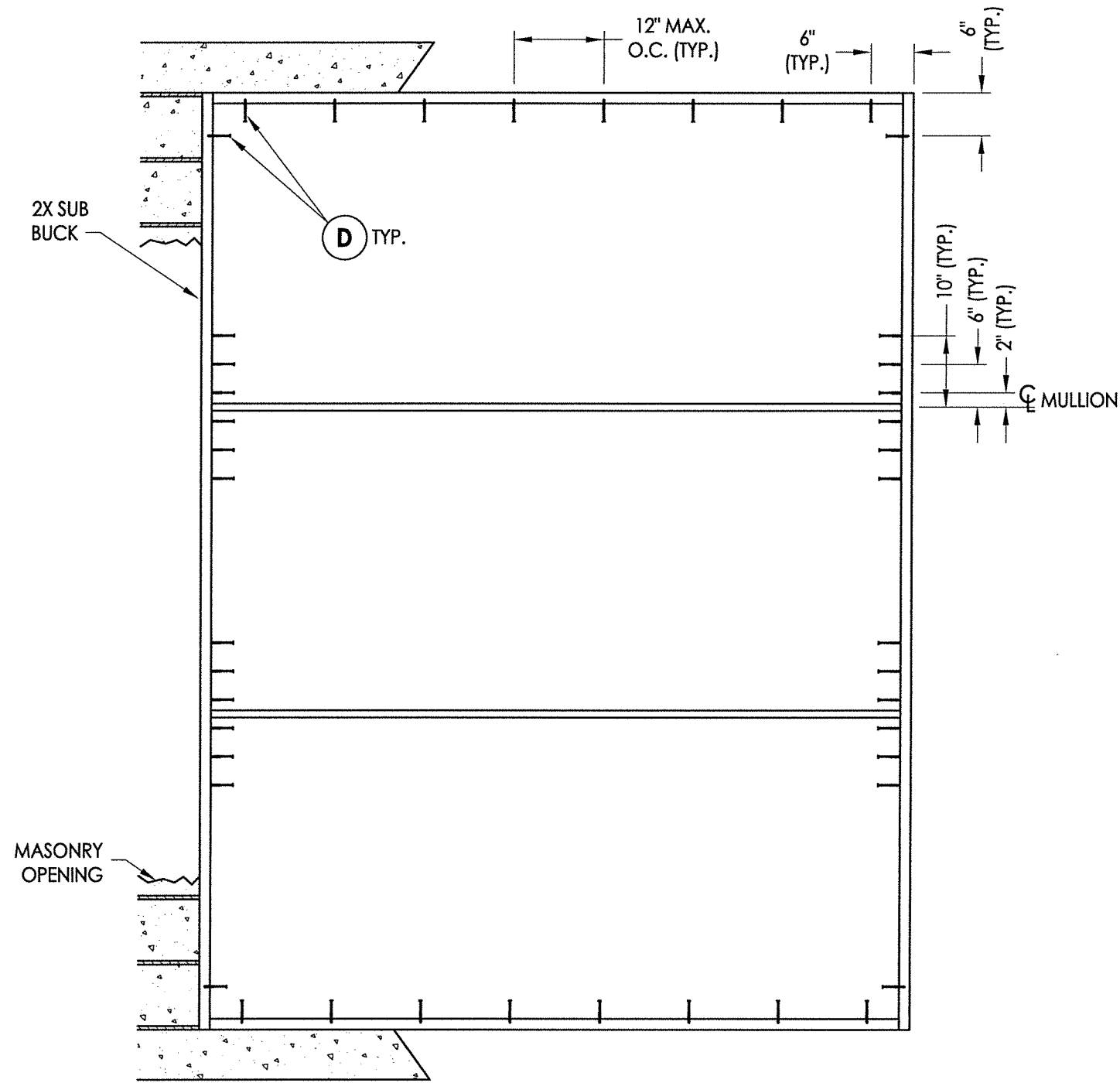
4 HORIZONTAL CROSS SECTION
4 Shown w/ Direct to Masonry option

August 10, 2020
 Documents Prepared By: Lyndon F. Schmidt
 P.E. No. 43409
 R.W. BUILDING CONSULTANTS, INC.
 P.O. Box 230, Valrico, FL 33595
 Phone No.: 813.659.9197
 FBPE Registry No. 9813

STATE OF FLORIDA
 PROFESSIONAL ENGINEER
 F. SCHMIDT
 LICENSE No. 43409

PRODUCT:		FLEETWOOD WINDOWS AND DOORS	
PART OR ASSEMBLY:		HORIZONTAL CROSS SECTIONS	
NO.	DATE	REVISIONS	BY
4	8/10/20	UPDATE TO 7th ED. (2020) FBC	DAC
3	08/03/17	UPDATE TO 6TH ED. (2017) FBC	LFS
2	08/22/16	REVISE SERIES NAME	JK
1	04/22/15	UPDATE TO 5TH ED. (2014) FBC	JK
DATE: 2/26/14			
SCALE: N.T.S.			
DWG. BY: JK			
CHK. BY: LFS			
DRAWING NO.: FL-16925.3			
SHEET 4 OF 8			

NOTES:
 1. Item #11 located 6" from each end and one in center along jambs (3 total).



2X BUCK ANCHORING

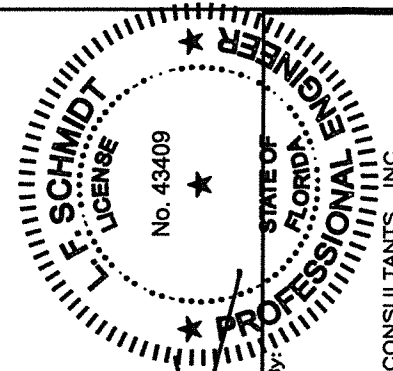
CONCRETE ANCHOR NOTES:

1. Concrete anchor locations at the corners may be adjusted to maintain the min. edge distance to mortar joints.
2. Concrete anchor locations noted as "MAX. ON CENTER" must be adjusted to maintain the min. edge distance to mortar joints, additional concrete anchors may be required to ensure the "MAX. ON CENTER" dimension are not exceeded.
3. Concrete anchor table:

ANCHOR TYPE	ANCHOR SIZE	MIN. EMBEDMENT	MIN. CLEARANCE TO MASONRY EDGE	MIN. CLEARANCE TO ADJACENT ANCHOR
ITW TAPCON®	1/4"	1-1/4"	2"	4"
DeWALT ULTRACON®	1/4"	1-1/4"	1"	4"

WOOD SCREW INSTALLATION NOTES:

1. Maintain a minimum 5/8" edge distance, 1" end distance, & 1" o.c. spacing of wood screws to prevent the splitting of wood.



F. Schmidt

August 10, 2020
 Documents Prepared By:
 Lyndon F. Schmidt
 P.E. No. 43409

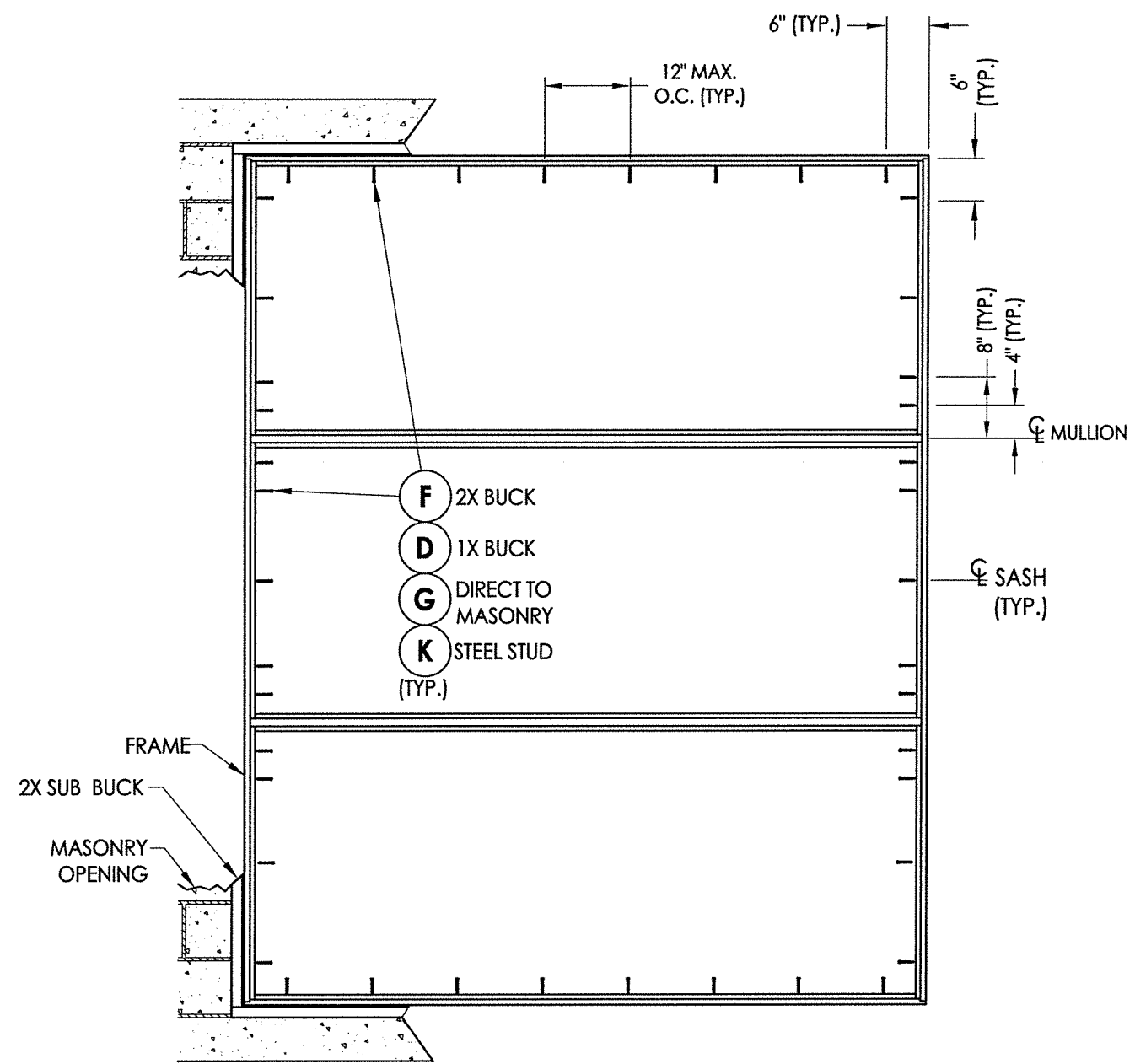
RW BUILDING CONSULTANTS, INC.
 P.O. Box 230, Vairico, FL 33595
 Phone No.: 813.659.9197
 FBPE Registry No. 9813

PRODUCT: FLEETWOOD WINDOWS AND DOORS
 PART OR ASSEMBLY: BUCK ANCHORING

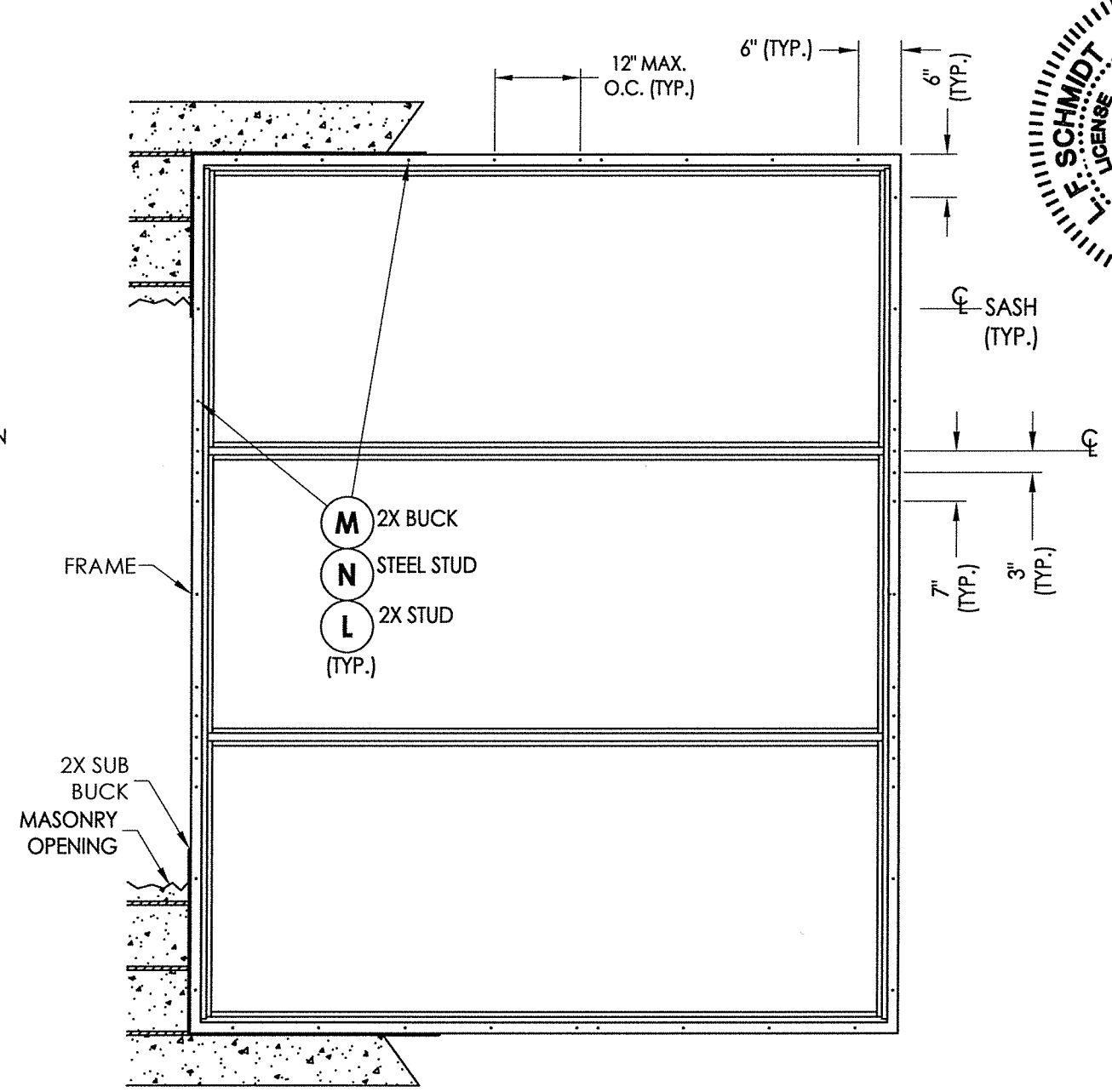
NO.	DATE	REVISIONS
4	8/10/20	UPDATE TO 7TH ED. (2020) FBC
3	08/03/17	UPDATE TO 6TH ED. (2017) FBC
2	08/22/16	REVISE SERIES NAME
1	04/22/15	UPDATE TO 5TH ED. (2014) FBC

DATE: 2/26/14
 SCALE: N.T.S.
 DWG. BY: JK
 CHK. BY: LFS
 DRAWING NO.: FL-16925.3
 SHEET 5 OF 8

\\dc01\rbcc\clients\Fleetwood PERMANENTVA - Florida Product Approvals\FL-16925 Fixed Windows\C - Drawings\FL 16925 (2020)\FL-16925.1-3.dwg



FRAME MOUNT ANCHORING



FIN MOUNT ANCHORING

August 10, 2020
 Documents Prepared By:
 Lyndon F. Schmidt
 P.E. No. 43409

RW BUILDING CONSULTANTS, INC.
 P.O. Box 230, Valrico, FL 33595
 Phone No.: 813.659.9197
 FBPE Registry No. 9813

CONCRETE ANCHOR NOTES:

1. Concrete anchor locations at the corners may be adjusted to maintain the min. edge distance to mortar joints.
2. Concrete anchor locations noted as "MAX. ON CENTER" must be adjusted to maintain the min. edge distance to mortar joints, additional concrete anchors may be required to ensure the "MAX. ON CENTER" dimension are not exceeded.
3. Concrete anchor table:

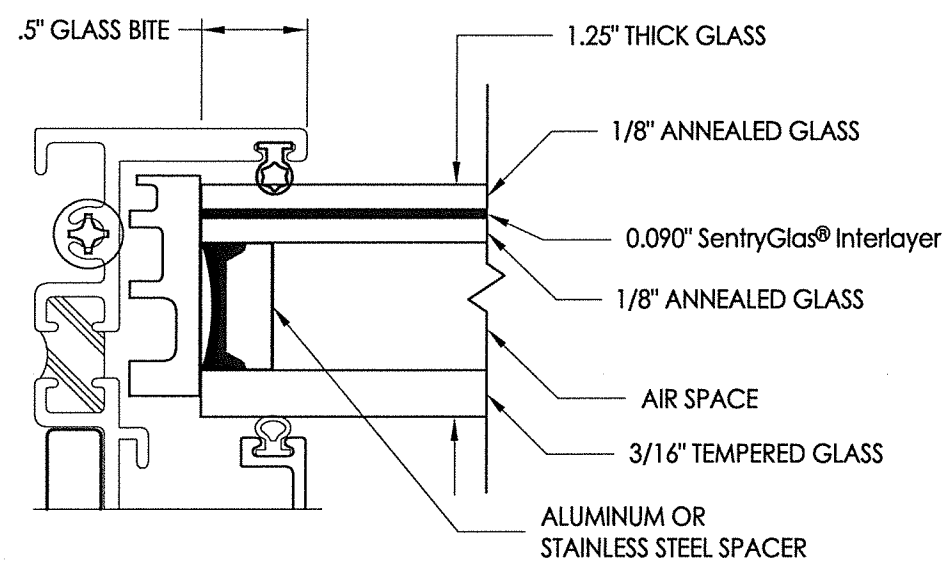
ANCHOR TYPE	ANCHOR SIZE	MIN. EMBEDMENT	MIN. CLEARANCE TO MASONRY EDGE	MIN. CLEARANCE TO ADJACENT ANCHOR
ITW TAPCON®	1/4"	1-1/4"	2"	4"
DeWALT ULTRACON®	1/4"	1-1/4"	1"	4"

WOOD SCREW INSTALLATION NOTES:

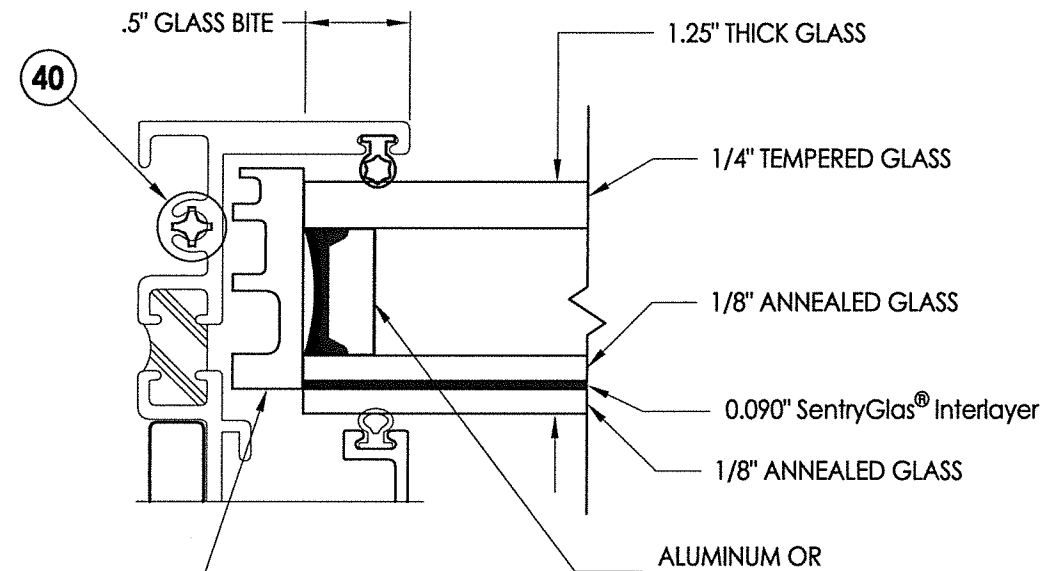
1. Maintain a minimum 5/8" edge distance, 1" end distance, & 1" o.c. spacing of wood screws to prevent the splitting of wood.

PRODUCT:		FLEETWOOD WINDOWS AND DOORS	
PART OR ASSEMBLY:		FRAME ANCHORING	
NO.	DATE	REVISIONS	BY
4	8/10/20	UPDATE TO 7TH ED. (2020)	DAC
3	08/03/17	UPDATE TO 6TH ED. (2017)	FBC
2	08/22/16	REVISE SERIES NAME	LFS
1	04/22/15	UPDATE TO 5TH ED. (2014)	FBC
DATE: 2/26/14		SCALE: N.T.S.	
DWG. BY: JK		CHK. BY: LFS	
DRAWING NO.: FL-16925.3		SHEET 6 OF 8	

\\c01\work\clients\Eleetwood_PERMANENT\A - Florida Product Approvals\EL-16925 Fixed Windows\C - Drawings\EL_16925_1-3.dwg

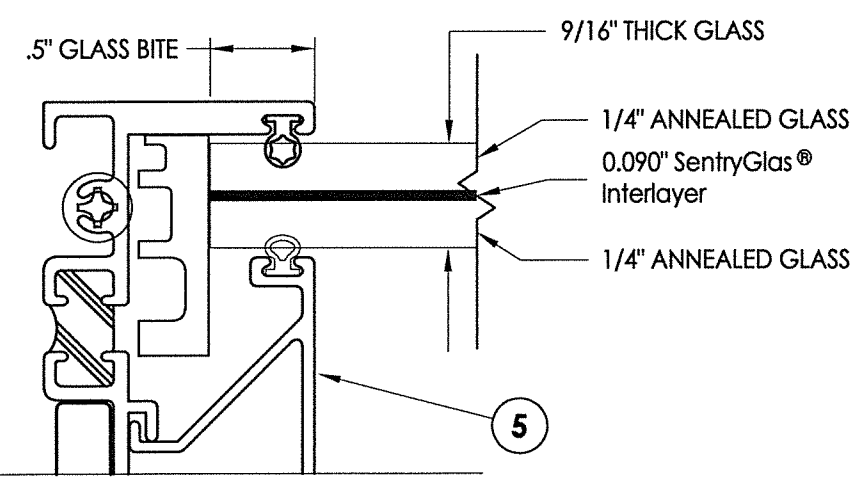


G4 GLAZING DETAIL

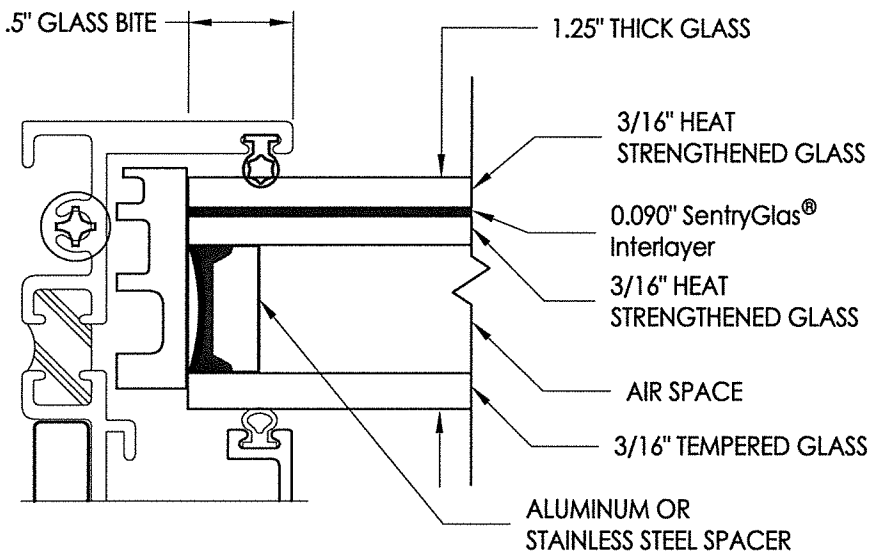


G5 GLAZING DETAIL

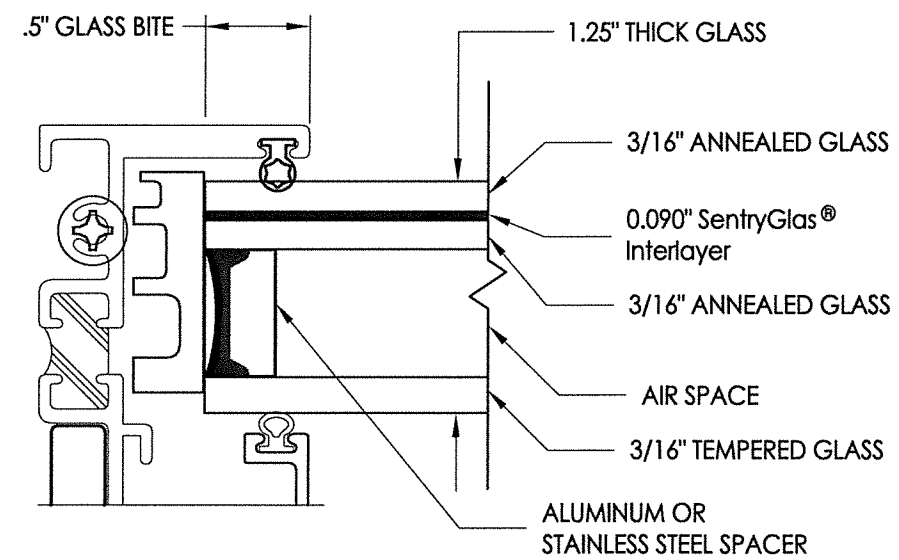
NOTE: GLAZING > 36" WIDE REQUIRES AT LEAST TWO (2) SETTING BLOCKS CONFORMING TO FBC SECTION 2411.3.3.1.



G1 GLAZING DETAIL



G2 GLAZING DETAIL



G3 GLAZING DETAIL

August 10, 2020
 Documents Prepared By: Lyndon F. Schmidt
 P.E. No. 43409

FLORIDA PROFESSIONAL ENGINEER
 License No. 43409

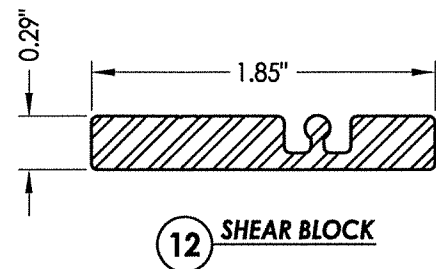
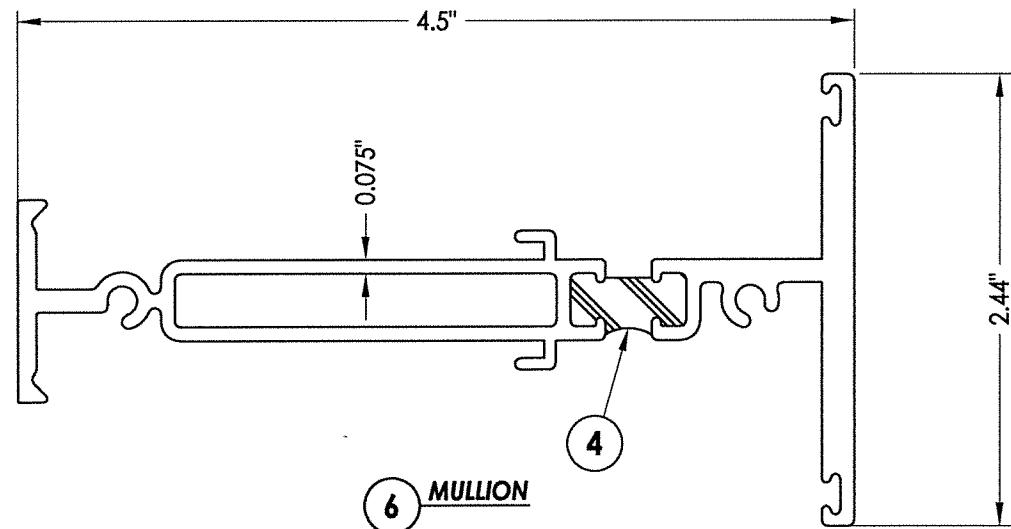
R.W. BUILDING CONSULTANTS, INC.
 P.O. Box 230, Valrico, FL 33595
 Phone No.: 813.659.9197
 FBPE Registry No. 9813

PRODUCT:		FLEETWOOD WINDOWS AND DOORS	
PART OR ASSEMBLY:		GLAZING DETAILS	
NO.	DATE	REVISIONS	BY
4	8/10/20	UPDATE TO 7th ED. (2020) FBC	DAC
3	08/03/17	UPDATE TO 6TH ED. (2017) FBC	LFS
2	08/22/16	REVISE SERIES NAME	JK
1	04/22/15	UPDATE TO 5TH ED. (2014) FBC	JK
DATE: 2/26/14			
SCALE: N.T.S.			
DWG. BY: JK			
CHK. BY: LFS			
DRAWING NO.: FL-16925.3			
SHEET 7 OF 8			

© 2014 R.W. BUILDING CONSULTANTS INC.

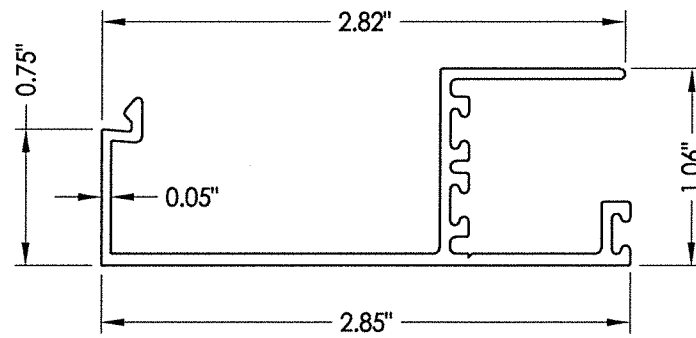
\\dc01\rvb\clients\Fleetwood PERMANENTVA - Florida Product Approvals\FL-16925 Fixed Windows\C - Drawings\FL 16925 (2020)\FL-16925.1-3.dwg

BILL OF MATERIALS		
ITEM #	DESCRIPTION	MATERIAL
A	1X BUCK SG >= 0.55	WOOD
B	2X BUCK SG >= 0.55	WOOD
C	1/4" MAX. SHIM SPACE	-
D	1/4" X 2-3/4" DeWALT OR ITW PFH CONCRETE SCREW	STEEL
E	MASONRY - 3000 PSI MIN. CONCRETE CONFORMING TO ACI 301 OR HOLLOW BLOCK CONFORMING TO ASTM C90	CONCRETE
F	#10 X 2" PFH WOOD SCREW (1-1/4" MIN. EMBEDMENT)	STEEL
G	1/4" x 2-1/4" DeWALT OR ITW PFH CONCRETE SCREW	STEEL
K	#10 FH SELF-DRILLING SMS	STEEL
L	#10 X 2" PPH WOOD SCREW (1-3/8" MIN. EMBEDMENT)	STEEL
M	#10 X 1-1/2" PPH WOOD SCREW (1-3/8" MIN. EMBEDMENT)	STEEL
N	#10 PH SELF-DRILLING SMS	STEEL
X	STEEL STUD Min. Thk .033" (ASTM A653 GRADE 33 Fy=33 Ksi Min, Fu=45 Ksi Min)	STEEL
1	KONA FIN BLOCK FRAME	6063-T6 ALUM
2	KONA BLOCK FRAME	6063-T6 ALUM
3	GLASS STOP (1-1/4")	6063-T6 ALUM
4	THERMAL BREAK ("LIQUID POLYURETHANE" by Azon USA, Inc.)	-
5	GLASS STOP (1-1/4")	6063-T6 ALUM
6	MULLION	6063-T6 ALUM
11	#8 X 1-1/2" PFH SMS	STEEL
12	SHEAR BLOCK	6061-T6 ALUM
40	#10 X 1" PPH SMS	STEEL
50	BULB VINYL (EPDM 70 DUROMETER) - TREMCO	-
51	MINI BULB VINYL (EPDM 70 DUROMETER) - TREMCO	-
55	SETTING BLOCK	-

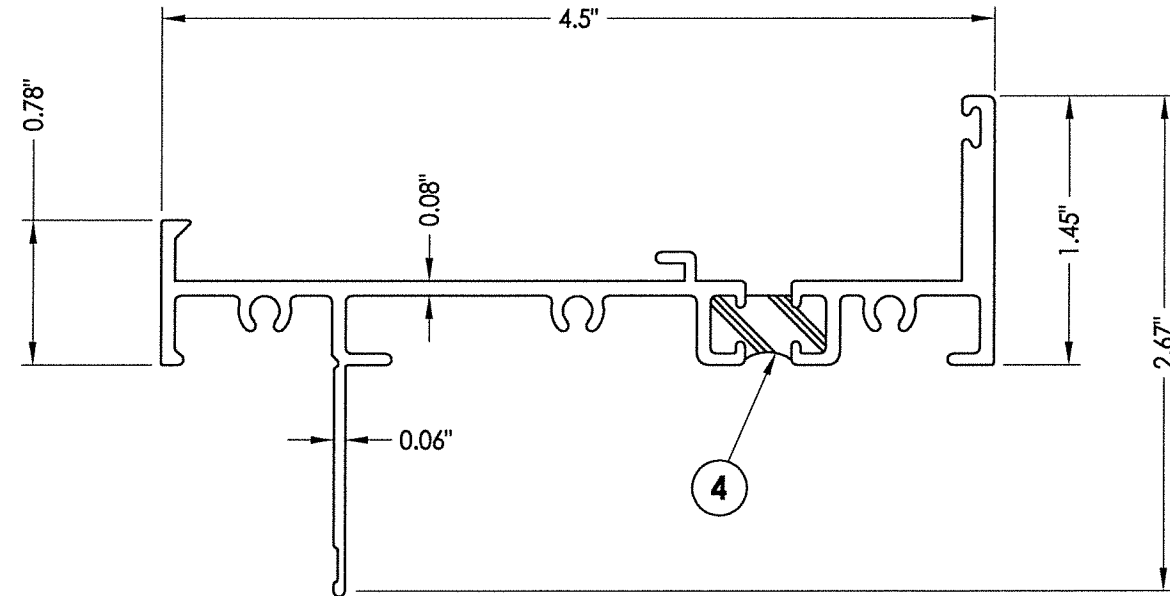
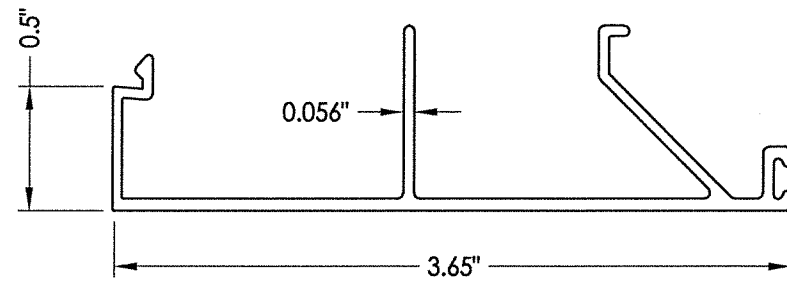


12 SHEAR BLOCK

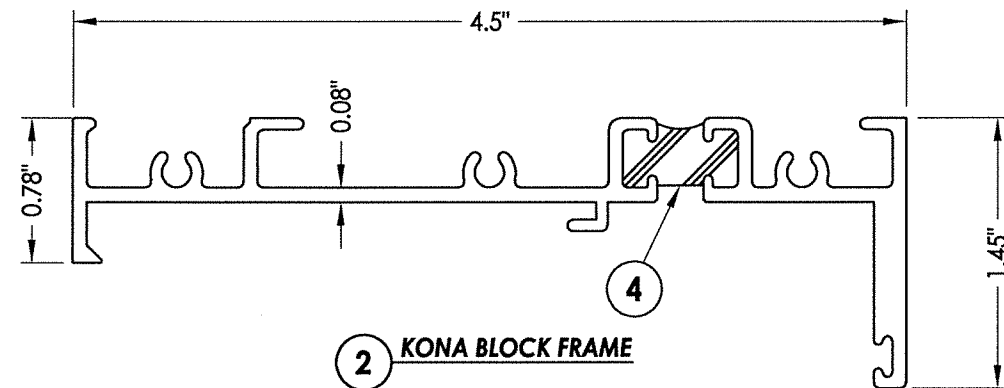
3 GLASS STOP 1-1/4"



5 GLASS STOP 9/16"



1 KONA FIN BLOCK FRAME



2 KONA BLOCK FRAME

August 10, 2020
 Documents Prepared By:
 Lyndon F. Schmidt
 P.E. No. 43409

R.W.
 BUILDING CONSULTANTS, INC.
 P.O. Box 230, Valrico, FL 33595
 Phone No.: 813.659.9197
 FBPE Registry No. 9813

PRODUCT:		FLEETWOOD WINDOWS AND DOORS	
PART OR ASSEMBLY:		BILL OF MATERIALS AND COMPONENTS	
NO.	DATE	REVISIONS	BY
4	8/10/20	UPDATE TO 7th ED. (2020) FBC	DAC
3	08/03/17	UPDATE TO 6TH ED. (2017) FBC	LFS
2	08/22/16	REVISE SERIES NAME	JK
1	04/22/15	UPDATE TO 5TH ED. (2014) FBC	JK

DATE:	2/26/14
SCALE:	N.T.S.
DWG. BY:	JK
CHK. BY:	LFS
DRAWING NO.:	FL-16925.3
SHEET	8 OF 8