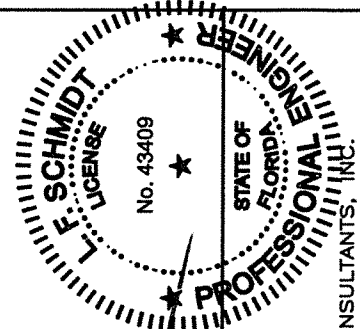


OPTIONAL CONFIGURATIONS

NOTE: Any combination of a single casement plus multiple fixed windows configurations are allowed. If two or more casements are used, the maximum frame size of the additional casement is 60". Do not exceed the maximum overall frame size or daylight openings as shown in this approval or with the separate corresponding awning approval.



December 7, 2021
 Documents Prepared By:
 Lyndon F. Schmidt
 P.E. No. 43409

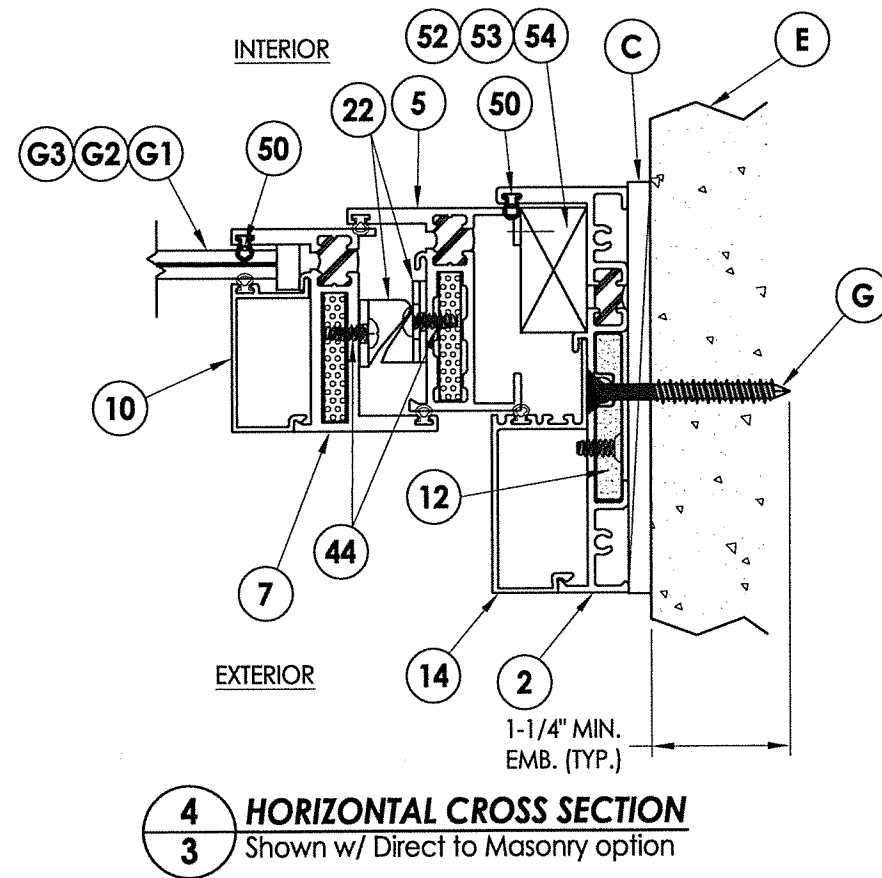
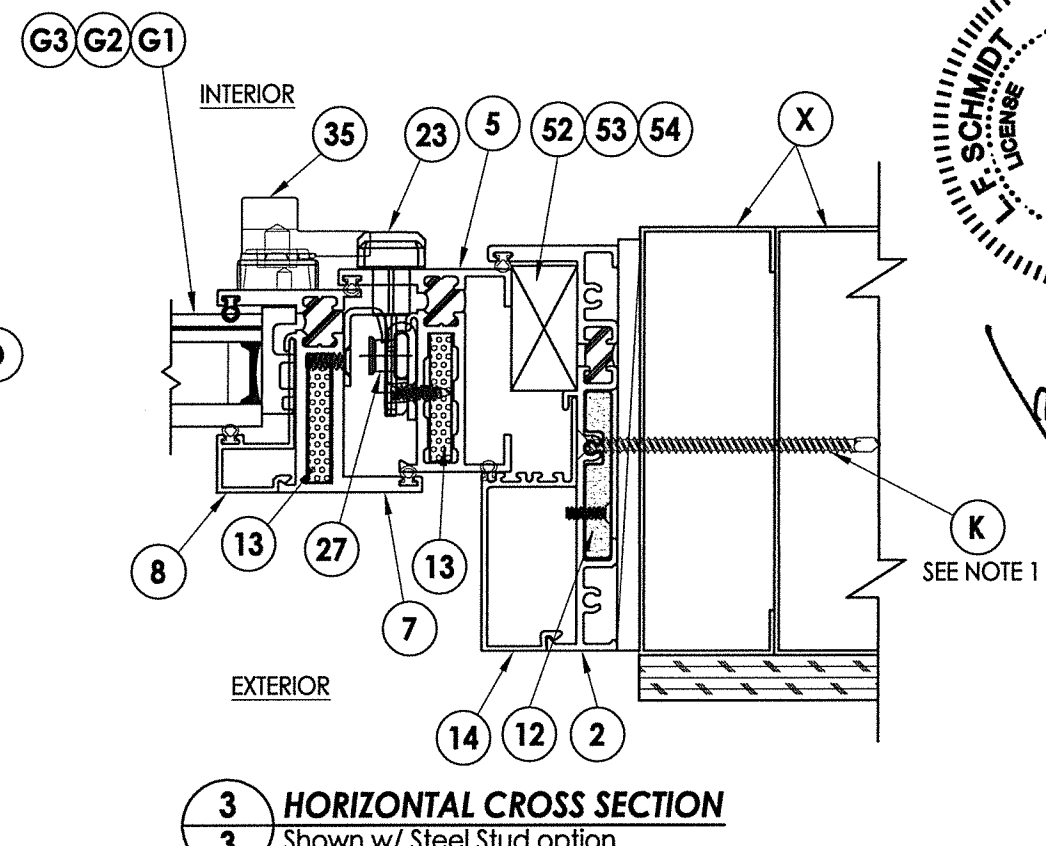
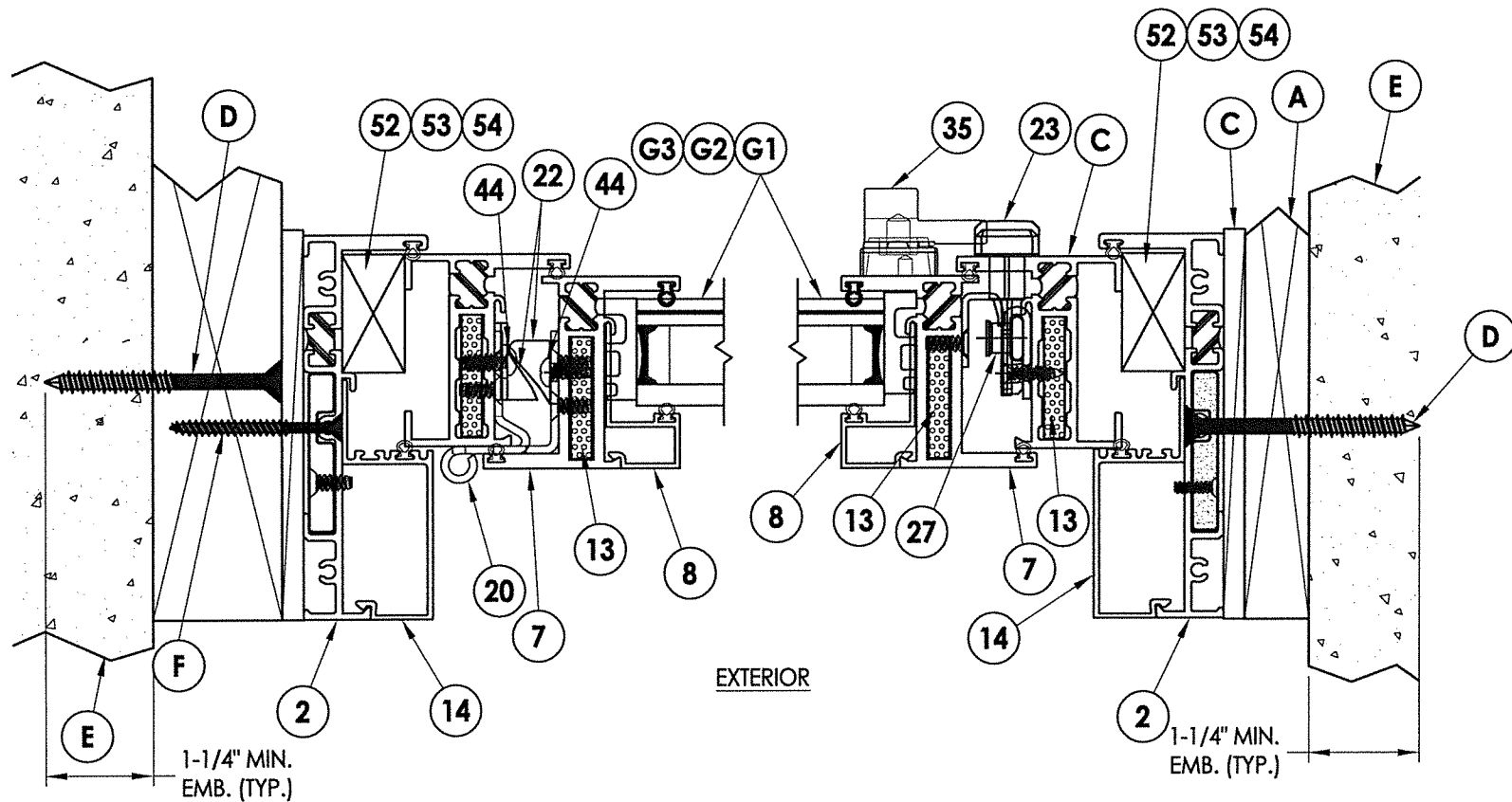
PRODUCT:
 FLEETWOOD WINDOWS & DOORS

PART OR ASSEMBLY:
 ELEVATIONS

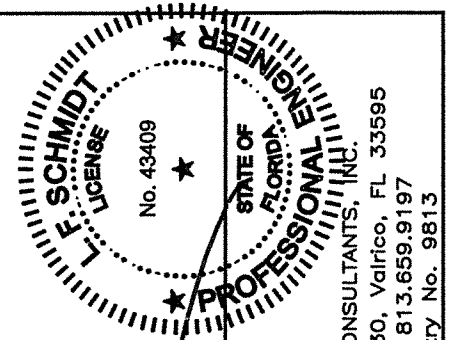
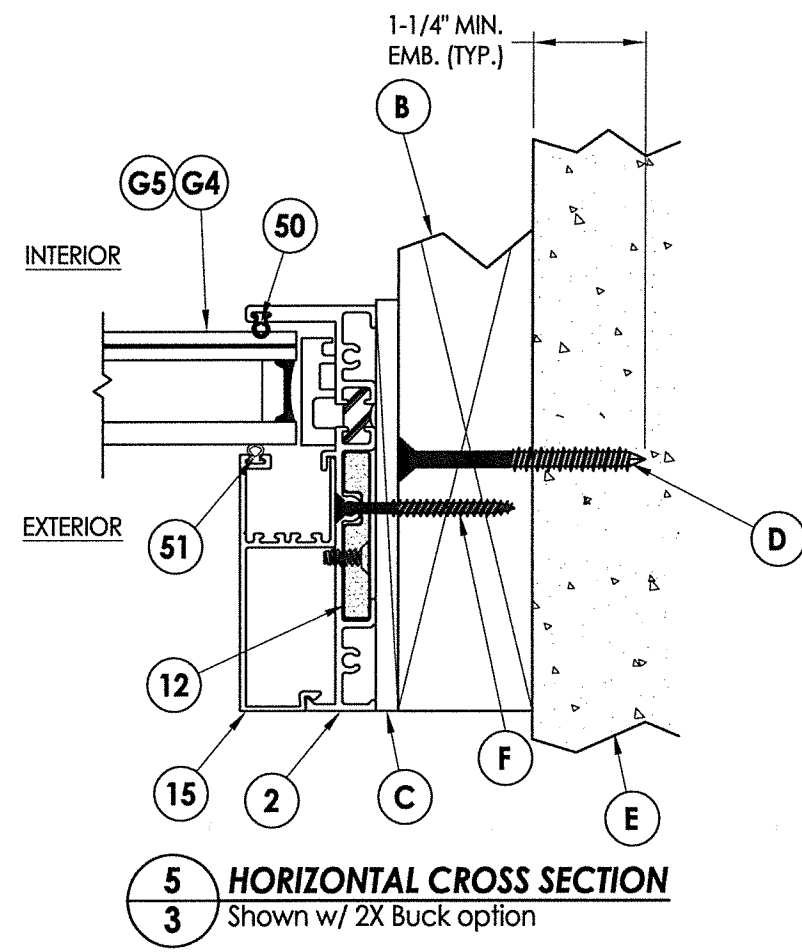
NO.	DATE	BY

DATE: 12/01/21
 SCALE: N.T.S.
 DWG. BY: LFS
 CHK. BY: RW
 DRAWING NO.: FL-14904.13
 SHEET 2 OF 9

RW
 BUILDING CONSULTANTS, INC.
 P.O. Box 230, Valrico, FL 33595
 Phone No.: 813.659.9197
 FBPE Registry No. 9813



NOTE:
1. Sheet Metal Screws must penetrate a min. of 3 threads through at least two (2) sheets of metal. Maintain a minimum 1/2" edge distance.

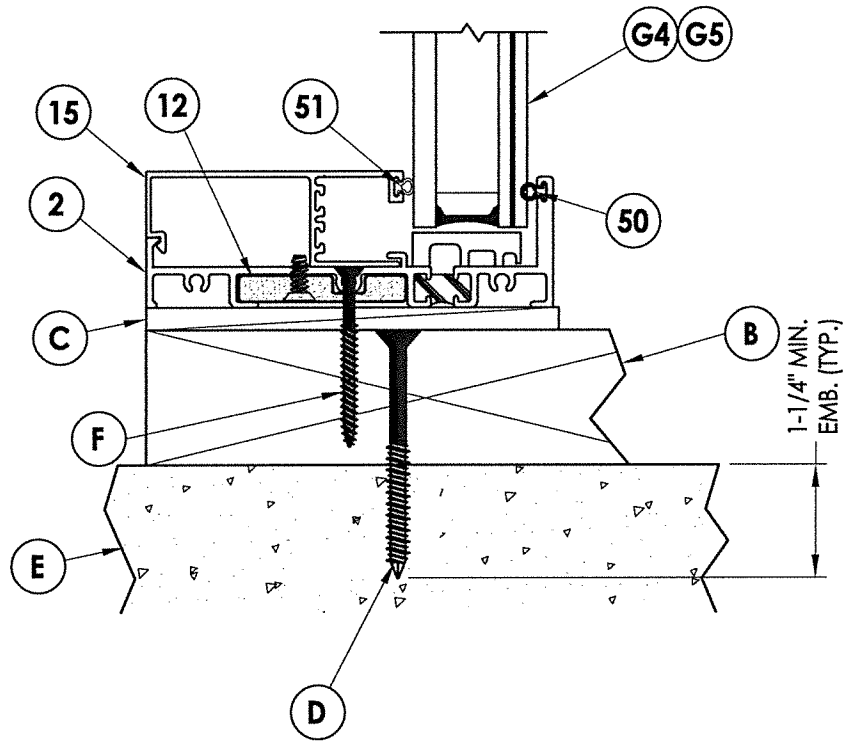


December 7, 2021
Documents Prepared By:
Lyndon F. Schmidt
P.E. No. 43409
R.W. BUILDING CONSULTANTS, INC.
P.O. Box 230, Valrico, FL 33595
Phone No.: 813.659.9197
FBPE Registry No. 9813

PRODUCT:	FLEETWOOD WINDOWS & DOORS
PART OR ASSEMBLY:	HORIZONTAL CROSS SECTIONS
NO.	DATE
BY	
DATE:	12/01/21
SCALE:	N.T.S.
DWG. BY:	LFS
CHK. BY:	RW
DRAWING NO.:	FL-14904.13
SHEET	3 OF 9

EXTERIOR

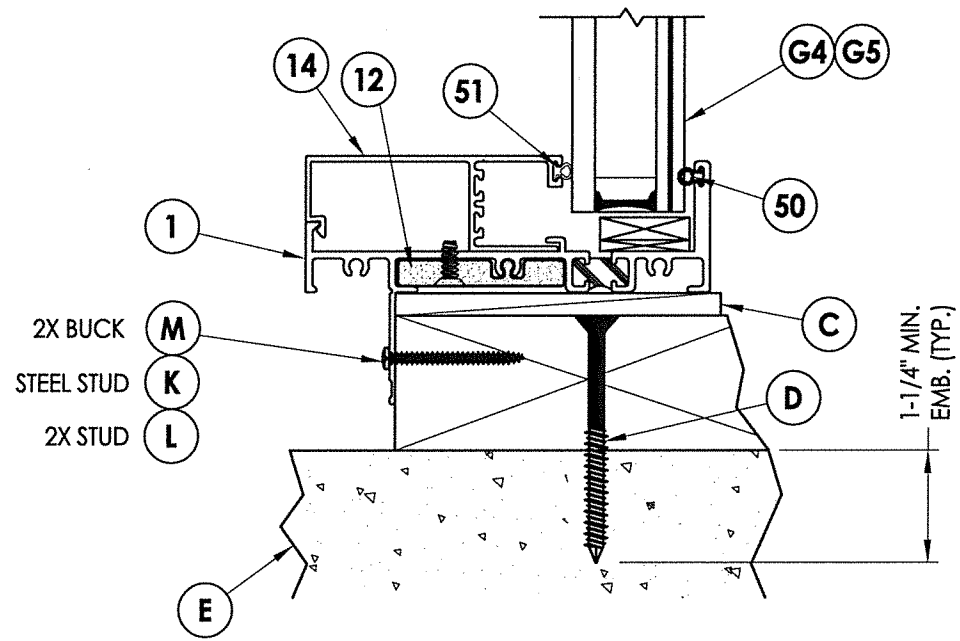
INTERIOR



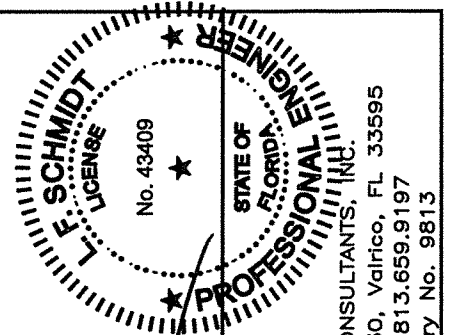
1 VERTICAL CROSS SECTION
4 Shown w/ 2X Buck Construction

EXTERIOR

INTERIOR



2 VERTICAL CROSS SECTION
4 2X Buck Construction
 Shown w/ nailing fin option



E. Schmidt

December 7, 2021
 Documents Prepared By:
 Lyndon F. Schmidt
 P.E. No. 43409

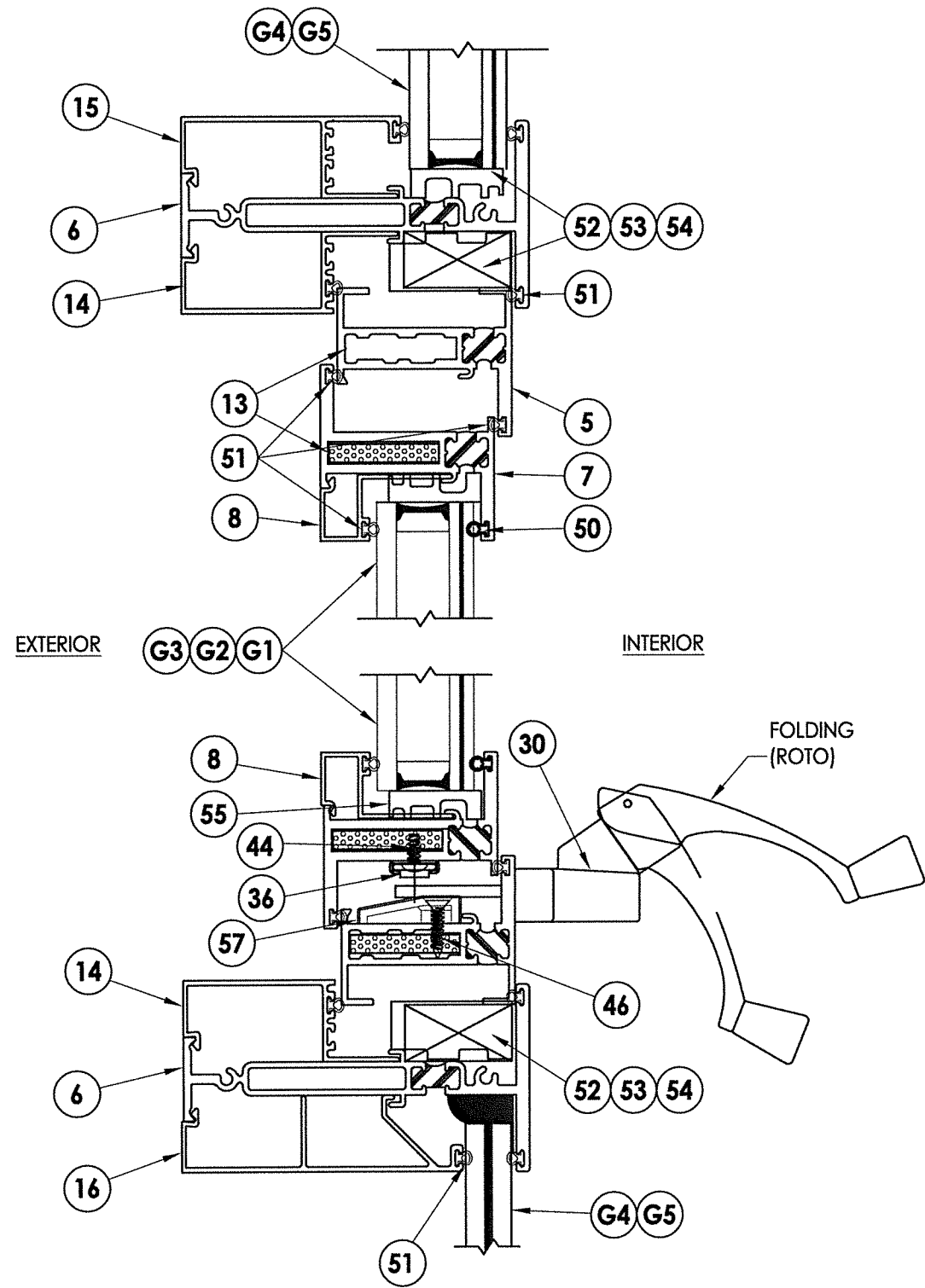
RW BUILDING CONSULTANTS, INC.
 P.O. Box 230, Vairco, FL 33595
 Phone No.: 813.659.9197
 FBPE Registry No. 9813

PRODUCT:
 FLEETWOOD WINDOWS & DOORS

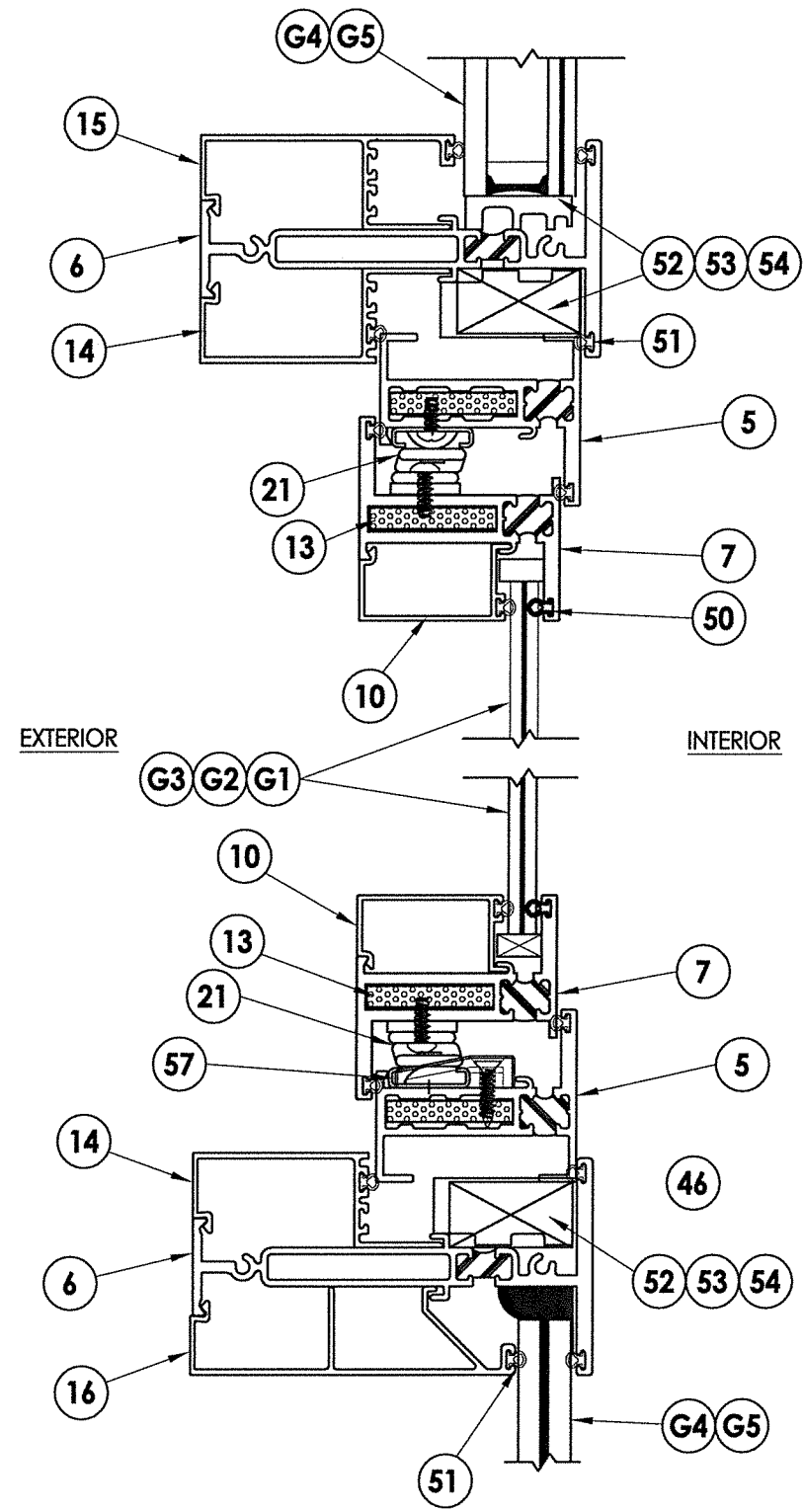
PART OR ASSEMBLY:
 VERTICAL CROSS SECTIONS

NO.	DATE	BY

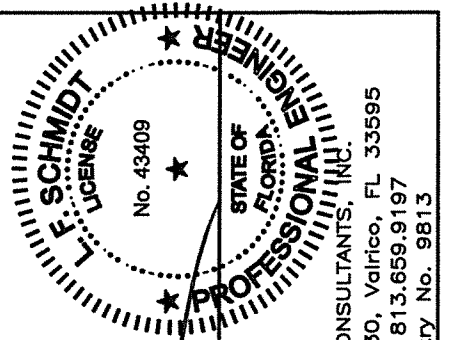
DATE: 12/01/21
 SCALE: N.T.S.
 DWG. BY: LFS
 CHK. BY: RW
 DRAWING NO.:
 FL-14904.13
 SHEET 4 OF 9



1
5 VERTICAL CROSS SECTION



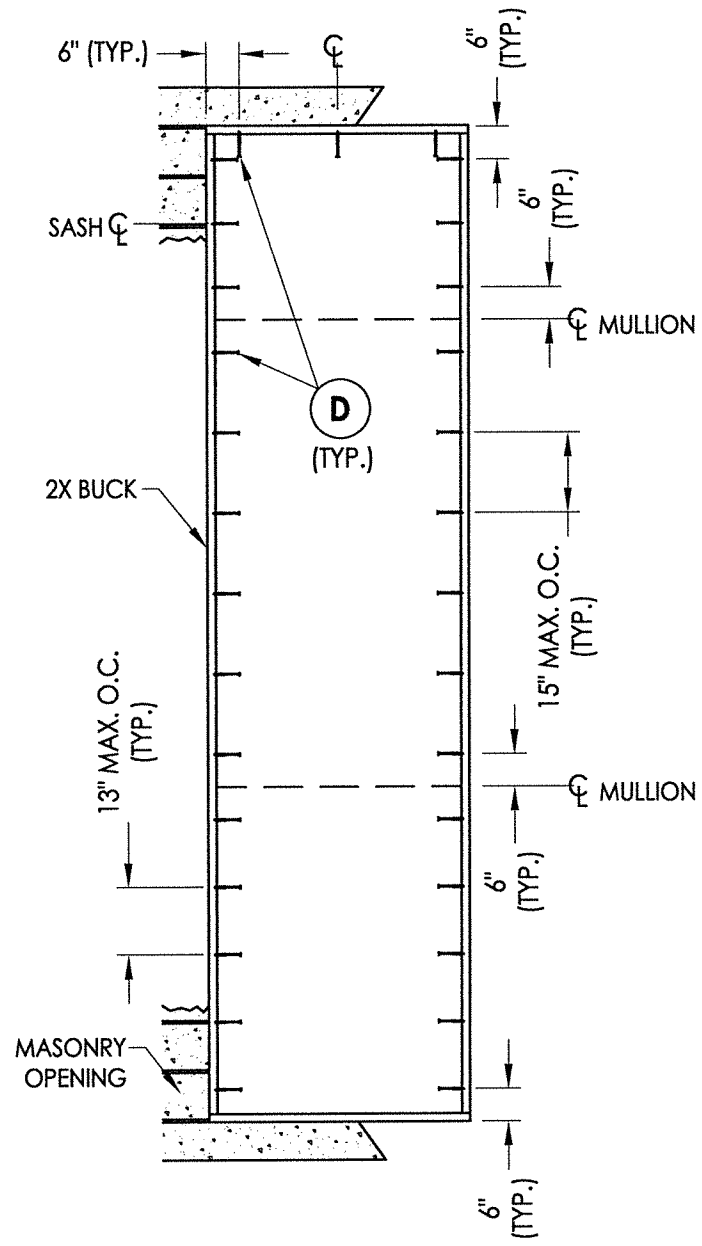
2
5 VERTICAL CROSS SECTION



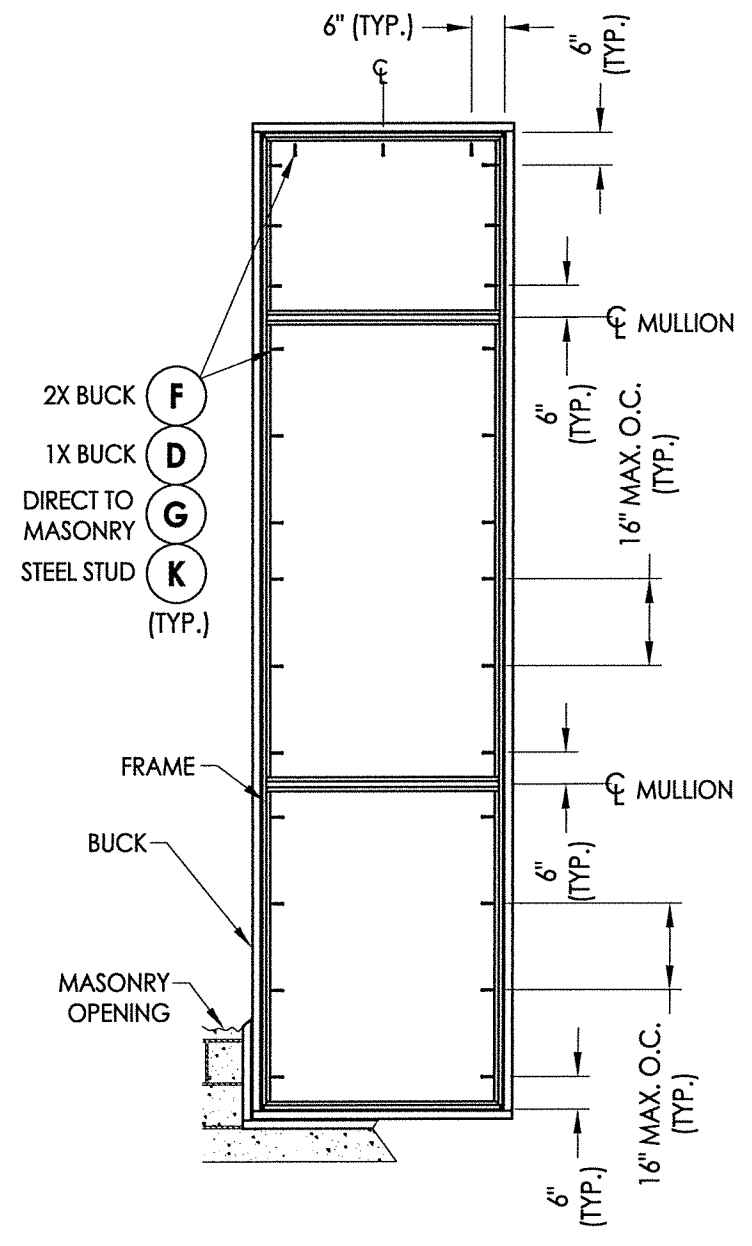
December 7, 2021
 Documents Prepared By:
 Lyndon F. Schmidt
 P.E. No. 43409
RW BUILDING CONSULTANTS, INC.
 P.O. Box 230, Valrico, FL 33595
 Phone No.: 813.659.9197
 FBPE Registry No. 9813

PRODUCT:		FLEETWOOD WINDOWS & DOORS	
PART OR ASSEMBLY:		VERTICAL CROSS SECTIONS	
NO.	DATE	BY	
DATE:		12/01/21	
SCALE:		N.T.S.	
DWG. BY:		LFS	
CHK. BY:		RW	
DRAWING NO.:		FL-14904.13	
SHEET		5 OF 9	

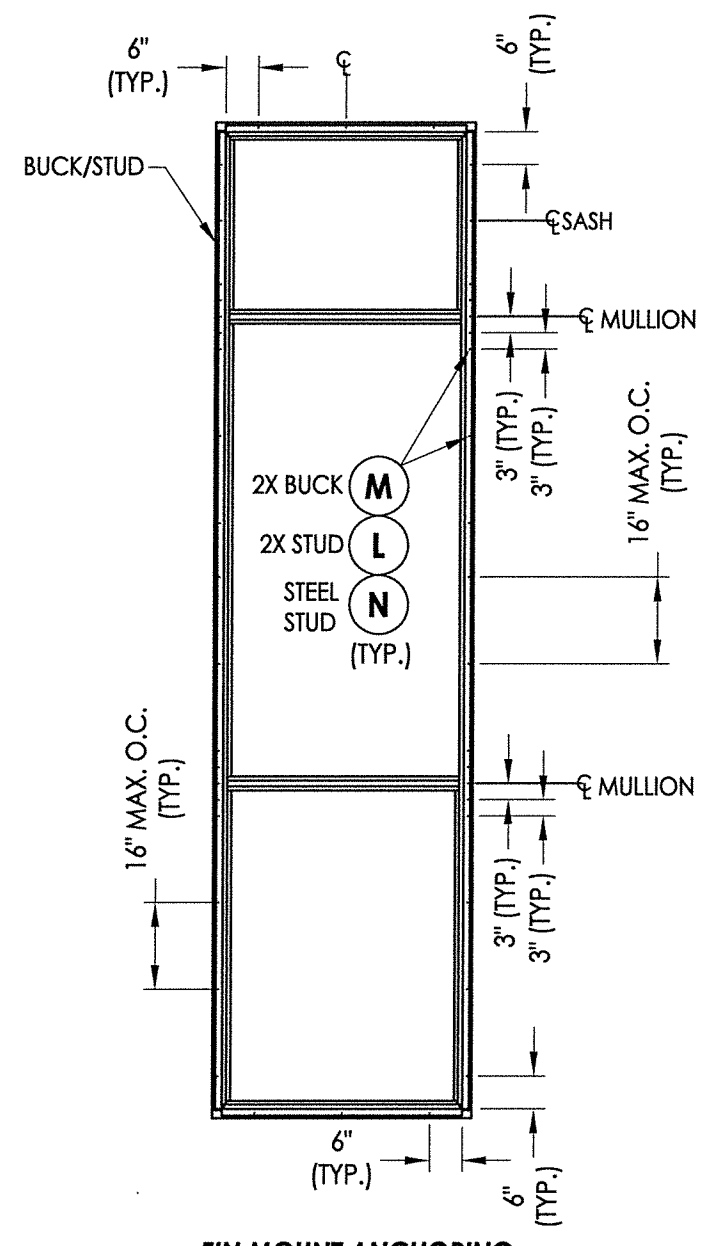
Z:\Clients\Fleetwood PERMANENTVA - Florida Product Approvals\FL-14904 Casement\C - Drawings\FL 14904 (2020)\FL-14904.13.dwg



BUCK ANCHORING



FRAME MOUNT ANCHORING



FIN MOUNT ANCHORING

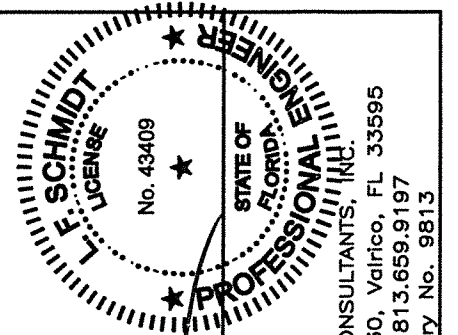
CONCRETE ANCHOR NOTES:

1. Concrete anchor locations at the corners may be adjusted to maintain the min. edge distance to mortar joints.
2. Concrete anchor locations noted as "MAX. ON CENTER" must be adjusted to maintain the min. edge distance to mortar joints, additional concrete anchors may be required to ensure the "MAX. ON CENTER" dimension are not exceeded.
3. Concrete anchor table:

ANCHOR TYPE	ANCHOR SIZE	MIN. EMBEDMENT	MIN. CLEARANCE TO MASONRY EDGE	MIN. CLEARANCE TO ADJACENT ANCHOR
ITW TAPCON®	1/4"	1-1/4"	2"	4"
DeWALT ULTRACON®	1/4"	1-1/4"	1"	4"

WOOD SCREW INSTALLATION NOTES:

1. Maintain a minimum 5/8" edge distance, 1" end distance, & 1" o.c. spacing of wood screws to prevent the splitting of wood.



December 7, 2021
 Documents Prepared By:
 Lyndon F. Schmidt
 P.E. No. 43409

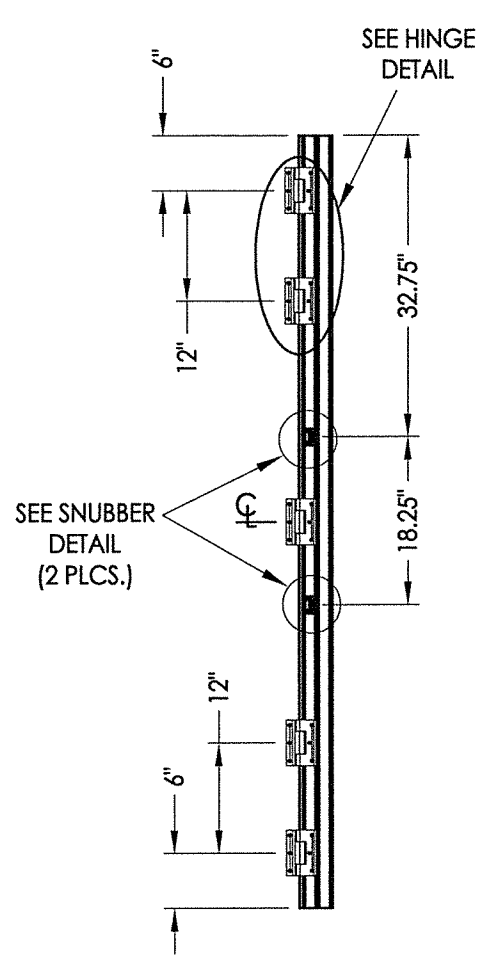
R.W. BUILDING CONSULTANTS, INC.
 P.O. Box 230, Vairico, FL 33595
 Phone No.: 813.659.9197
 FBPE Registry No. 9813

PRODUCT:
 FLEETWOOD WINDOWS & DOORS

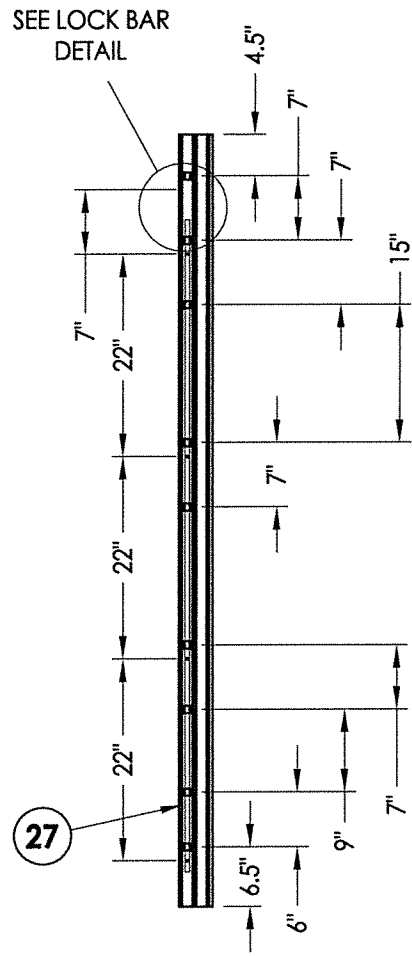
PART OR ASSEMBLY:
 BUCK & FRAME ANCHORING

NO.	DATE	BY

DATE: 12/01/21
 SCALE: N.T.S.
 DWG. BY: LFS
 CHK. BY: RW
 DRAWING NO.: FL-14904.13
 SHEET 6 OF 9

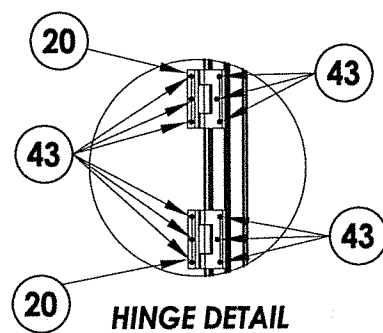


HINGE JAMB

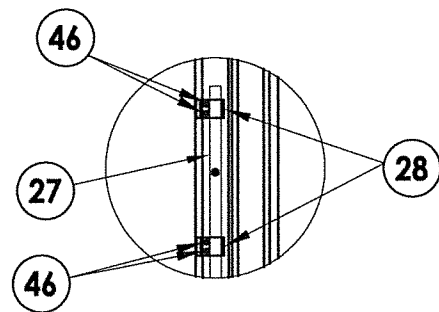


LOCK JAMB
LOCKING POINTS (5)

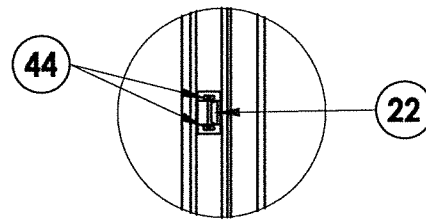
BUTT HINGES w/ MULTIPOINT LOCKING BAR



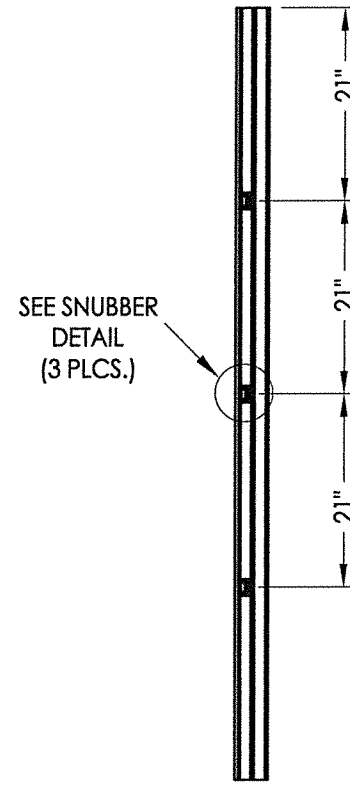
HINGE DETAIL



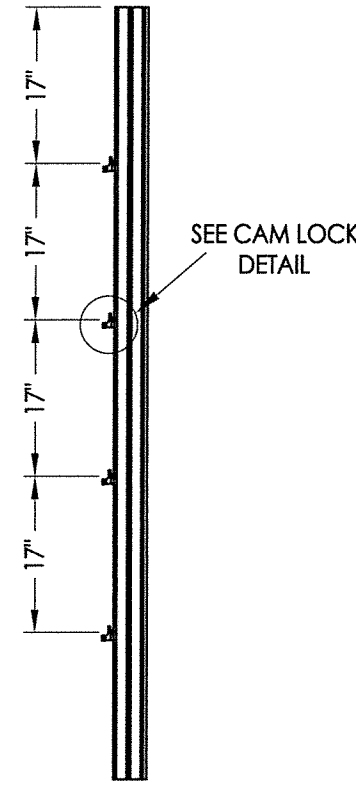
LOCK BAR DETAIL



SNUBBER DETAIL



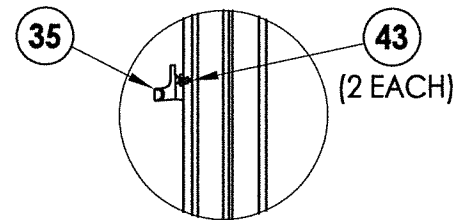
SNUBBERS JAMB



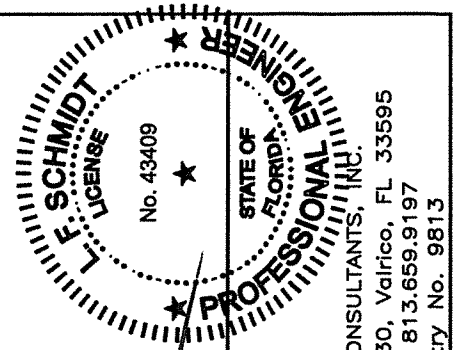
LOCK JAMB
CAM LOCKING POINTS (4)

4 POINT HINGE w/ CAM LOCKS

NOTE: Cam locks can be used in conjunction with the multipoint lock or in lieu of the multipoint lock.

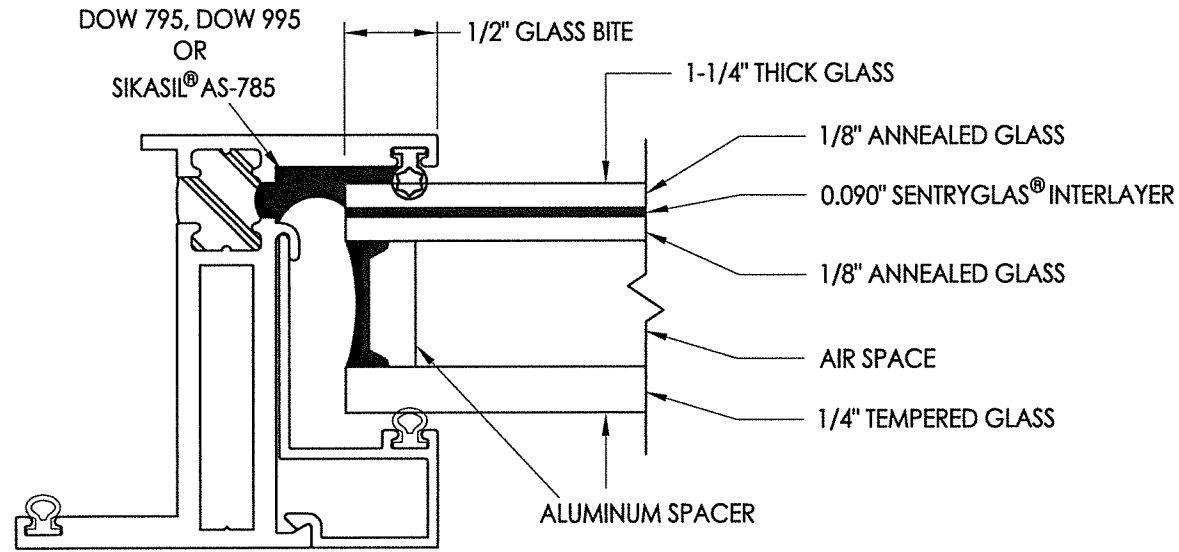


CAM LOCK DETAIL

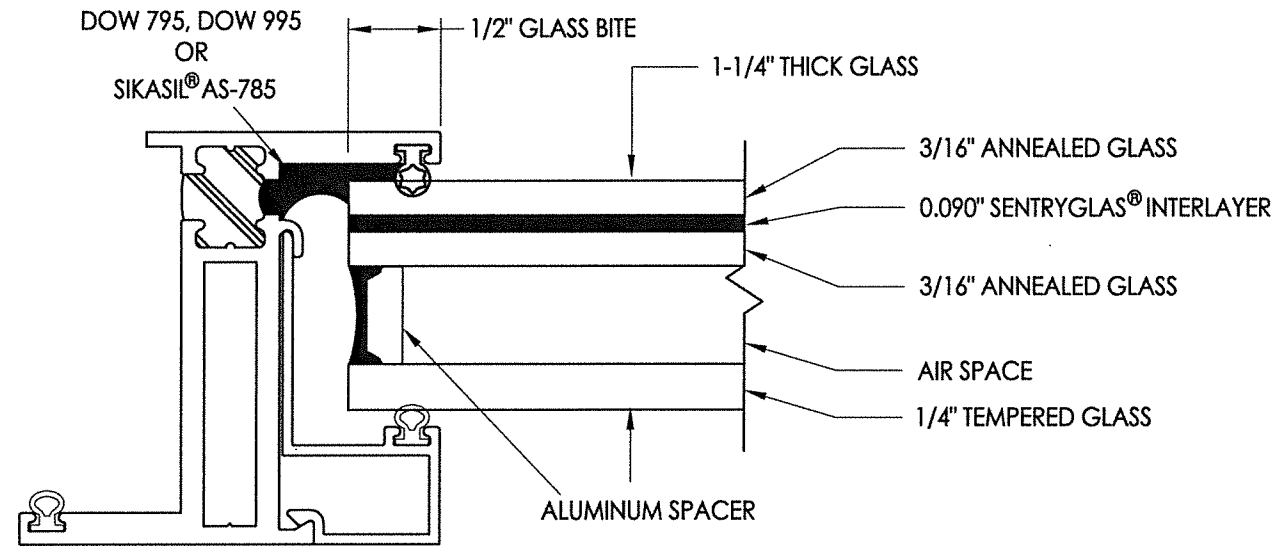


December 7, 2021
 Documents Prepared By:
 Lyndon F. Schmidt
 P.E. No. 43409
 R.W. BUILDING CONSULTANTS, INC.
 P.O. Box 230, Valrico, FL 33595
 Phone No.: 813.659.9197
 FBPE Registry No. 9813

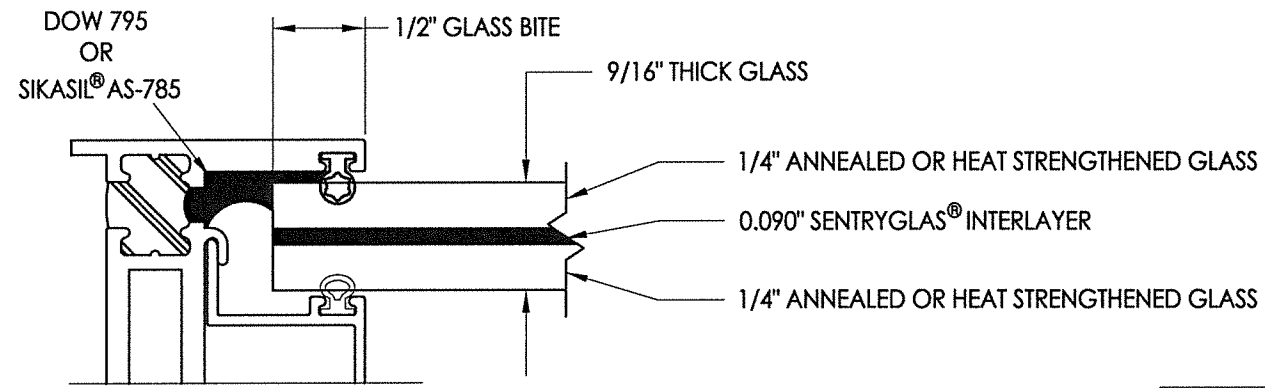
PRODUCT:	FLEETWOOD WINDOWS & DOORS	
PART OR ASSEMBLY:	HARDWARE DETAILS	
NO.	DATE	BY
REVISIONS		
DATE:	12/01/21	
SCALE:	N.T.S.	
DWG. BY:	LFS	
CHK. BY:	RW	
DRAWING NO.:	FL-14904.13	
SHEET	7	OF 9



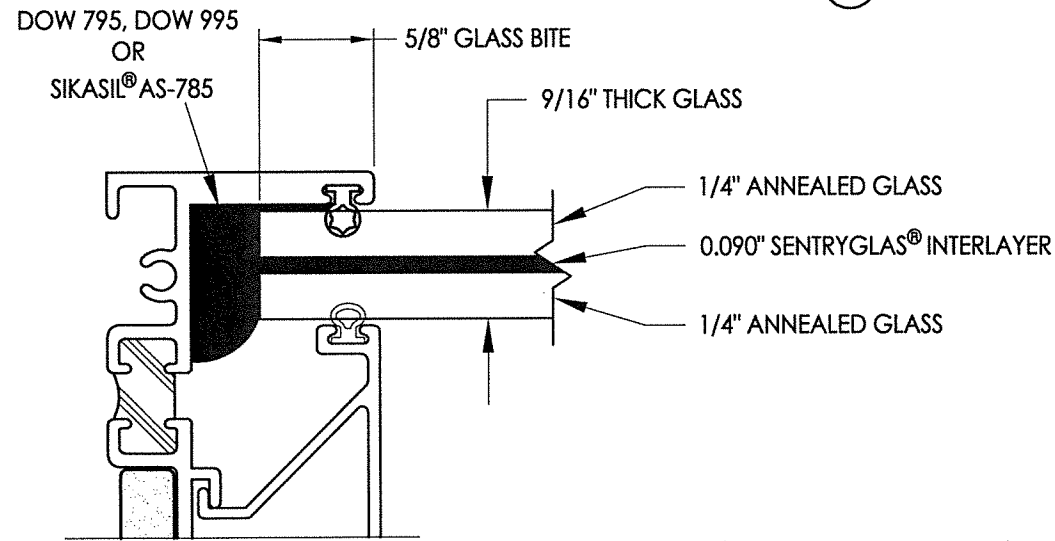
G1 GLAZING DETAIL



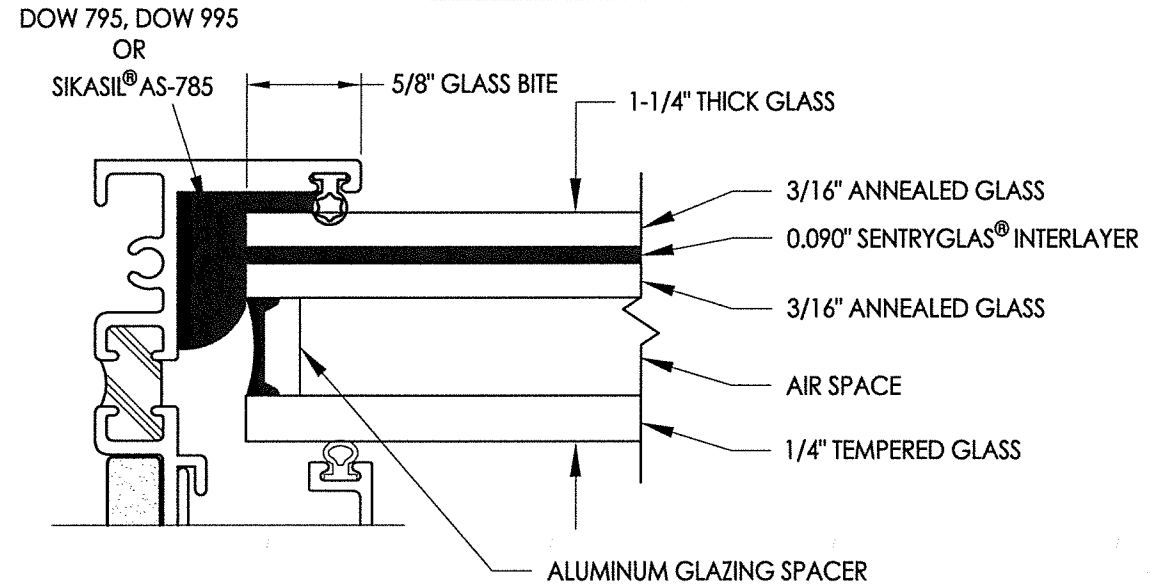
G2 GLAZING DETAIL



G3 GLAZING DETAIL



G4 GLAZING DETAIL



G5 GLAZING DETAIL

NOTE: GLAZING > 36" WIDE REQUIRES AT LEAST TWO (2) SETTING BLOCKS CONFORMING TO FBC SECTION 2411.3.3.1.

December 7, 2021
 Documents Prepared By:
 Lyndon F. Schmidt
 P.E. No. 43409

R.W. BUILDING CONSULTANTS, INC.
 P.O. Box 230, Valrico, FL 33595
 Phone No.: 813.659.9197
 FBPE Registry No. 9813

PRODUCT:	FLEETWOOD WINDOWS & DOORS	PART OR ASSEMBLY:	GLAZING DETAILS
NO.		DATE	BY
REVISIONS			
DATE: 12/01/21			
SCALE: N.T.S.			
DWG. BY: LFS			
CHK. BY: RW			
DRAWING NO.: FL-14904.13			
SHEET 8 OF 9			

