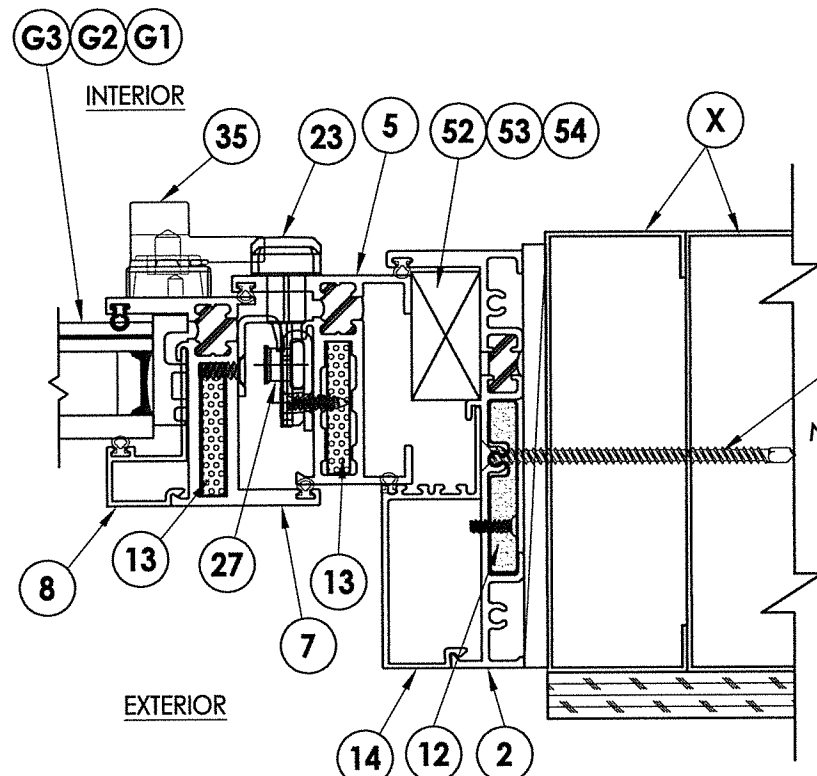
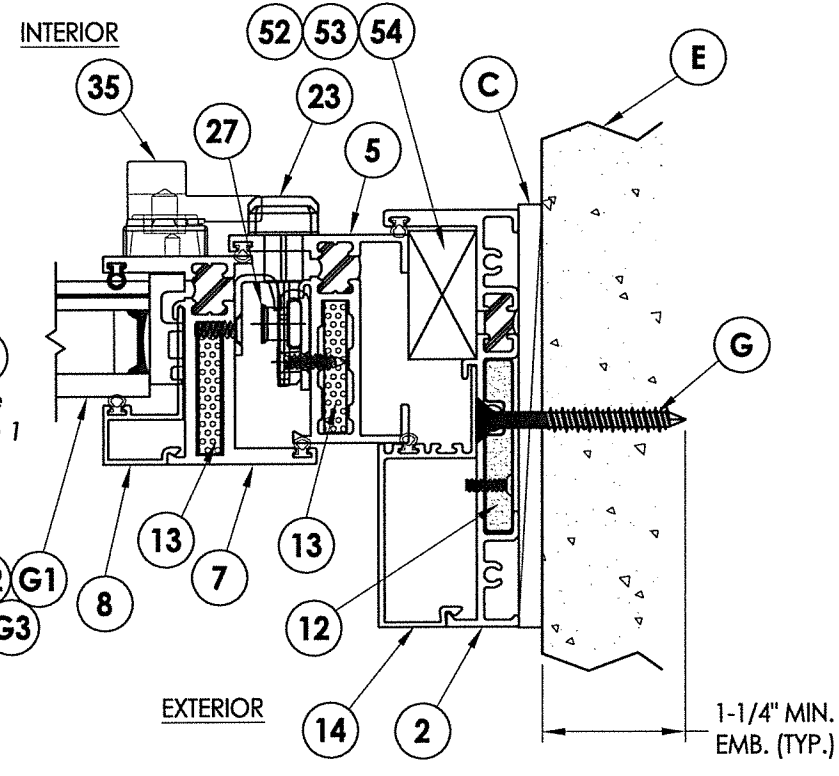


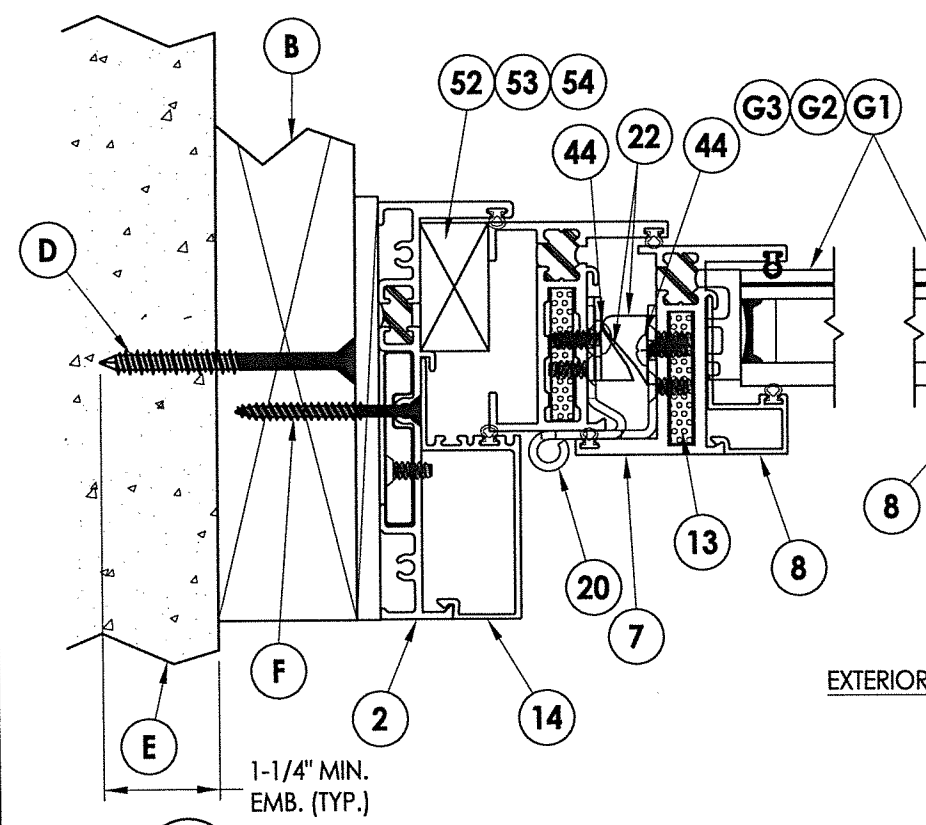
Z:\Clients\Fleetwood PERMANENTIA - Florida Product Approvals\FL-14904 Casement\C - Drawings\FL-14904 (2020) R8\FL-14904.12.dwg



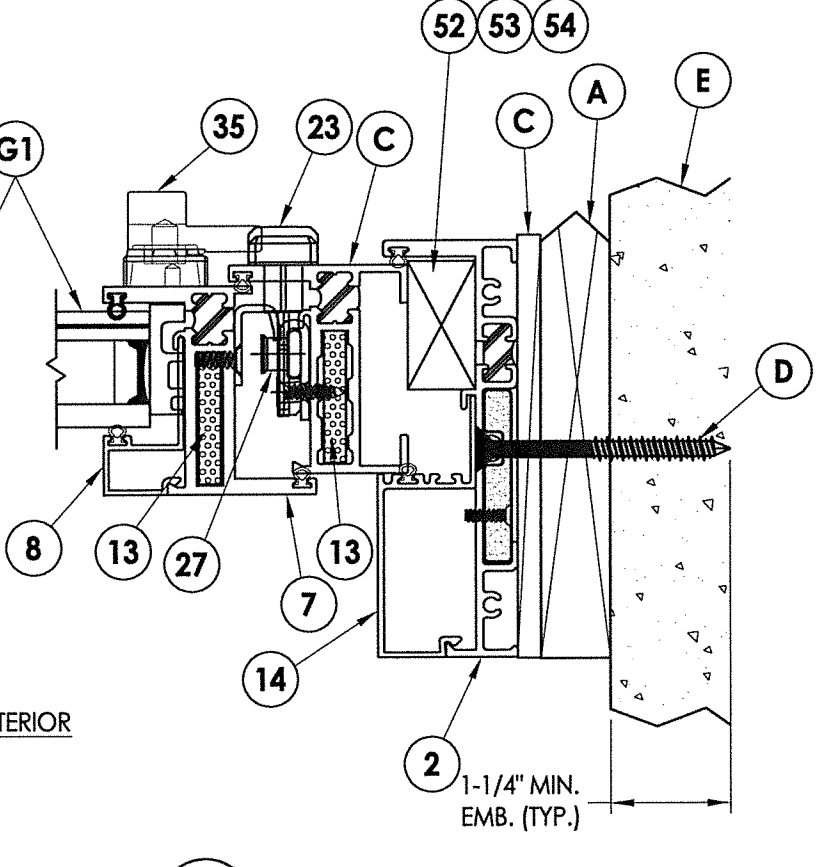
3 HORIZONTAL CROSS SECTION
4 Shown w/ Steel Stud option



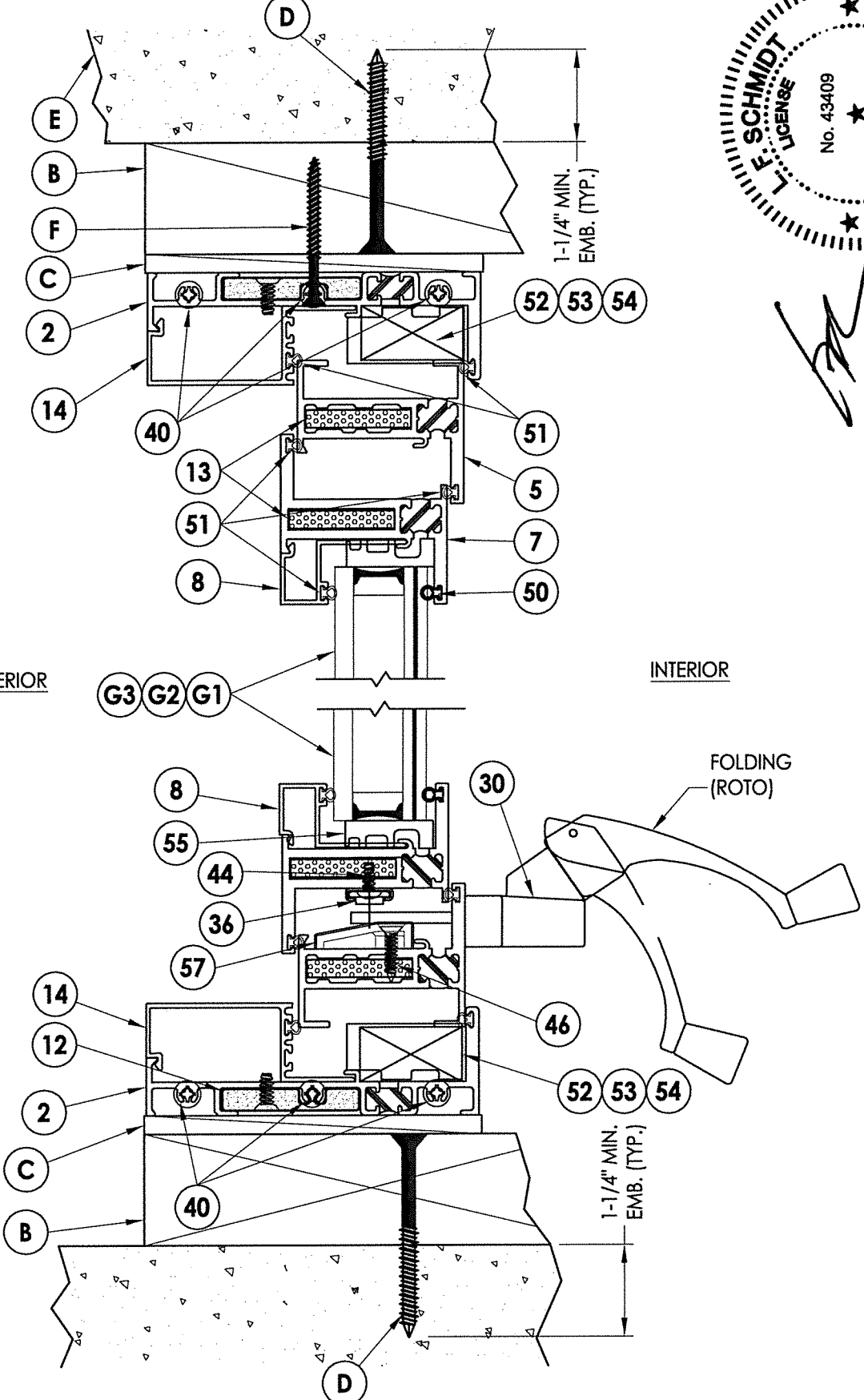
4 HORIZONTAL CROSS SECTION
4 Shown w/ Direct to Masonry option



1 HORIZONTAL CROSS SECTION
4 Shown w/ 2X Buck Construction

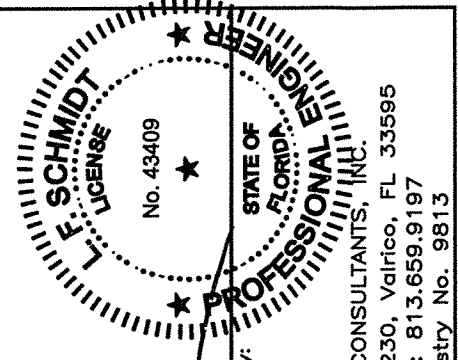


2 HORIZONTAL CROSS SECTION
4 Shown w/ 1X Sub buck option



5 VERTICAL CROSS SECTION
4 Shown w/ 2X Buck Construction

NOTE:
 1. Sheet Metal Screws must penetrate a min. of 3 threads through at least two (2) sheets of metal.

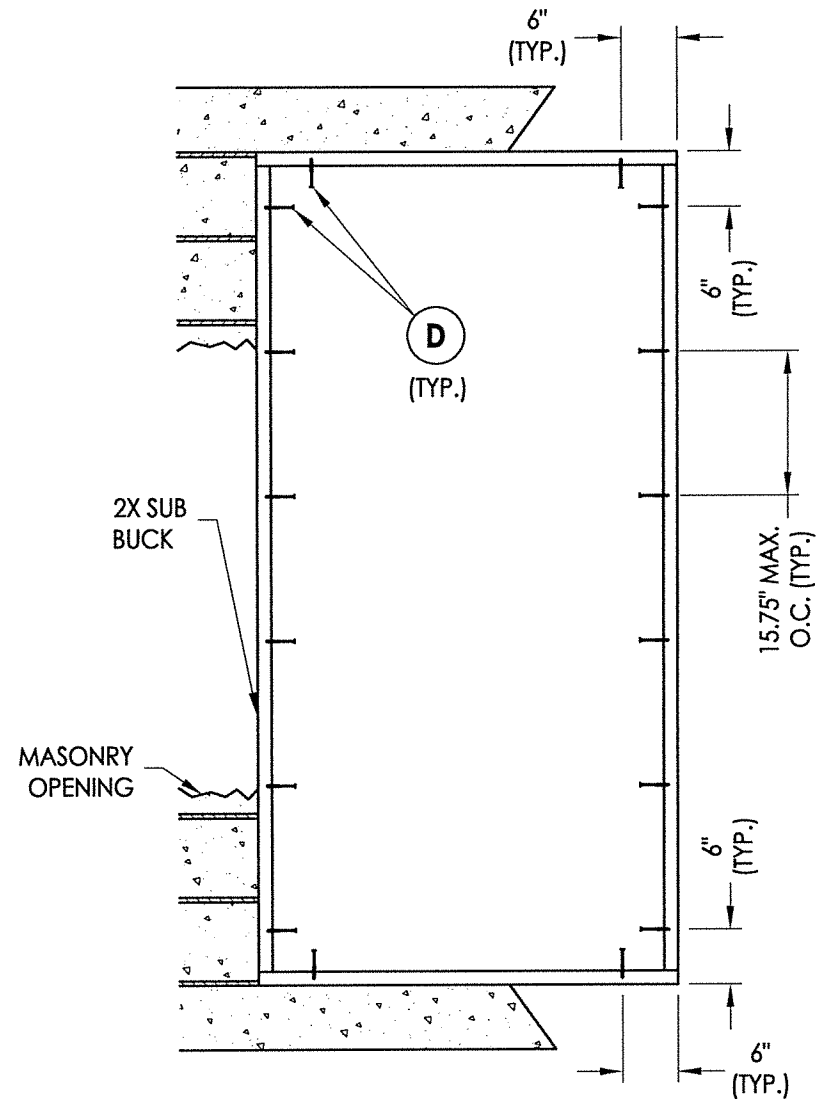


December 7, 2021
 Documents Prepared By:
 Lyndon F. Schmidt
 P.E. No. 43409
 R.W.
 BUILDING CONSULTANTS, INC.
 P.O. Box 230, Valrico, FL 33595
 Phone No.: 813.659.9197
 FBPE Registry No. 9813

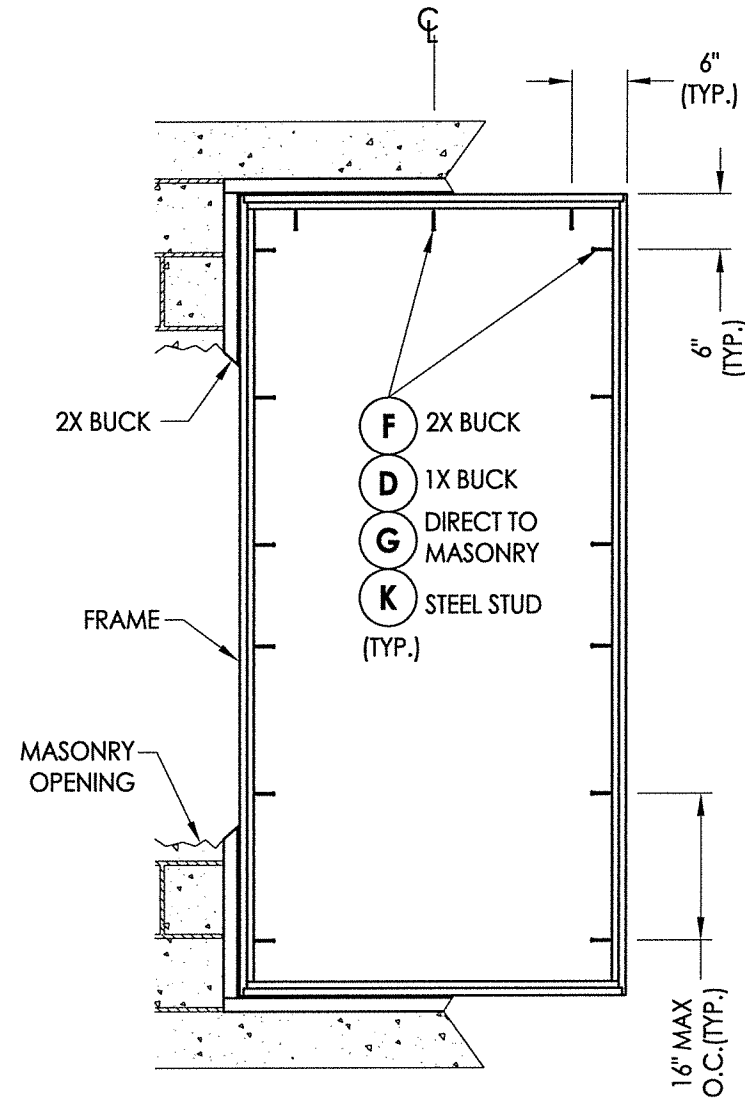
PRODUCT:
 FLEETWOOD WINDOWS & DOORS
 PART OR ASSEMBLY:
 HORIZONTAL & VERTICAL
 CROSS SECTIONS

NO.	DATE	BY	REVISIONS

DATE: 12/01/21
 SCALE: N.T.S.
 DWG. BY: LFS
 CHK. BY: RW
 DRAWING NO.: FL-14904.12
 SHEET 4 OF 9



2X BUCK ANCHORING



FRAME MOUNT ANCHORING

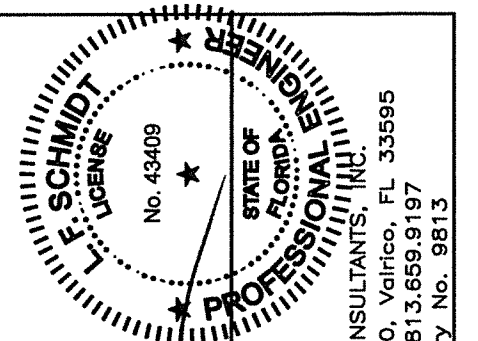
CONCRETE ANCHOR NOTES:

1. Concrete anchor locations at the corners may be adjusted to maintain the min. edge distance to mortar joints.
2. Concrete anchor locations noted as "MAX. ON CENTER" must be adjusted to maintain the min. edge distance to mortar joints, additional concrete anchors may be required to ensure the "MAX. ON CENTER" dimension are not exceeded.
3. Concrete anchor table:

ANCHOR TYPE	ANCHOR SIZE	MIN. EMBEDMENT	MIN. CLEARANCE TO MASONRY EDGE	MIN. CLEARANCE TO ADJACENT ANCHOR
ITW TAPCON®	1/4"	1-1/4"	2"	4"
DeWALT ULTRACON+®	1/4"	1-1/4"	1"	4"

WOOD SCREW INSTALLATION NOTES:

1. Maintain a minimum 5/8" edge distance, 1" end distance, & 1" o.c. spacing of wood screws to prevent the splitting of wood.



December 7, 2021
 Documents Prepared By:
 Lyndon F. Schmidt
 P.E. No. 43409
 R.W. BUILDING CONSULTANTS, INC.
 P.O. Box 230, Valrico, FL 33595
 Phone No.: 813.659.9197
 FBPE Registry No. 9813

PRODUCT:
 FLEETWOOD WINDOWS & DOORS
 PART OR ASSEMBLY:
 BUCK & FRAME ANCHORING

NO.	DATE	BY	REVISIONS

DATE: 12/01/21
 SCALE: N.T.S.
 DWG. BY: LFS
 CHK. BY: RW
 DRAWING NO.: FL-14904.12
 SHEET 6 OF 9

