



1. General Notes

- a. These systems have been tested, analyzed and approved as described herein.
- b. Buck opening (by others) & buck fasteners must be properly designed & installed to transfer loads to the structure and to be reviewed by building official. Buck design and installation is the responsibility of the engineer or architect of record for the project of installation.
- c. The number of installation anchors depicted is the minimum number of anchors to be used for product installation.
- d. Install individual installation anchors within a tolerance of $\pm \frac{1}{2}$ inch of the depicted location in the elevation / anchor layout detail. Tolerances are not cumulative from one installation anchor to the next.
- e. The installation details described herein are generic and may not reflect actual conditions for a specific site. If site conditions cause installation to deviate from the requirements detailed herein, a licensed engineer or architect shall prepare site specific document for use with this document.
- f. All hardware & fasteners shall be in accordance with these drawings & may not vary unless specifically mentioned on the drawings.
- g. These systems have been designed in accordance with the current Florida Building Code including high velocity hurricane zone (HVHZ - Large Missile Impact Only).
- h. All anchors shall be installed as specified on these drawings. Specified embedment to base material shall be beyond wall finish or stucco.
- i. Materials, including but not limited to steel screws, that come into contact with other dissimilar materials shall meet the corrosion resistant requirements of AAMA and Florida Building Code glazing types used (see glazing detail page A6).

2. Specification:

- AAMA/WDMA/CSA 101/I.S.2/A440-05
- TAS 201-94, 202-94, 203-94

3. Design Load Capacity

Rating + 50 PSF / -50 PSF, Water 12.11 PSF

4. Anchor Schedule

Installation Type (A)	Qty per Location (B)	Substrate (C)	Anchor Type (D)	Embedment (In.) (E)	Edge Distance (In.) (F)	Head / Sill O. C. Distance (In.) (G)	Jamb O. C. Distance (In.) (H)	Corner Distance (In.) (I)	Concentrated Area (Qty.) (J)
Shear Block	1	Wood	# 10 Wood Anchor	1.5	0.75	15	15	6	5
Shear Block	1	Concreted / Masonry	3/16" ITW Tapcon	1.25	2.5	15	15	6	5
Shear Block	1	Steel Stud	# 10 Self-Tapping Screw	3 Threads	N/A	12	8	6	15

[Handwritten Signature]
10-8-10



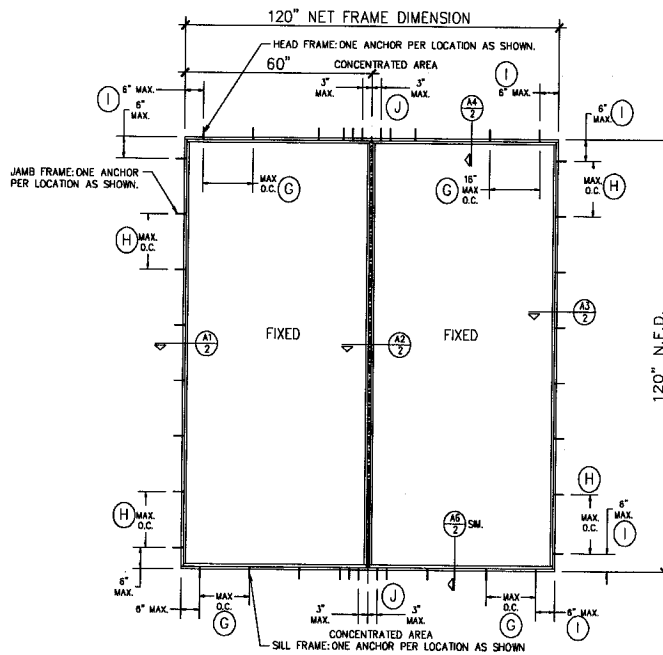
FLEETWOOD
Windows & Doors

KONA 3800 VERTICAL TDL
(AL) (O) (OG) (INS H.S. LAM GL) (ASTM)
INSTALLATION INSTRUCTIONS-ANCHOR SCHEDULE

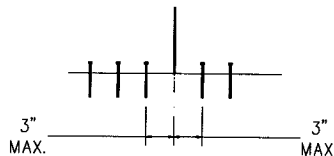
5. Size Limitations

Frame Size	
Maximum Frame Size without TDL Bar	120" x 60"
Maximum Frame TDL Bar Length	120"
Glazing Daylight Opening	
Maximum Glazing Size	120" x 60"
With Non-Intersecting TDL Bars	120" x 60"

6. Elevation Illustrations



NON-INTERSECTING TDL
(VERTICAL TDL SHOWN)



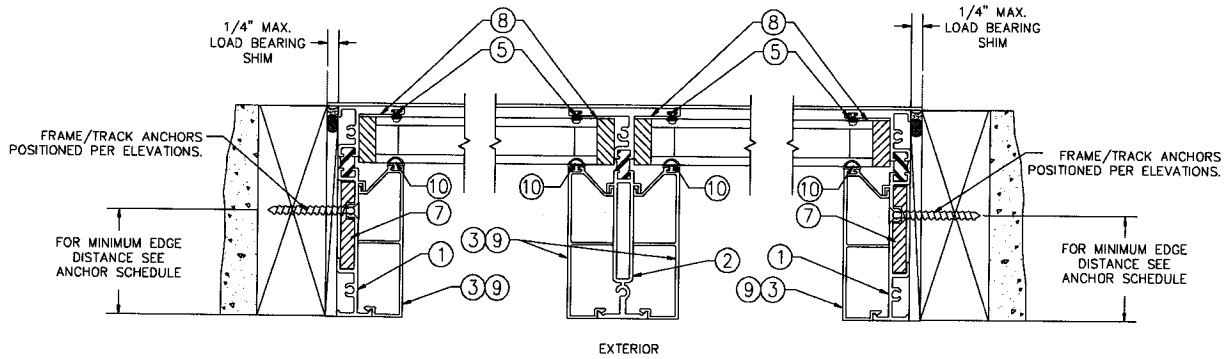
CONCENTRATED AREA
SEE ANCHOR SCHEDULE FOR QTY.

[Handwritten signature]
10-8-10



7. Cross Section Illustrations

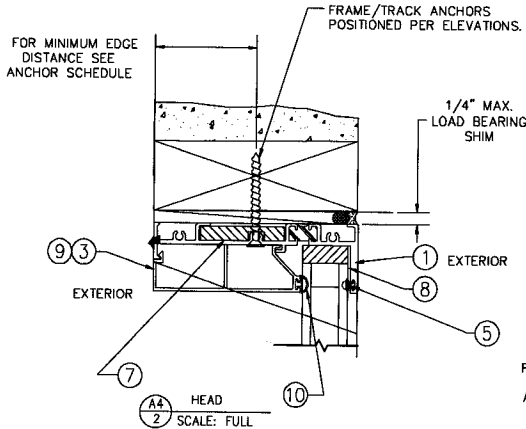
Note: Wood substrate shown



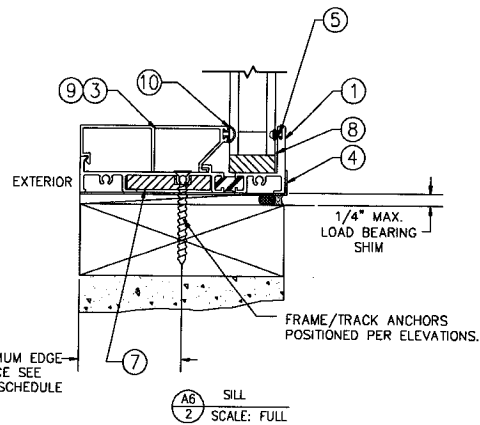
A1 JAMB
2 SCALE: FULL

A2 V. MULLION
2 SCALE: FULL

A3 JAMB
2 SCALE: FULL



A4 HEAD
2 SCALE: FULL



A6 SILL
2 SCALE: FULL

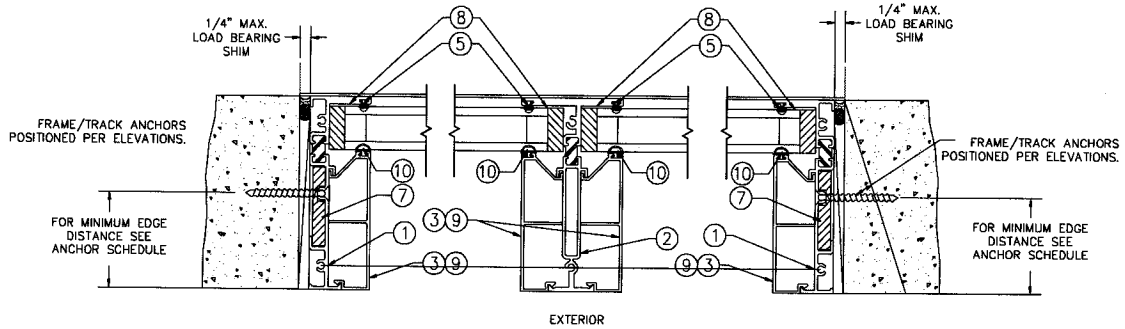
Professional Engineer Seal for Kristina M. Jucherty, No. 108155, State of Florida, dated 10-8-10.



FLEETWOOD
Windows & Doors

**KONA 3800 VERTICAL TDL
(AL) (O) (OG) (INS H.S. LAM GL) (ASTM)
INSTALLATION INSTRUCTIONS-ANCHOR SCHEDULE**

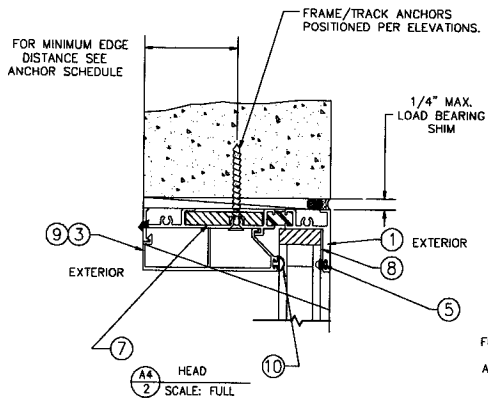
Note: Concrete substrate shown.



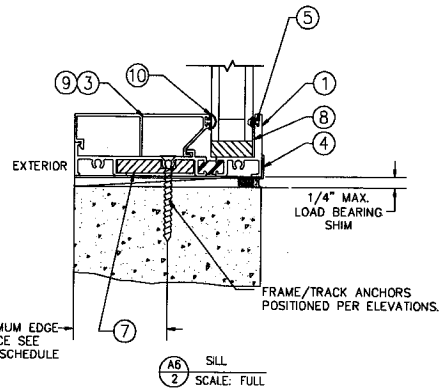
A1 JAMB
2 SCALE: FULL

A2 V. MULLION
2 SCALE: FULL

A3 JAMB
2 SCALE: FULL



A4 HEAD
2 SCALE: FULL



AB SILL
2 SCALE: FULL

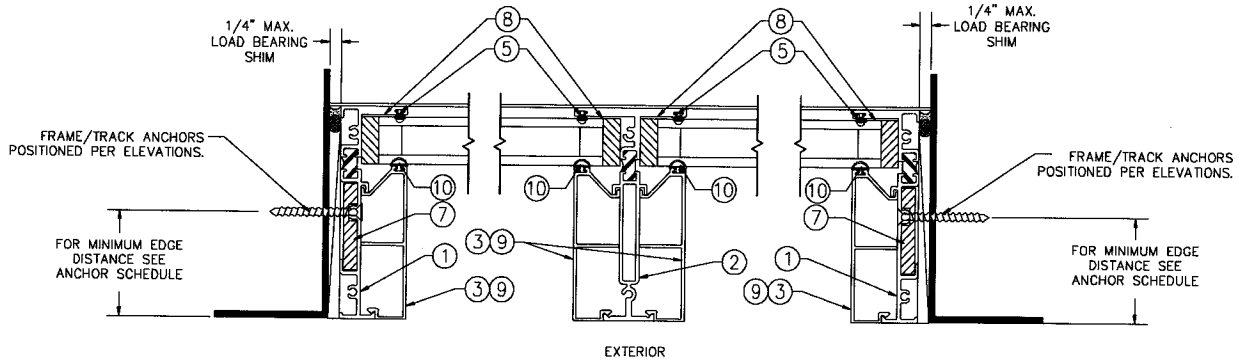
Handwritten signature and date:
10-8-10
Professional Engineer Seal: KRISTINA M. LIBERTY, ENGINEER, No. 10454, State of Florida



FLEETWOOD
Windows & Doors

KONA 3800 VERTICAL TDL
(AL) (O) (OG) (INS H.S. LAM GL) (ASTM)
INSTALLATION INSTRUCTIONS-ANCHOR SCHEDULE

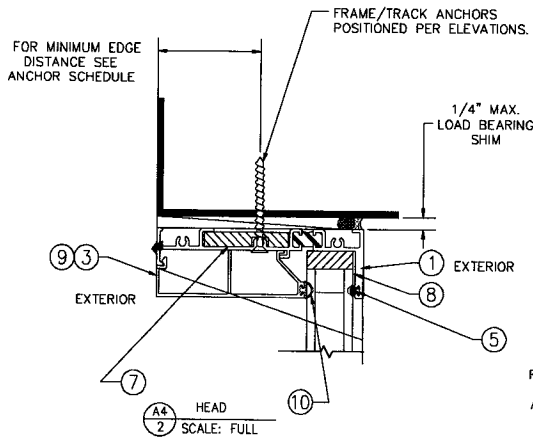
Note: Steel substrate shown.



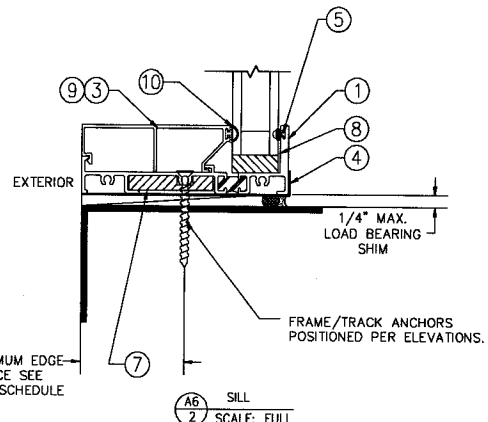
A1 JAMB
2 SCALE: FULL

A2 V. MULLION
2 SCALE: FULL

A3 JAMB
2 SCALE: FULL



A4 HEAD
2 SCALE: FULL



A6 SILL
2 SCALE: FULL

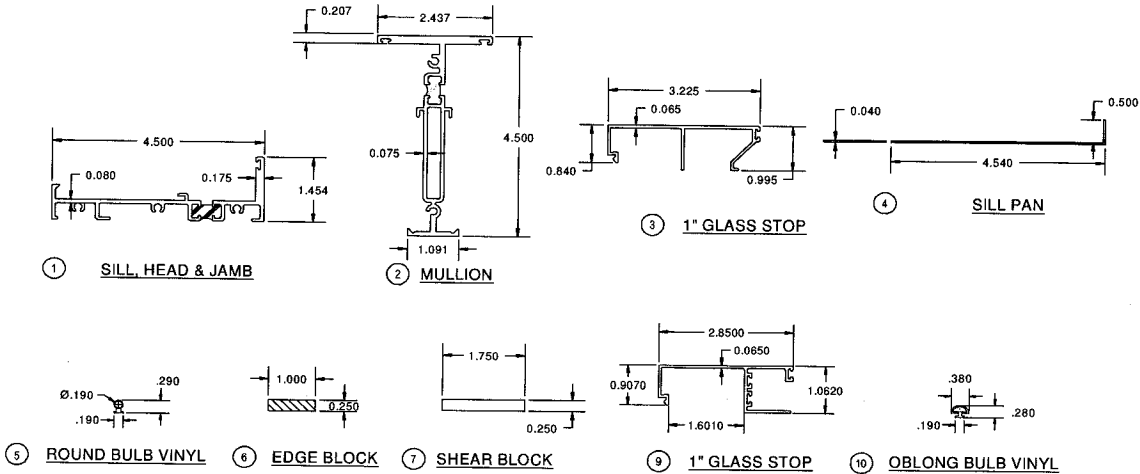
PROFESSIONAL ENGINEER
STATE OF CALIFORNIA
NO. 8455
10-8-10



FLEETWOOD
Windows & Doors

**KONA 3800 VERTICAL TDL
(AL) (O) (OG) (INS H.S. LAM GL) (ASTM)
INSTALLATION INSTRUCTIONS-ANCHOR SCHEDULE**

8. Components and Bill of Materials

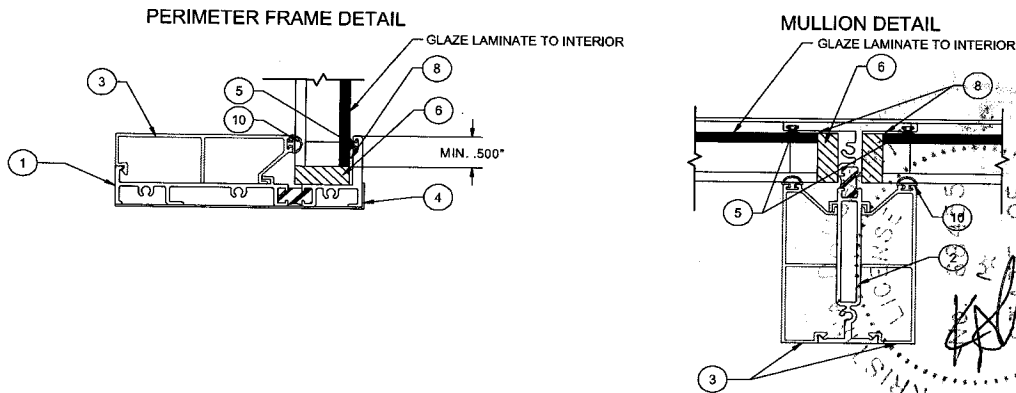


ITEM #	PART	ITEM DESCRIPTION	MANUFACTURE/ NOTES
1	3805	SILL, HEAD JAMB	6063-T6 ALUMINUM - EXTRUDED
2	3806	MULLION	6063-T6 ALUMINUM - EXTRUDED
3	3801	1.250" GLASS STOP	6063-T6 ALUMINUM - EXTRUDED
4	3822	SILL PAN	5052 ALUMINUM
5	BL-372	ROUND BULB VINYL	BANDLOCK
6	SB250-1000X4+Z	SETTING BLOCK	SECON RUBBER & PLASTIC, INC
7		SHEAR BLOCK	ALUMINUM
8		SEALANT	TREMCO/S300 NEUTRAL CURE
9	3811	1.250" GLASS STOP	6063-T6 ALUMINUM - EXTRUDED
10	BL-520	OBLONG BULB VINYL	BANDLOCK

9. Glazing Type and Detail

Impact / HVHZ (Large Missile Impact Only)

Overall thickness 1-1/4" Insulating Laminated Glass Comprised of: .180" Heat Strengthened - 5/8" Air space, Aluminum spacer - .180" Heat Strengthened - 90 Mil Sentry Glass - .180" Heat Strengthened.



Handwritten signature and date: 10-8-10