

FLEETWOOD
 WINDOWS & DOORS
 FleetwoodUSA.com

SERIES 3800-T -- SERIES 250C

CONCEPTUAL DRAWING

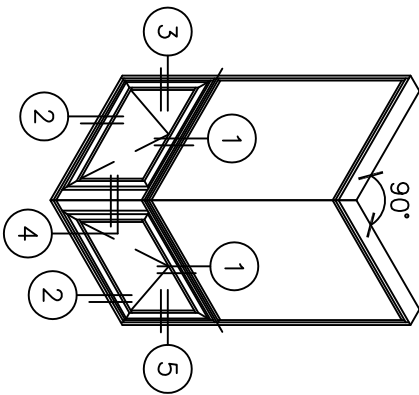
U:\Cadfiles_Admin\Products\3800-T\Concept_Dwgs

DWG NO.: 3800-T-C08

DATE: 12/10/14

SCALE: 1/2" = 1'

CONCEPT TO ILLUSTRATE SERIES 3800-T 90° CORNER WITH SERIES 250C 90° CORNER POST AND AWNING INSERTS

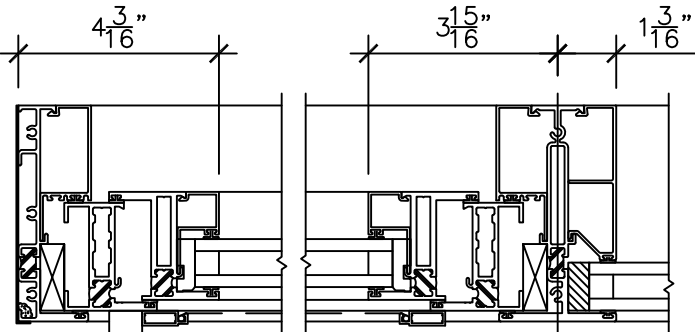


⑤
 SERIES 3800 JAMB
 W/ SERIES 250C
 AWNING INSERT

①
 SERIES 3800-T TDL BAR
 FIXED / SERIES 250C
 AWNING INSERT

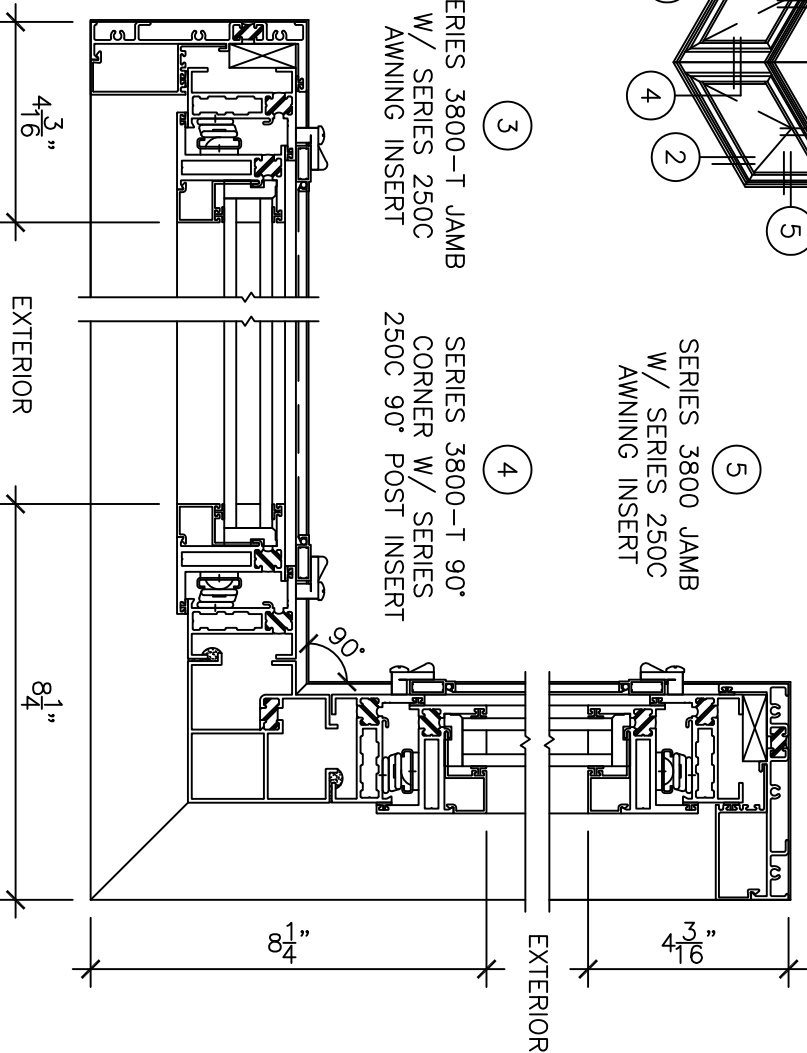
EXTERIOR

②
 SERIES 3800-T SILL
 W/ SERIES 250C
 AWNING INSERT



③
 SERIES 3800-T JAMB
 W/ SERIES 250C
 AWNING INSERT

④
 SERIES 3800-T 90°
 CORNER W/ SERIES
 250C 90° POST INSERT



EXTERIOR

EXTERIOR

SERIES 3800-T