

**FLEETWOOD**  
WINDOWS & DOORS  
FleetwoodUSA.com

# SERIES 3800-T U-CORNER

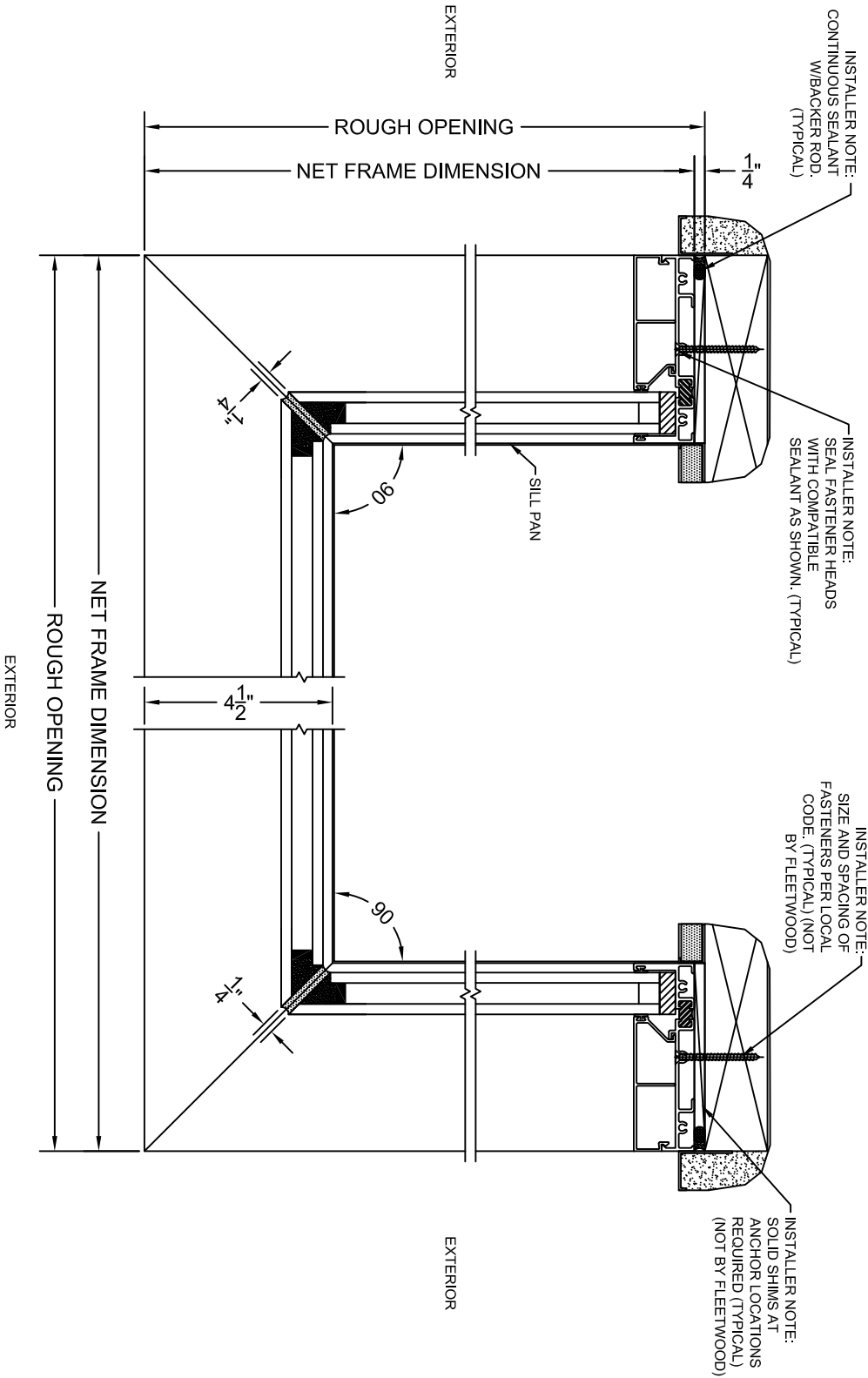
CONCEPT DRAWING

U:\Cadfiles\_Admin\Products\3800-T\Concept\_Dwgs

DWG NO.: 3800-T-C07

DATE: 12/10/14

SCALE: 3" = 1'



SERIES 3800-T U-CORNER (BLOCK FRAME) PLAN VIEW