

FLEETWOOD
WINDOWS & DOORS
FleetwoodUSA.com

SERIES 3800-T--SERIES 250

CONCEPTUAL DRAWING

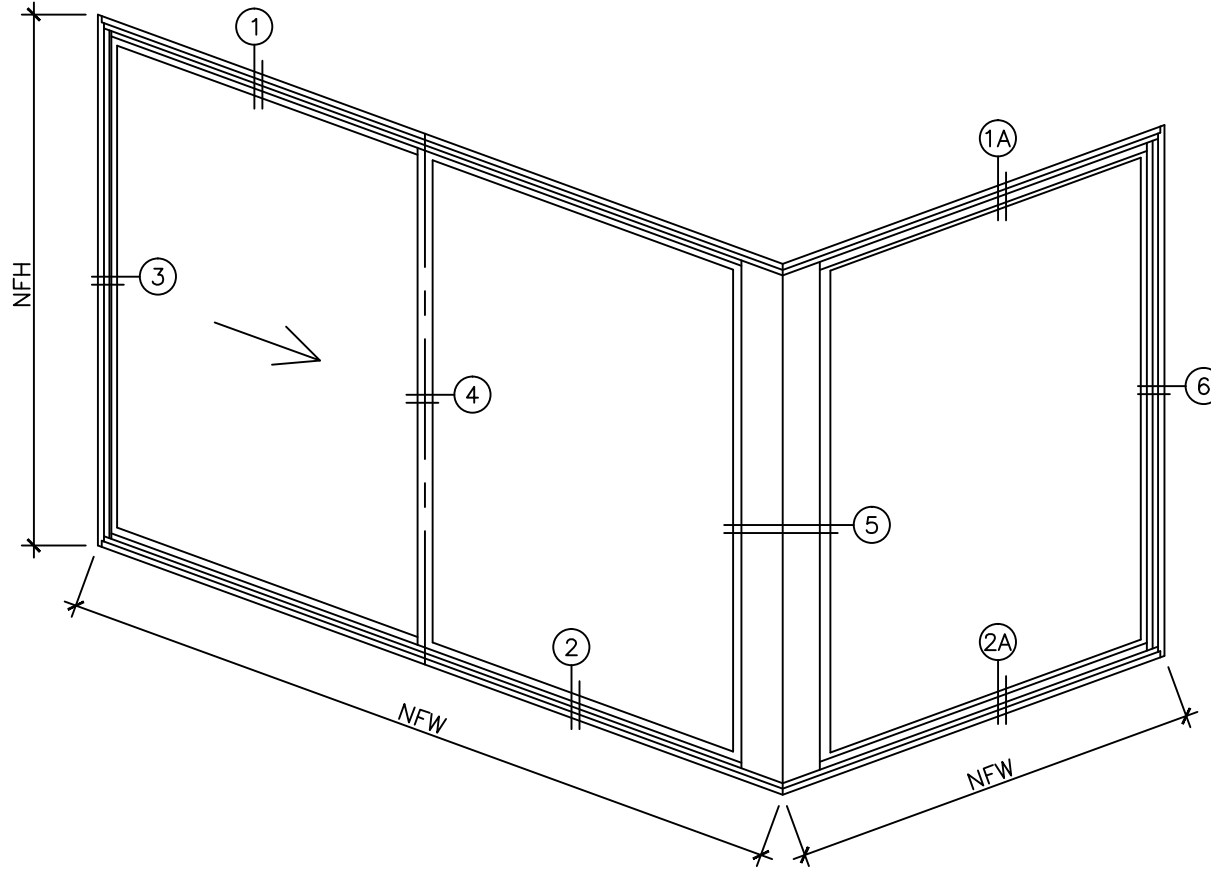
U:\Cadfiles_Admin_Products\3800-T\Concept_Dwgs

DWG NO.: 3800-T-C04

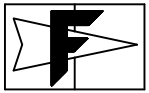
DATE: 12/10/14

SCALE: 1/2" = 1'

CONCEPT TO ILLUSTRATE SERIES 3800-T 90° CORNER
WITH SERIES 250 90° POST WITH HS-X0|0



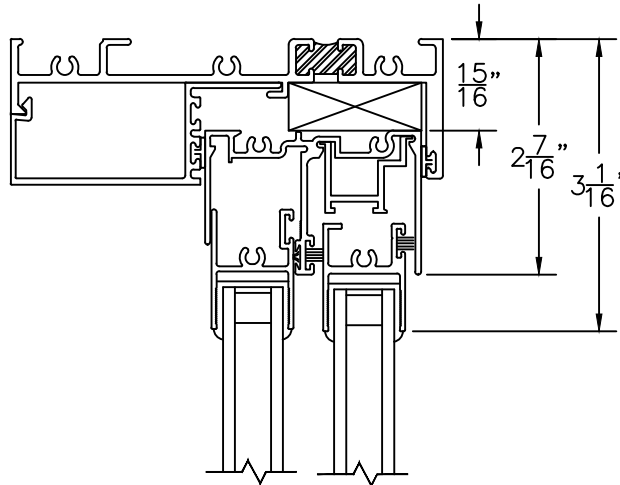
SERIES 3800-T



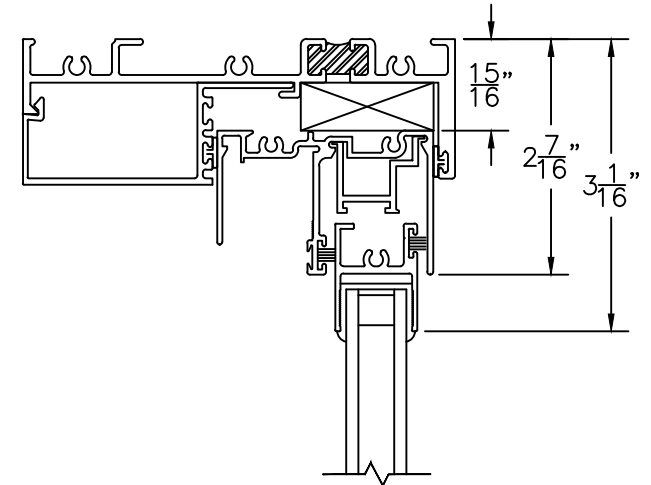
SCALE: 6" = 1'

CONCEPT TO ILLUSTRATE SERIES 3800-T 90° CORNER
WITH SERIES 250 90° POST WITH HS-XO|O

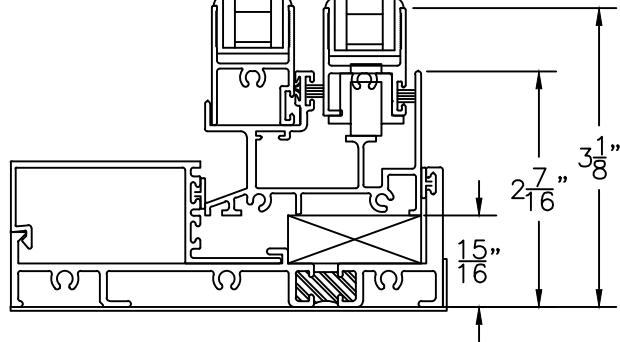
①
3800-T HEAD
W/250 HS-XO
INSERT



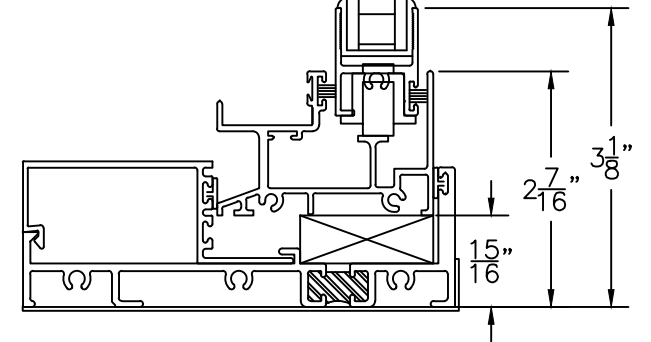
①A
3800-T HEAD
W/250 HS
O-PANELIZED INSERT

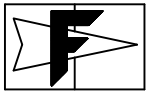


②
3800-T SILL
W/250 HS-XO
INSERT



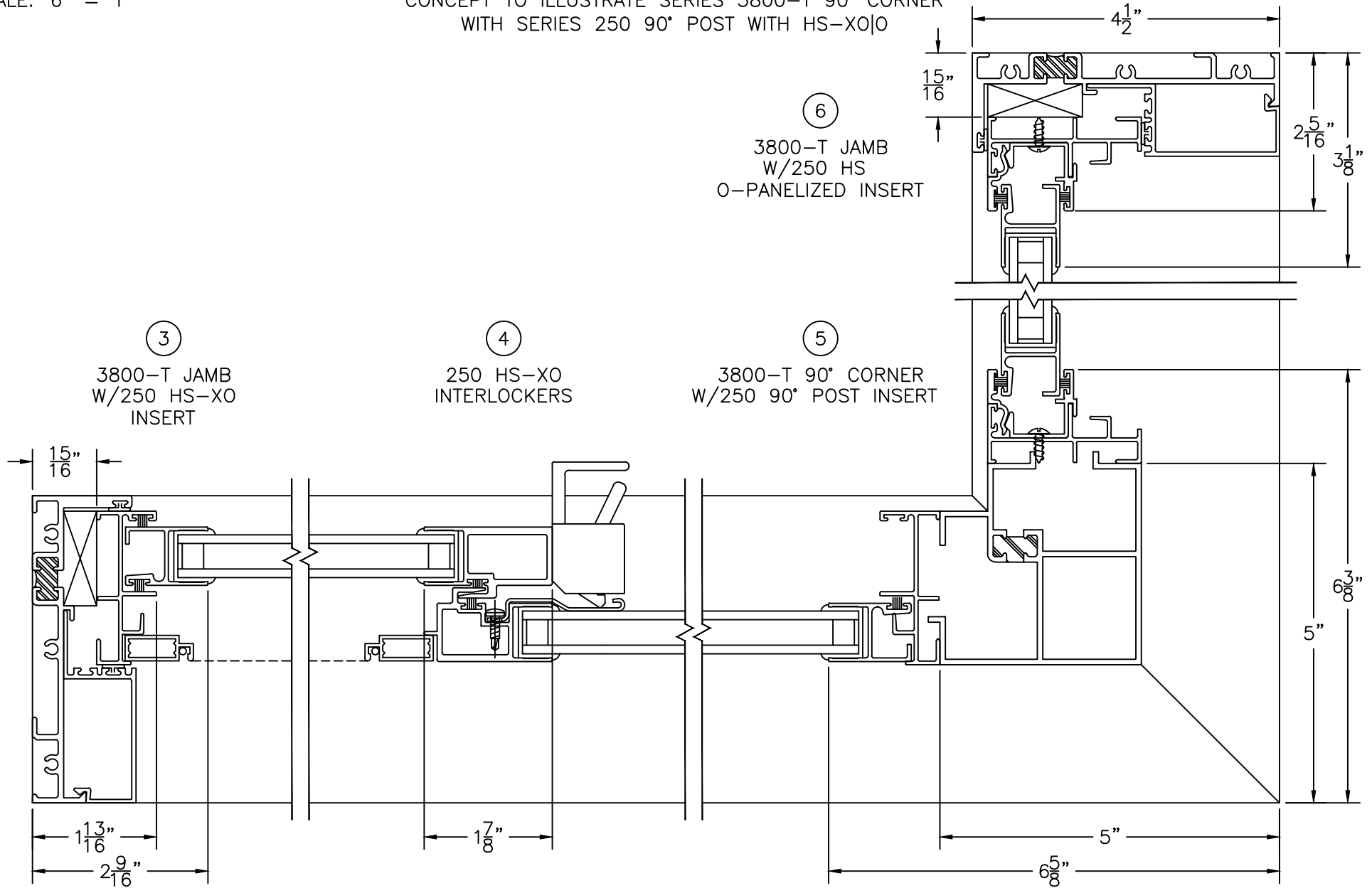
②A
3800-T SILL
W/250 HS
O-PANELIZED INSERT





SCALE: 6" = 1'

CONCEPT TO ILLUSTRATE SERIES 3800-T 90° CORNER
WITH SERIES 250 90° POST WITH HS-XO|O



SERIES 3800-T