

(USE RULER TO SCALE DIMENSIONS IN INCHES)

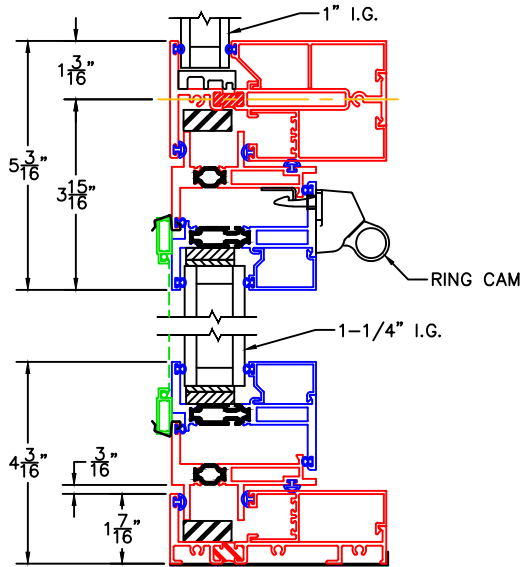
SCALE: 1/4"

**3800-T FIXED WINDOW DETAILS WITH
450-T HOPPER INSERTS**

①
HORIZONTAL TDL
W/HOPPER
W/FLAT SCREEN

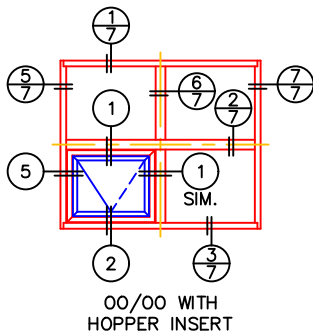
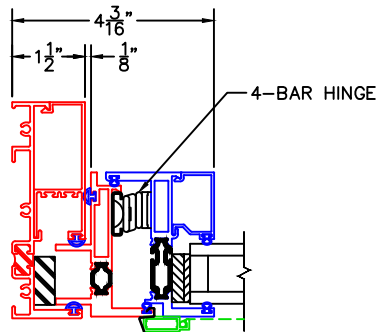
EXTERIOR

②
BLOCK SILL
W/HOPPER
W/FLAT SCREEN

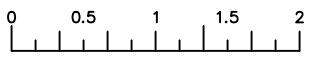


③
BLOCK JAMB
WITH HOPPER

EXTERIOR



OO/OO WITH
HOPPER INSERT

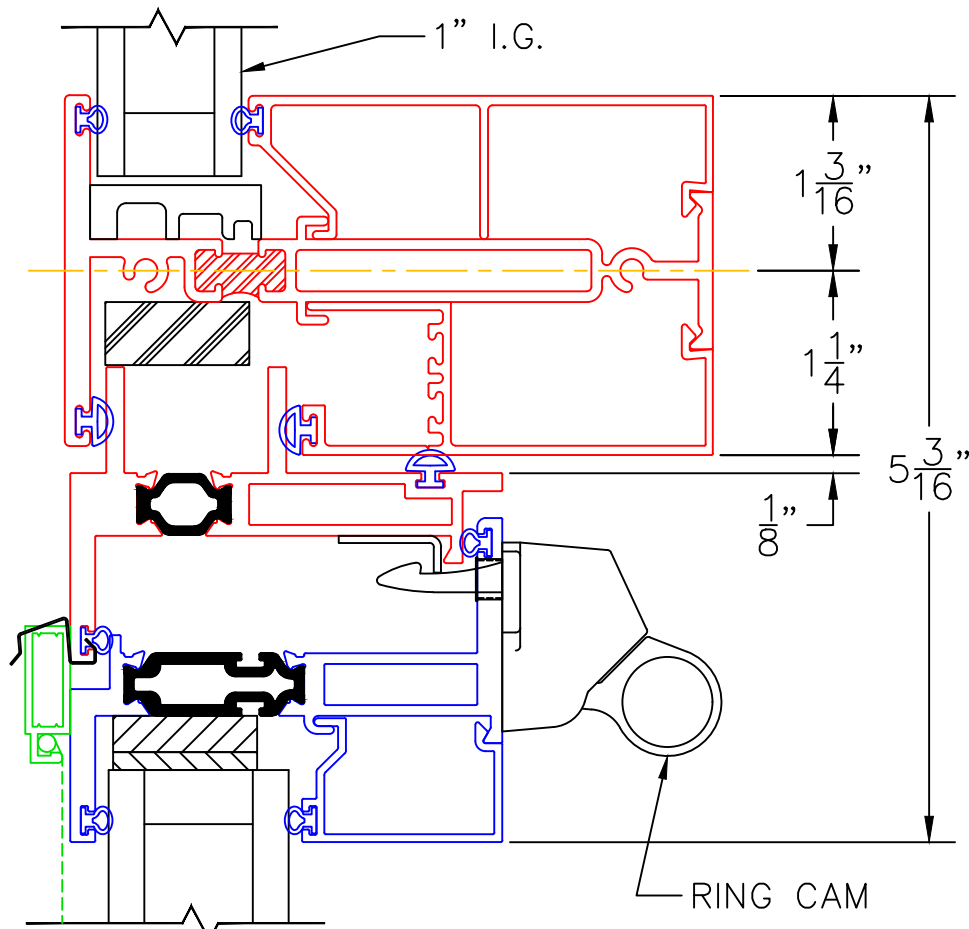


(USE RULER TO SCALE DIMENSIONS IN INCHES)

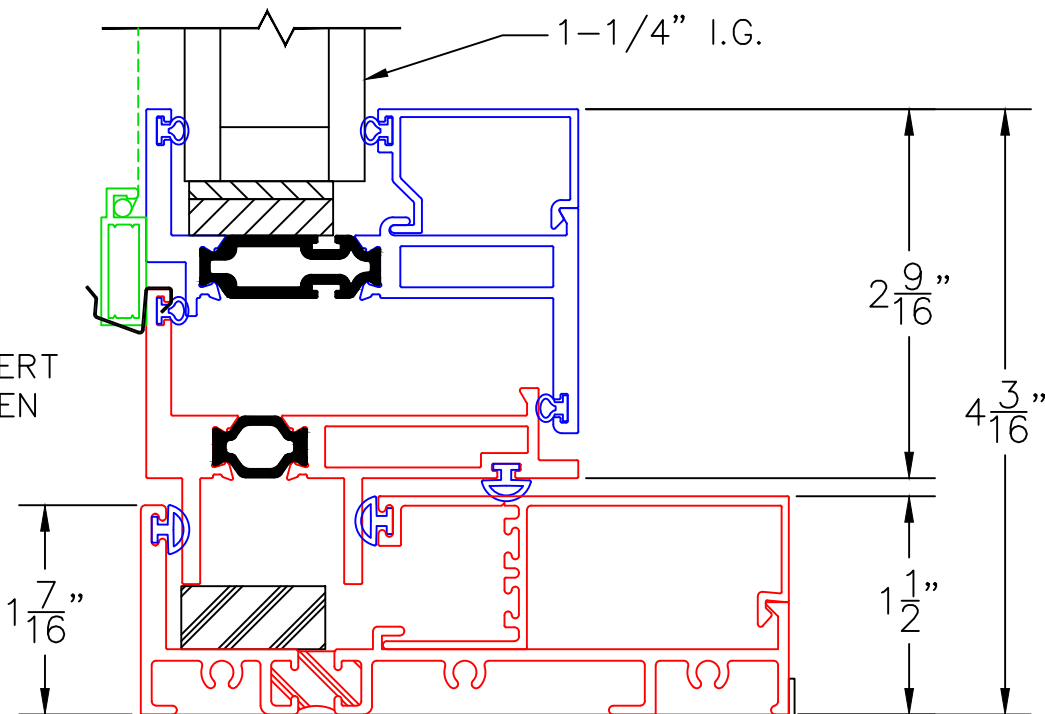
SCALE: 3:4

FIXED WINDOW DETAILS
WITH 450-T INSERT

①
HORIZONTAL TDL
WITH HOPPER INSERT
WITH FLAT SCREEN



②
BLOCK SILL
WITH HOPPER INSERT
WITH FLAT SCREEN

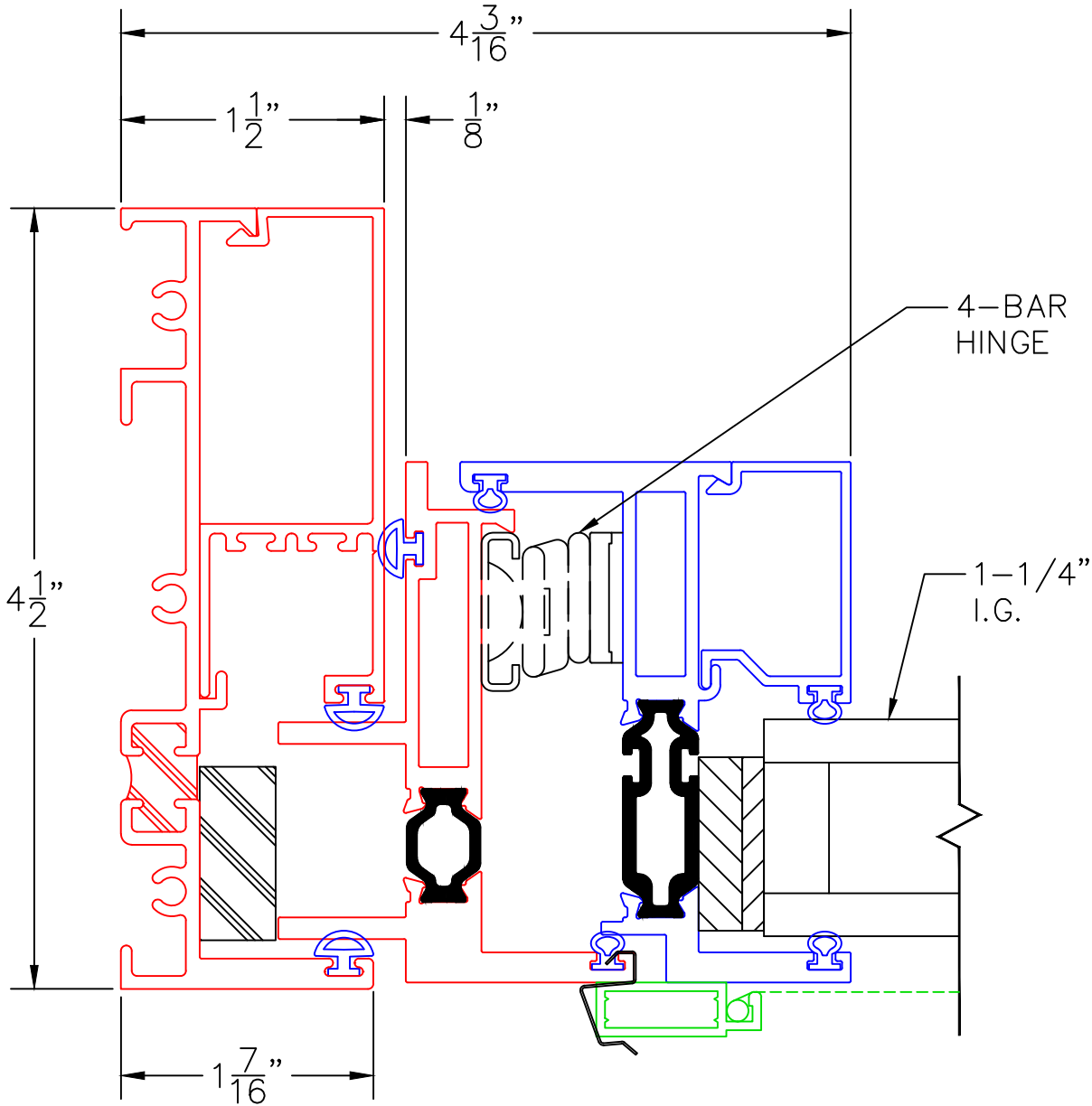


0 0.5 1
(USE RULER TO SCALE DIMENSIONS IN INCHES)
SCALE: 1:1

**FIXED WINDOW DETAILS
WITH 450-T INSERT**

3

**BLOCK JAMB WITH
HOPPER INSERT
WITH FLAT SCREEN**



EXTERIOR