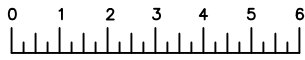
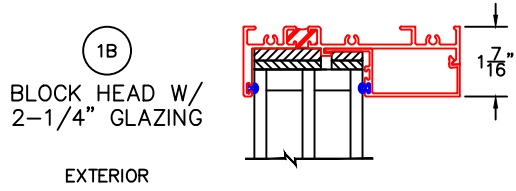
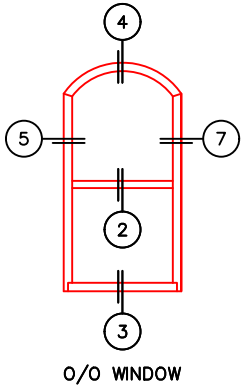
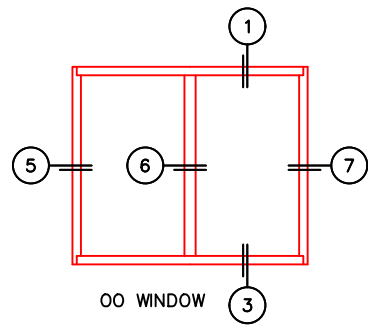
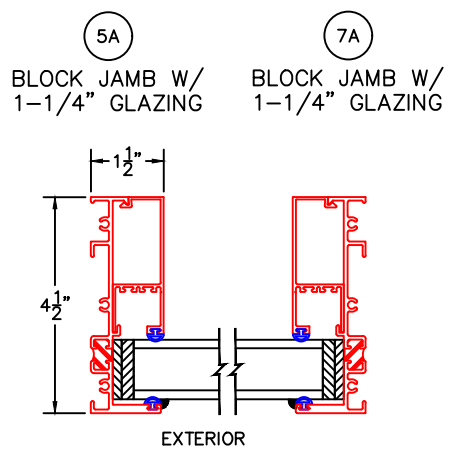
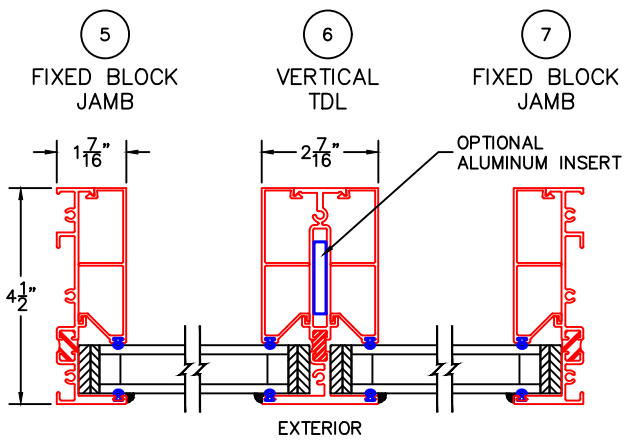
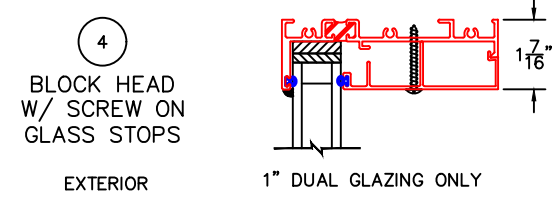
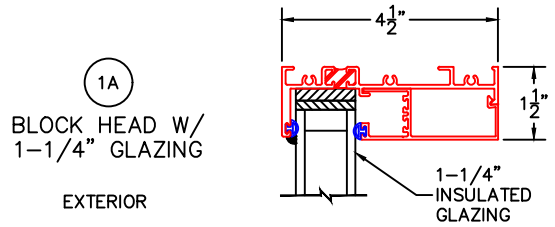
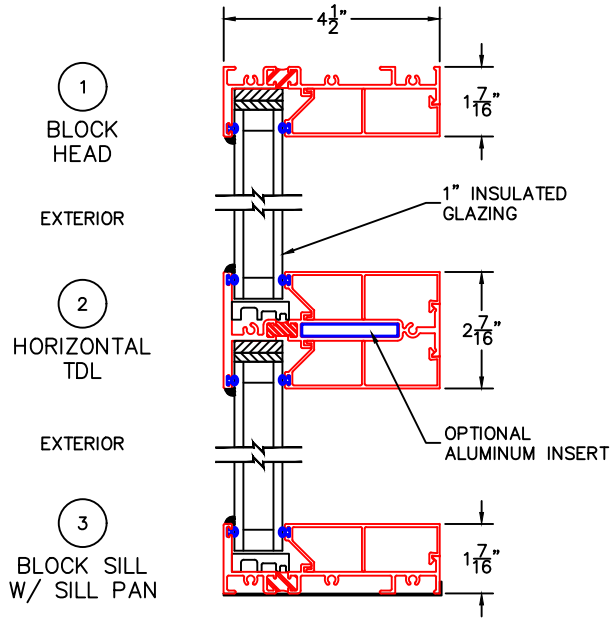


[Product Specifications](#)
[Click Here](#)



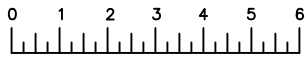
(USE RULER TO SCALE DIMENSIONS IN INCHES)
SCALE: 1/4"

INSIDE GLAZED
FIXED WINDOW DETAILS
1/4", 9/16", 1", 1-1/4", 1-1/2"
AND 2-1/4" GLAZING AVAILABLE



INSTALLER NOTE:
CONTINUOUS BEAD OF SEALANT
REQUIRED ON GLASS PERIMETER.

-GLASS PENETRATION: 9/16"
-EXTERIOR RATED PRODUCTS HAVE WEEP SLOTS
ON HORIZONTAL SILLS.

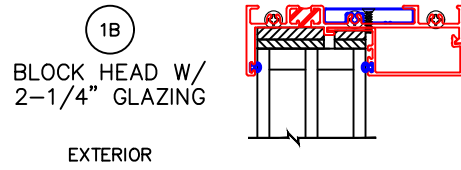
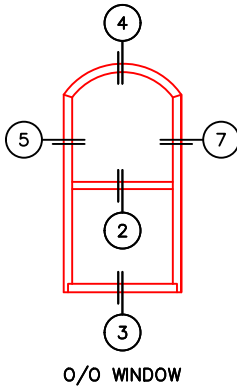
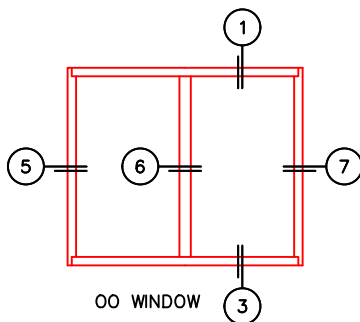
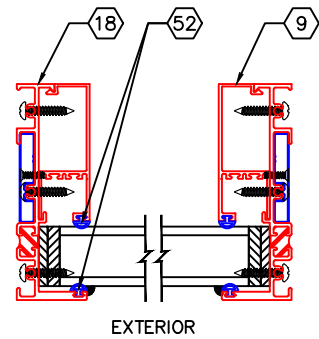
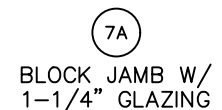
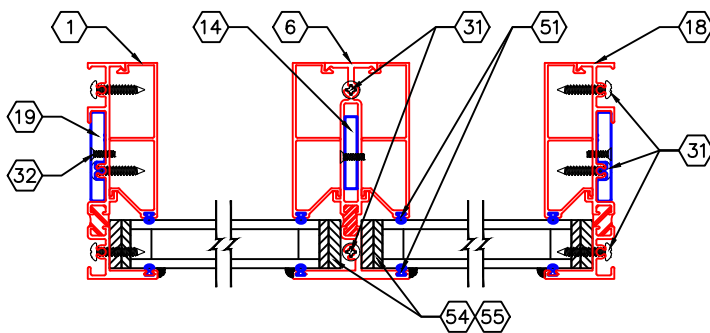
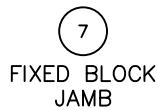
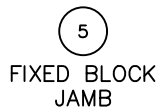
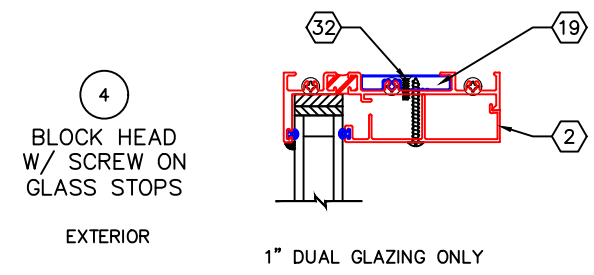
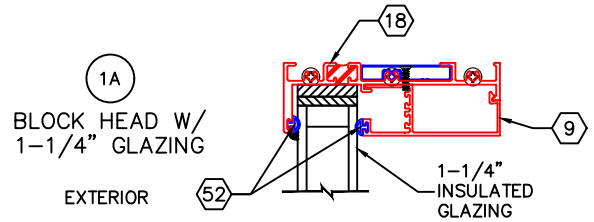
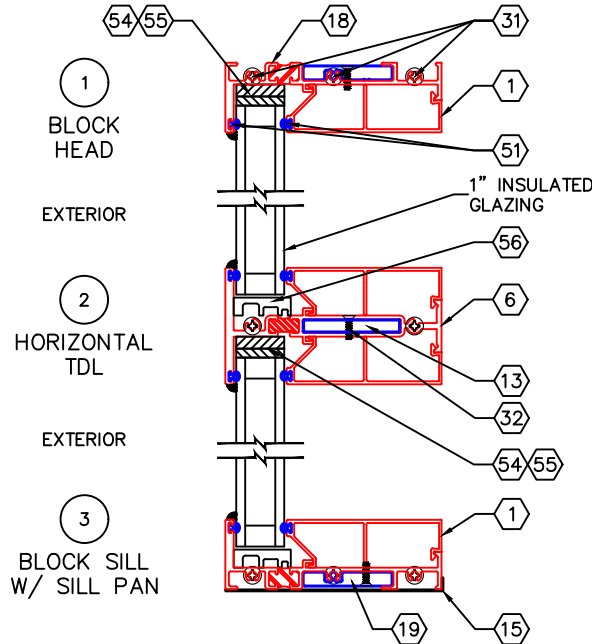


(USE RULER TO SCALE DIMENSIONS IN INCHES)
SCALE: 1/4"

INSIDE GLAZED
FIXED WINDOW DETAILS

1/4", 9/16", 1", 1-1/4", 1-1/2"
AND 2-1/4" GLAZING AVAILABLE

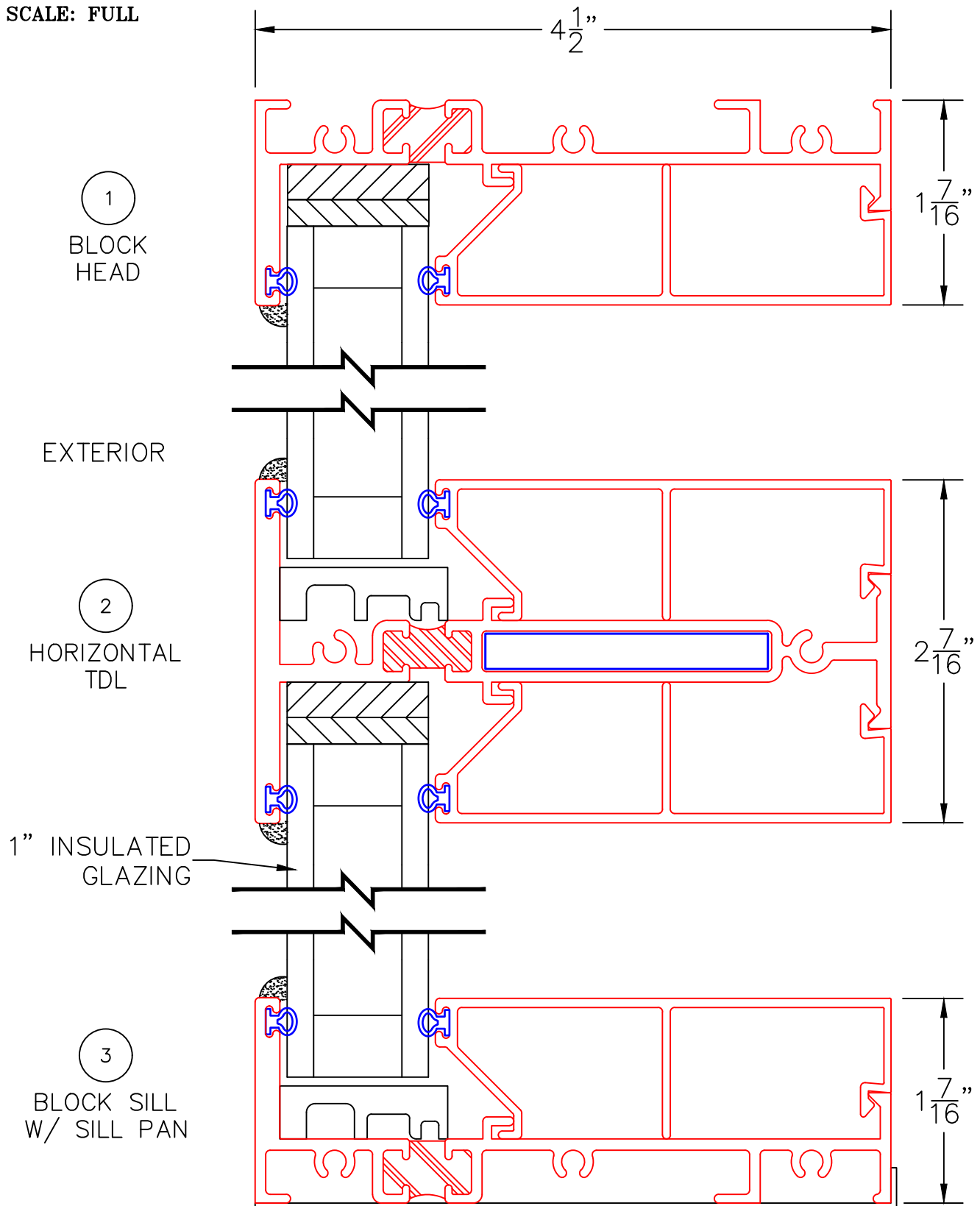
[Architecturals Click Here](#) [Parts List Click Here](#)



0 0.5 1
 (USE RULER TO SCALE DIMENSIONS IN INCHES)

SCALE: FULL

INSIDE GLAZED FIXED WINDOW DETAILS 1" INSULATED GLAZING SHOWN

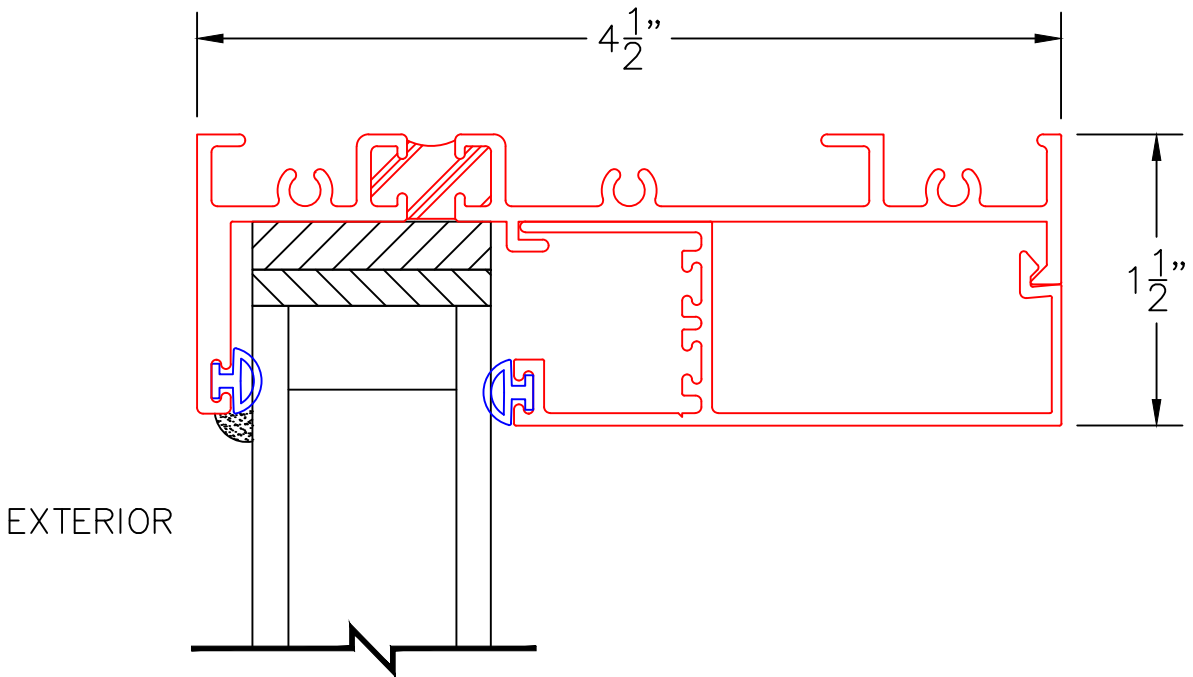


0 0.5 1
(USE RULER TO SCALE DIMENSIONS IN INCHES)
SCALE: FULL

INSIDE GLAZED FIXED WINDOW DETAILS
1-1/4" INSULATED GLAZING SHOWN

1A

BLOCK HEAD
W/ 1-1/4" GLAZING

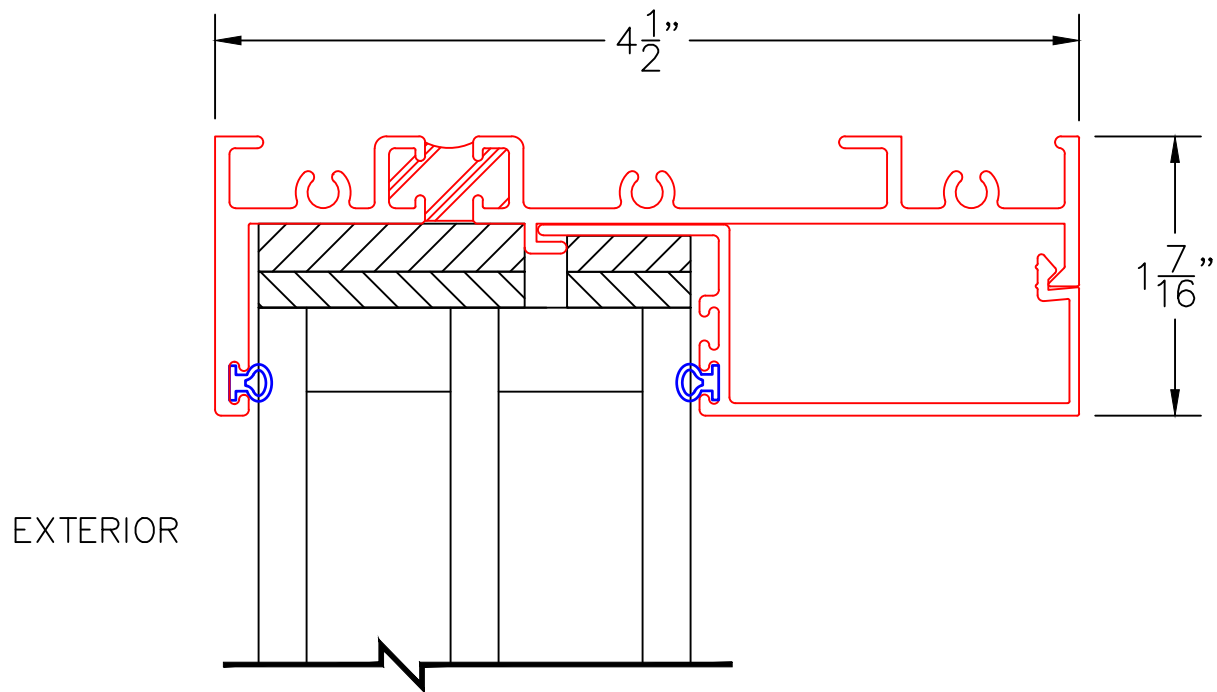


0 0.5 1
(USE RULER TO SCALE DIMENSIONS IN INCHES)
SCALE: FULL

INSIDE GLAZED FIXED WINDOW DETAILS
2-1/4" INSULATED GLAZING SHOWN

1B

BLOCK HEAD
W/ 2-1/4" GLAZING

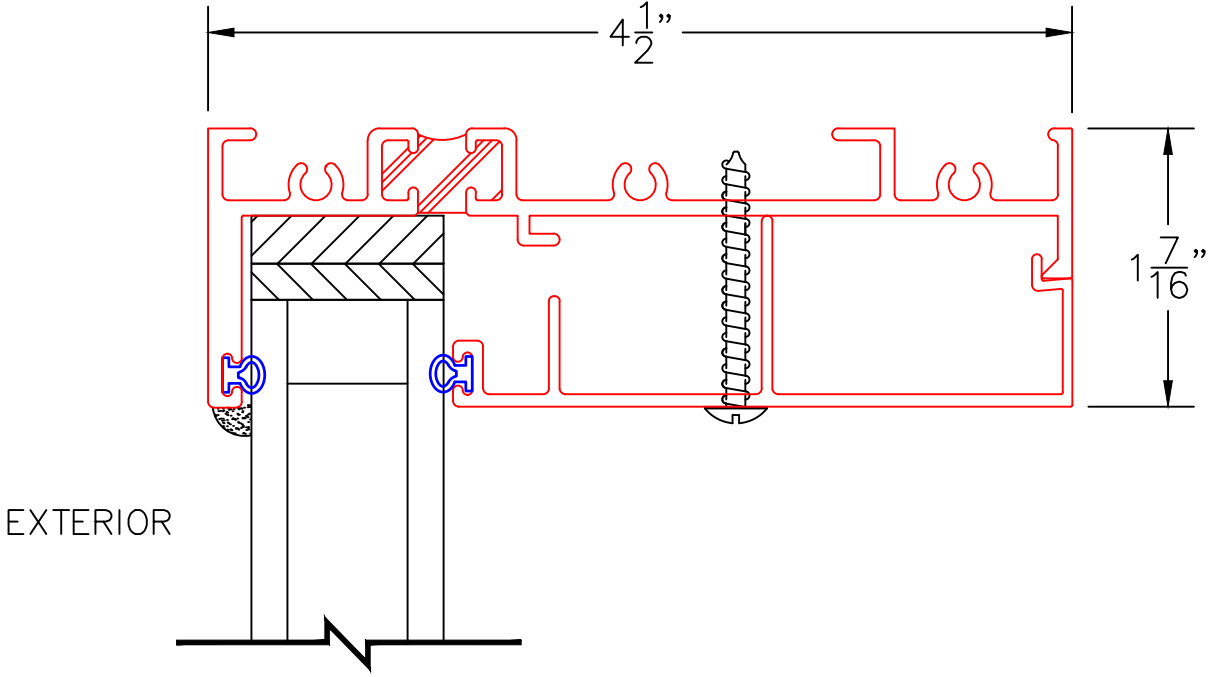


0 0.5 1
(USE RULER TO SCALE DIMENSIONS IN INCHES)
SCALE: FULL

INSIDE GLAZED FIXED WINDOW DETAILS
1" INSULATED GLAZING

4

BLOCK HEAD
W/ SCREW ON
GLASS STOPS



1" DUAL GLAZING ONLY

INSIDE GLAZED FIXED WINDOW DETAILS 1" INSULATED GLAZING SHOWN

0 0.5 1
(USE RULER TO SCALE DIMENSIONS IN INCHES)
SCALE: FULL

5

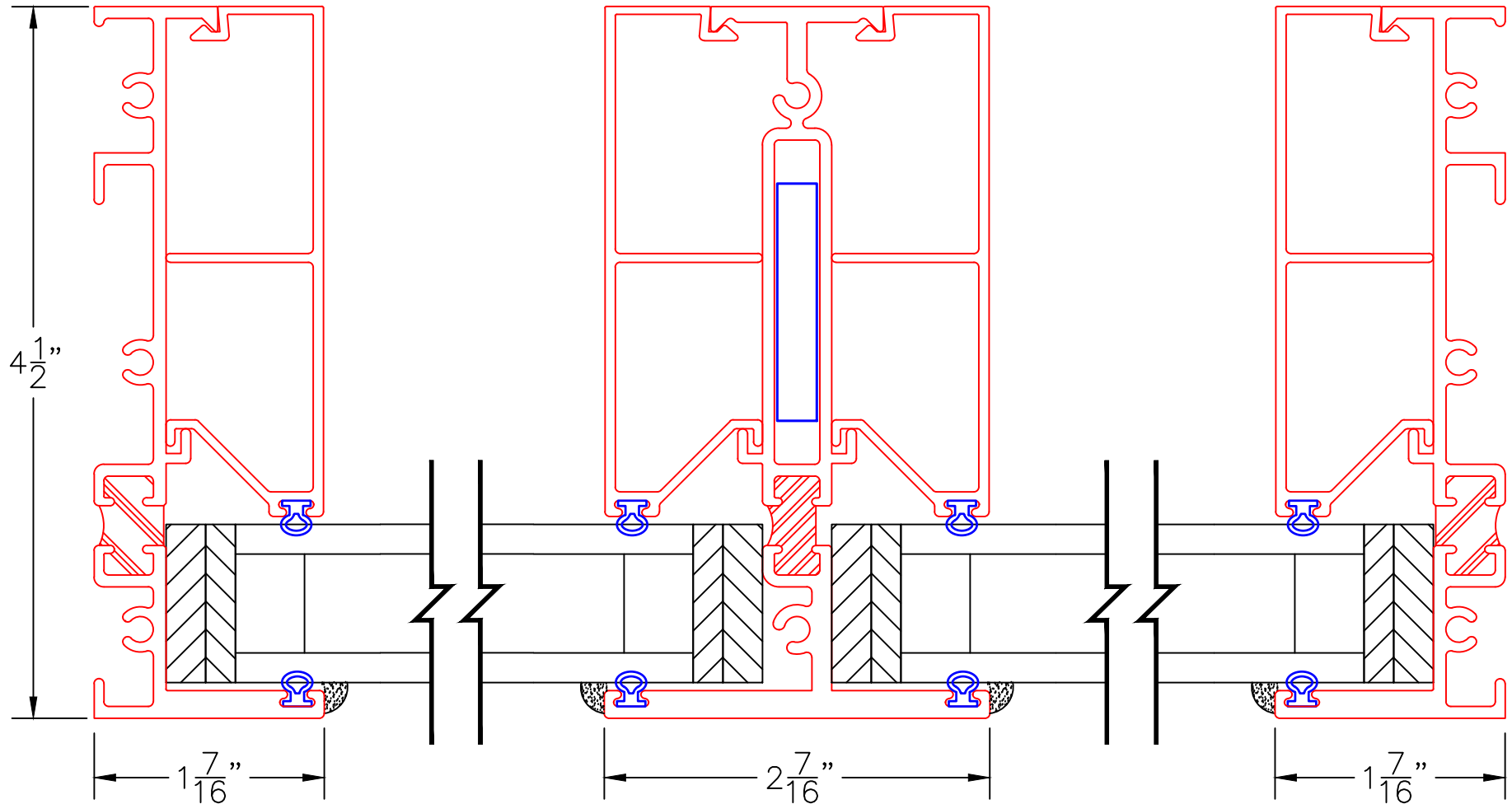
FIXED
BLOCK JAMB

6

VERTICAL
TDL

7

FIXED
BLOCK JAMB



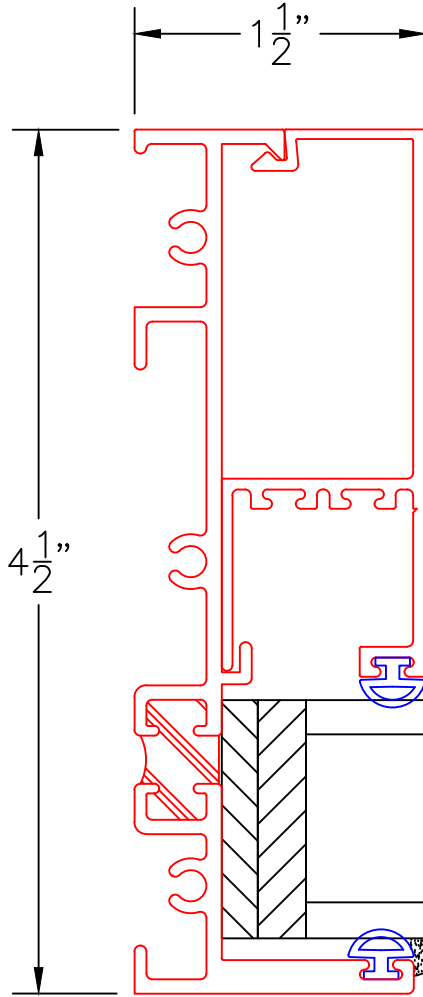
EXTERIOR

INSIDE GLAZED FIXED WINDOW DETAILS
1-1/4" INSULATED GLAZING SHOWN

0 0.5 1
(USE RULER TO SCALE DIMENSIONS IN INCHES)
SCALE: FULL

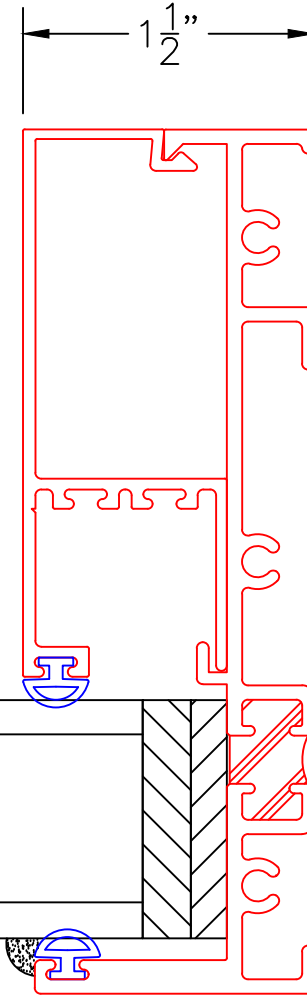
5A

BLOCK JAMB
W/ 1-1/4" GLAZING



7A



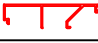






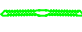




















BLOCK JAMB
W/ 1-1/4" GLAZING



EXTERIOR

[Architecturals
Click Here](#)
[Product Specs
Click Here](#)

BILL OF MATERIALS

| ITEM # | PART# | DESCRIPTION | IMAGE |
|---------------------|---------------|-----------------------------------------------------------|---------------------------------------------------------------------------------------|
| ALUMINUM EXTRUSIONS | | | |
| 1 | 3801 | 1" GLAZING BEAD |  |
| 2 | 3802 | 1" BENDABLE GLAZING BEAD |  |
| 3 | 3803 | 1/4" GLAZING BEAD |  |
| 4 | 3804 | 9/16" GLAZING BEAD |  |
| 5 | 3805 | 4.5 FRAME |  |
| 6 | 3806 | TDL |  |
| 7 | 3807 | 1-1/2" SERIES GLASS STOP |  |
| 8 | 3810 | 2-1/4" SERIES GLASS STOP |  |
| 9 | 3811 | 1 1/4" GLASS STOP |  |
| 10 | 3812 | INTERSECTING MULLION KEY (INTERSECTING TDL) |  |
| 11 | 3814 | APPLIED GRID INTERIOR |  |
| 12 | 3815 | SHEAR BLOCK (FOR HP ONLY) |  |
| 13 | FW1194 | 2.0" x 0.25" ALUMINUM BAR (INTERSECTING TDL HP ONLY) |  |
| 14 | FW1195 | 1.5" x 0.25" ALUMINUM BAR (INTERSECTING TDL HP ONLY) |  |
| 15 | | SILL PAN, BLOCK FRAME |  |
| 16 | | SILL PAN, NAIL ON |  |
| 17 | 3082 | THERMAL MULLION |  |
| 18 | 3809 | 4.5 BLOCK FRAME |  |
| 19 | 3816 | 1 1/4" TIERED GLASS STOP |  |
| 20 | 3817 | 90° CORNER BUTT GLAZED EXTERIOR CAP/COVER FOR 1.25" GLASS |  |
| 21 | 3818 | 90° CORNER BUTT GLAZED INTERIOR CAP/COVER FOR 1.25" GLASS |  |
| HARDWARE | | | |
| 31 | VARY BY COLOR | SCREW NO 10, PPH, 1.00" |  |
| 32 | VARY BY COLOR | SCREW NO 6, PFHU, .50" |  |
| 33 | VARY BY COLOR | SCREW NO 8, PFH, 1 1/2" |  |
| SEAL & SEALANT | | | |
| 51 | 25199 | BULB VINYL - MINI (ASTM C864) |  |
| 52 | 25031 | BULB VINYL - LARGE (ASTM C864) |  |
| 53 | 19120 | Q-LON WEATHERSTRIP (U 5212) |  |
| 54 | 18622 | SETTING BLOCK 3/8 X 1 X 4 |  |
| 55 | 18621 | SETTING BLOCK 1/8 X 1 X 4 |  |
| 56 | 23217 | RIGID PVC SETTING BLOCK |  |