

ASSEMBLY / PARTS LIST (B.O.M.)

Series: 3600-T
Type: 3L and 3R Configuration

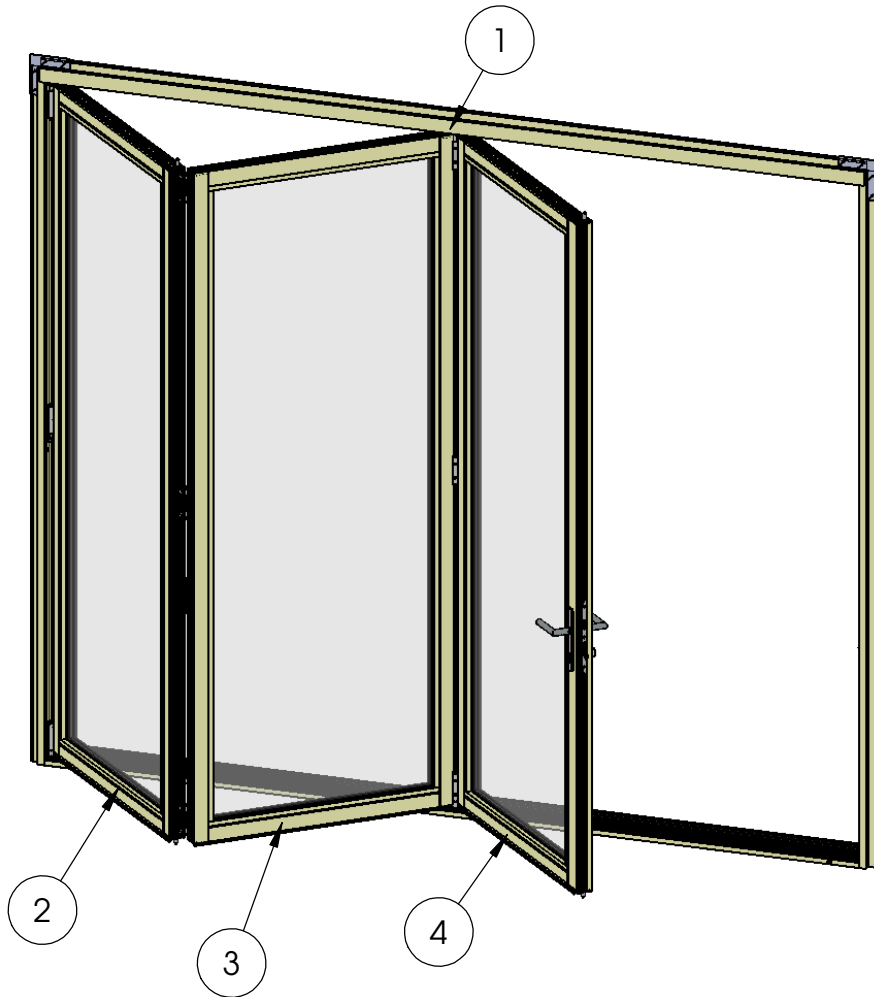


TABLE OF CONTENTS

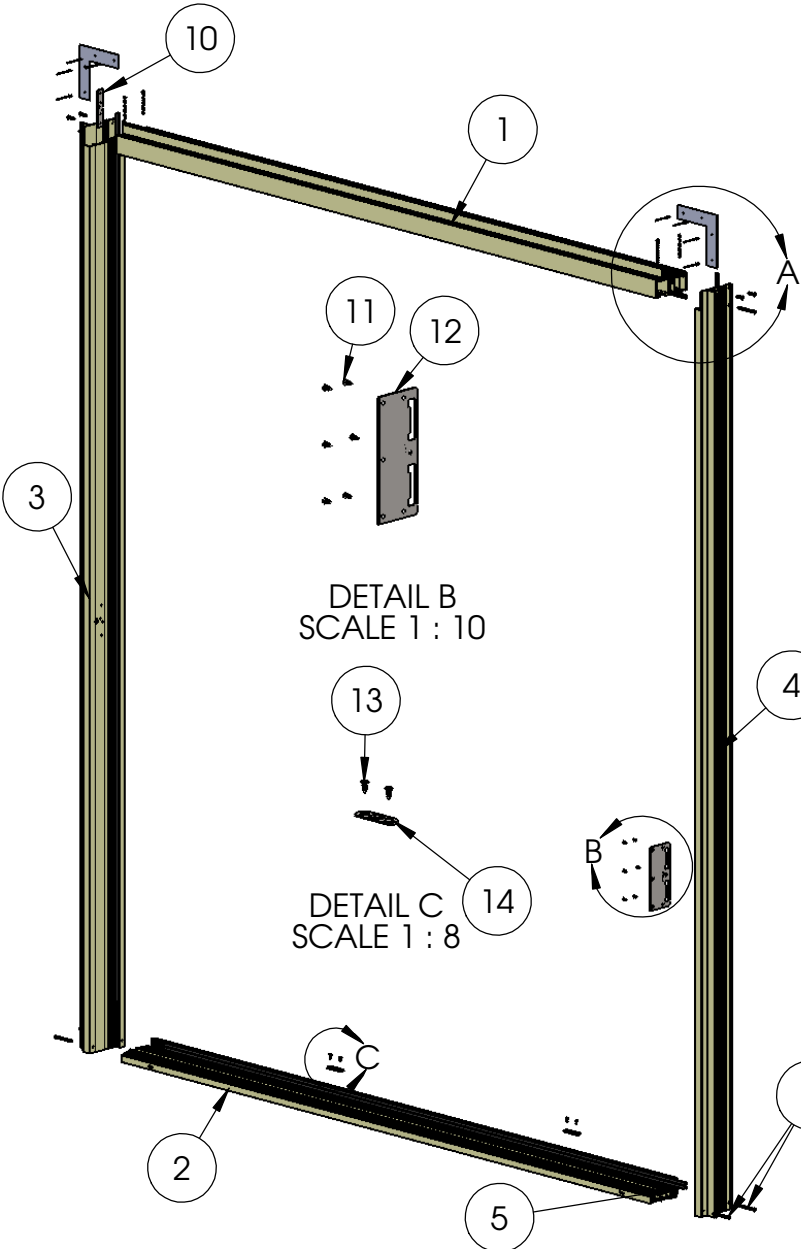
ITEM NO.	DESCRIPTION	QTY.	PAGE #
1	Frame Assembly	1	2
2	Panel 1 Assembly	1	3-4
3	Panel 2 Assembly	1	5-6
4	Panel 3 Assembly	1	7-8

NOTES:

1. 3L Configuration shown
2. Out-Swing Door shown
3. Relative to the exterior numbering of panels is from left to right

Description Table of Contents	
File Name Series 3600-T 3L and 3R Assembly	REV -
Released 7/11/2017	SHEET 1 OF 8

ASSEMBLY / PARTS LIST (B.O.M.)

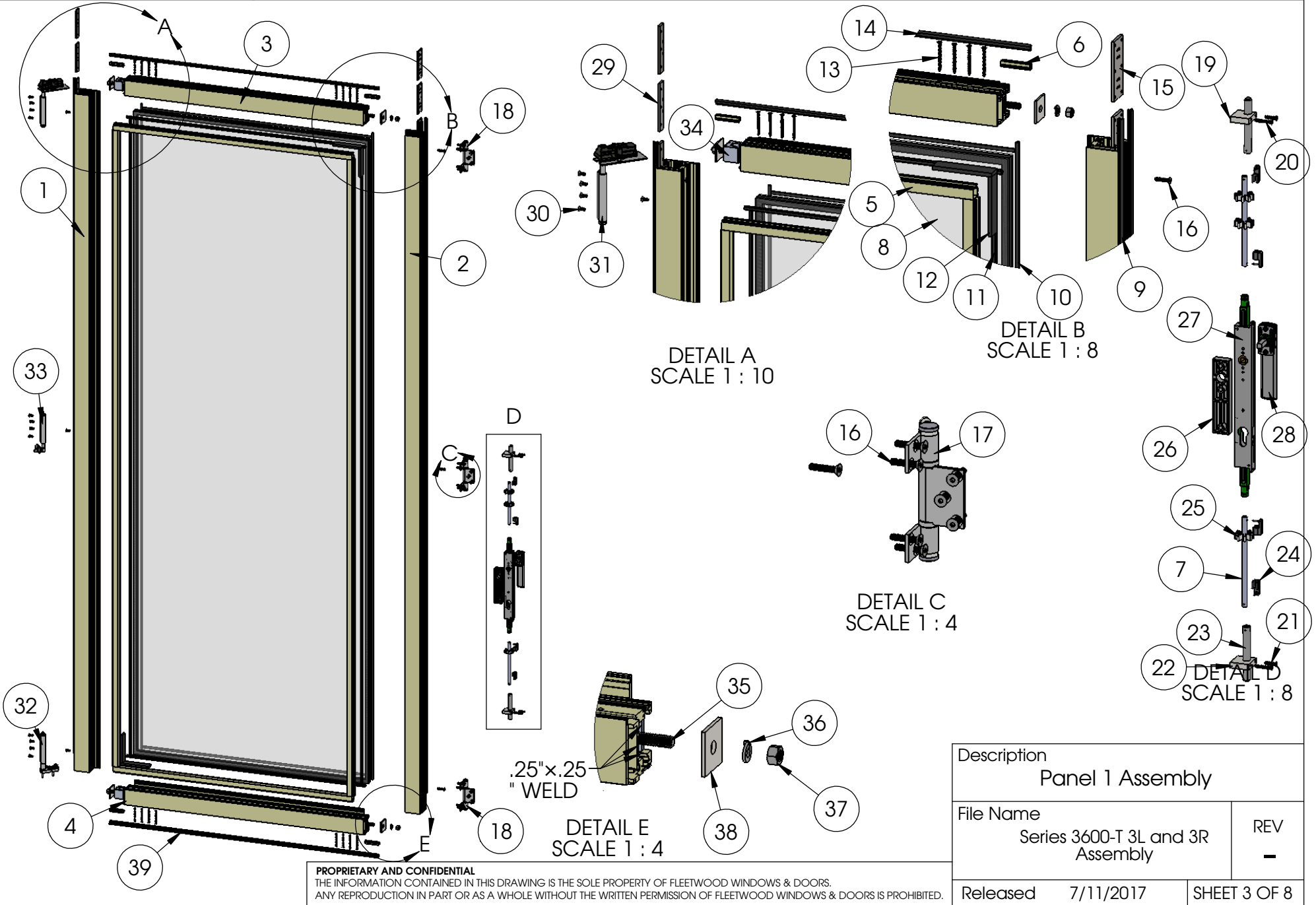


EXTRUSIONS			
ITEM NO.	PART NUMBER	DESCRIPTION	QTY.
1	3601	Head	1
2	3602	Sill	1
3	3603	Left Jamb	1
4	3603	Right Jamb	1
HARDWARE			
ITEM NO.	PART NUMBER	DESCRIPTION	QTY.
5	25059	Q-Lon Foam Seal	5
6	25075	# 10 PHP Screw, 2.5 In	10
7	20350	# 10 PHP Screw, 1 in.	4
8	18629	Nail-Fin Corner (For Nail-Fin Door)	2
9	25504	Pop Rivet	8
10	25585	Jamb Hinge Back Up Plate	1
11	20240	#8 FHP - A - UC, 1/2", SS, Clear	6
12	24993	Latch-Deadbolt Strike Plate	1
13	20275	# 10 FHP-A-UC Screw, .5 in., Clear	4
14	25663	Shoot Bolt Strike Plate (part of a kit)	2

Description Frame Assembly/B.O.M.	
File Name Series 3600-T 3L and 3R Assembly	REV -
Released 7/11/2017	SHEET 2 OF 8

PROPRIETARY AND CONFIDENTIAL
THE INFORMATION CONTAINED IN THIS DRAWING IS THE SOLE PROPERTY OF FLEETWOOD WINDOWS & DOORS.
ANY REPRODUCTION IN PART OR AS A WHOLE WITHOUT THE WRITTEN PERMISSION OF FLEETWOOD WINDOWS & DOORS IS PROHIBITED.

ASSEMBLY / PARTS LIST (B.O.M.)



PROPRIETARY AND CONFIDENTIAL
THE INFORMATION CONTAINED IN THIS DRAWING IS THE SOLE PROPERTY OF FLEETWOOD WINDOWS & DOORS.
ANY REPRODUCTION IN PART OR AS A WHOLE WITHOUT THE WRITTEN PERMISSION OF FLEETWOOD WINDOWS & DOORS IS PROHIBITED.

Description Panel 1 Assembly	
File Name Series 3600-T 3L and 3R Assembly	REV -
Released	7/11/2017
SHEET 3 OF 8	

ASSEMBLY / PARTS LIST (B.O.M.)

Extrusions

ITEM NO.	PART NUMBER	DESCRIPTION	QTY.
1	3604	Left Stile	1
2	3604	Right Stile	1
3	3604	Top Rail	1
4	3604	Bottom Rail	1
5	3907	1" Glass Stop (Shown)	4
6	3916	Seal Clip	4
7	FW1203	Aluminum Rod	2

Hardware

ITEM NO.	PART NUMBER	DESCRIPTION	QTY.
8	IG Glass	Glass	1
9	25059	Q-Lon Foam Seal	3
10	25199	Mini Bulb Vinyl	4
11	25031	Bulb Vinyl-Large	4
12	18620	Setting Block 4" x 1/4"x1"	4
13	20258	# 8 FHP Screw, 2"	16
14	25058	Q-Lon Foam Seal (at Head)	1
15	25586	Hinge Back Up Plate	3
16	25488, 25489	# 10-32 FH Torx Screw, 1", Clear, Black, Driver Size T25	24
17	25652,25653	Hinge Handle Offset Middle	1
18	25652,25653	Hinge Handle Offset Top and Bottom	2
19	25587	Top Shoot Bolt Guide	1
20	25343	# 8-32 FHP Screw, 1.125"	2
21	25760	# 8-32 FHP SCrew, .75"	2
22	25588	Bottom Shoot Bolt Guide	1
23	25663	Shoot Bolt Ends (part of a kit)	2
24	25663	Locking Pins (part of a kit)	4
25	25566	Shoot Bolt Rod Guide	3

Hardware

ITEM NO.	PART NUMBER	DESCRIPTION	QTY.
26	25665	Plastic Lock Spacer (In-swing only)	1
27	25662	DPL Lock Body	1
28	25656,25657	DPL Non-Locking Handle	1
29	25582	Hinge Back Up Plate	3
30	25486, 25487	# 10-32 FH Torx Screw, 0.5", Clear, Black, Driver Size T25	15
31	25638,25639	Pivot Top (part of a set)	1
32	25638,25639	Pivot Bottom (part of a set)	1
33	25640,25641	Jamb Pivot	1
34	3906	Corner Block	4
35	25668	.375-16 Hex Head Cap Screw, 1.625"	4
36	25024	.375 Split Lock Washer	4
37	25023	.375-16 Stainless Steel Hex Nut	4
38	25573	Back up Plate Corner Block	4
39	25683	Foam Seal	1

Description

Panel 1 B.O.M.

File Name

Series 3600-T 3L and 3R
Assembly

REV

Released

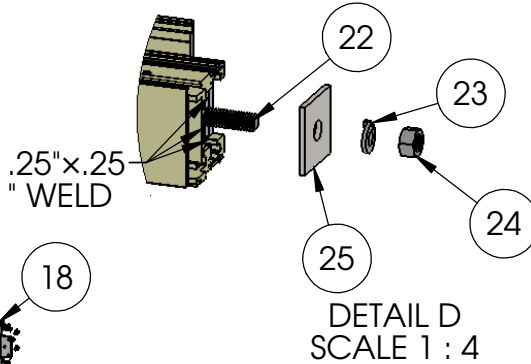
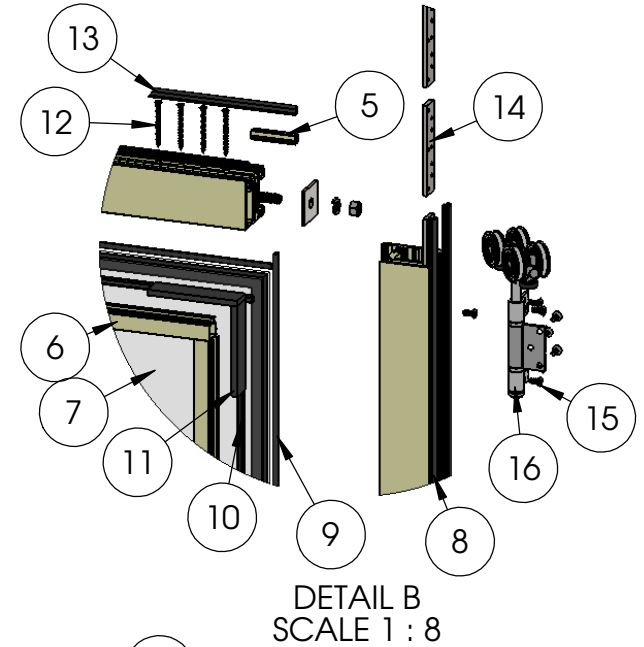
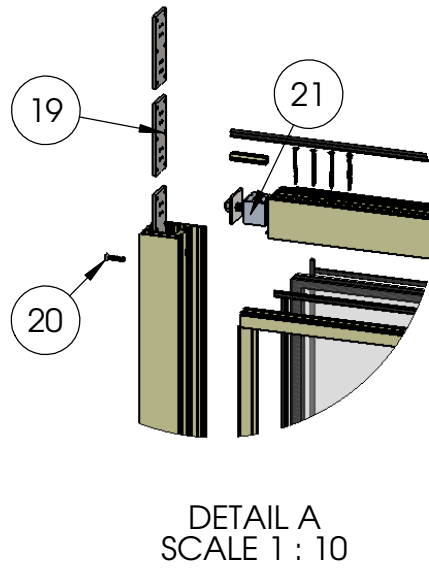
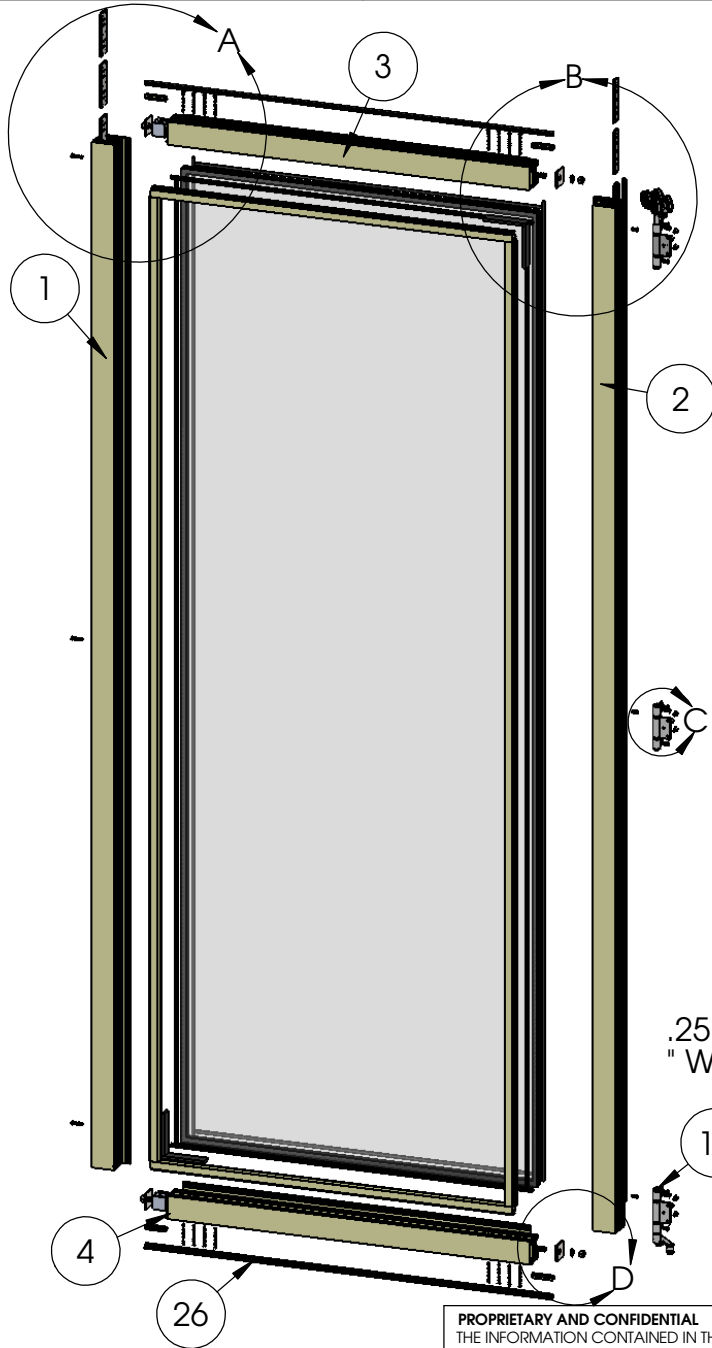
7/11/2017

SHEET 4 OF 8

PROPRIETARY AND CONFIDENTIAL

THE INFORMATION CONTAINED IN THIS DRAWING IS THE SOLE PROPERTY OF FLEETWOOD WINDOWS & DOORS.
ANY REPRODUCTION IN PART OR AS A WHOLE WITHOUT THE WRITTEN PERMISSION OF FLEETWOOD WINDOWS & DOORS IS PROHIBITED.

ASSEMBLY / PARTS LIST (B.O.M.)



.25" x .25"
" WELD

PROPRIETARY AND CONFIDENTIAL
THE INFORMATION CONTAINED IN THIS DRAWING IS THE SOLE PROPERTY OF FLEETWOOD WINDOWS & DOORS.
ANY REPRODUCTION IN PART OR AS A WHOLE WITHOUT THE WRITTEN PERMISSION OF FLEETWOOD WINDOWS & DOORS IS PROHIBITED.

Description	
Panel 2 Assembly	
File Name	REV
Series 3600-T 3L and 3R Assembly	-
Released	SHEET 5 OF 8
7/11/2017	

ASSEMBLY / PARTS LIST (B.O.M.)

Extrusions

ITEM NO.	PART NUMBER	DESCRIPTION	QTY.
1	3604	Left Stile	1
2	3604	Right Stile	1
3	3604	Top Rail	1
4	3604	Bottom Rail	1
5	3916	Seal Clip	4
6	3907	1" Glass Stop (Shown)	4

Hardware

ITEM NO.	PART NUMBER	DESCRIPTION	QTY.
7	IG Glass	Glass	1
8	25059	Q-Lon Foam Seal	2
9	25199	Mini Bulb Vinyl	4
10	25031	Bulb Vinyl-Large	4
11	18620	Setting Block	4
12	20258	# 8 FHP Screw, 2"	16
13	25058	Q-Lon Foam Seal (at Head)	1
14	25584	Hinge Back Up Plate Intermediate Carrier	3
15	25486, 25487	# 10-32 FH Torx Screw, 0.5", Clear, Black, Driver Size T25	24
16	25644	Intermediate Hanger (part of a set)	1
17	25646,25647	Intermediate Hanger Middle (part of a set)	1
18	25644	Intermediate Guide (part of a set)	1

Hardware

ITEM NO.	PART NUMBER	DESCRIPTION	QTY.
19	25586	Hinge Back Up Plate	3
20	25488, 25489	# 10-32 FH Torx Screw, 1", Clear, Black, Driver Size T25	3
21	3906	Corner Block	4
22	25668	.375-16 Hex Head Cap Screw, 1.625"	4
23	25024	.375 Split Lock Washer	4
24	25023	.375-16 Stainless Steel Hex Nut	4
25	25573	Back up Plate Corner Block	4
26	25683	Foam Seal	1

Description

Panel 2 B.O.M.

File Name

Series 3600-T 3L and 3R
Assembly

REV

Released

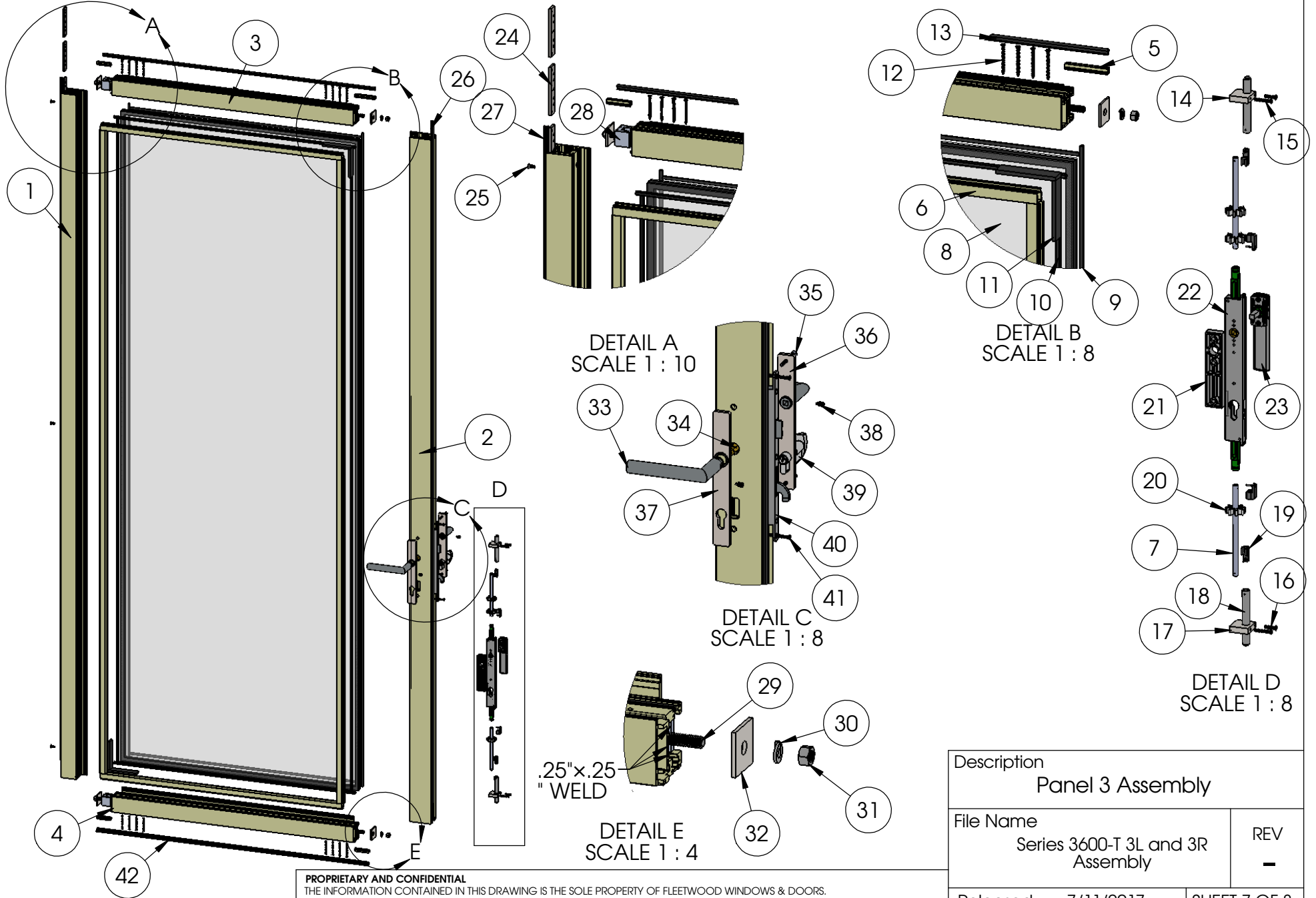
7/11/2017

SHEET 6 OF 8

PROPRIETARY AND CONFIDENTIAL

THE INFORMATION CONTAINED IN THIS DRAWING IS THE SOLE PROPERTY OF FLEETWOOD WINDOWS & DOORS.
ANY REPRODUCTION IN PART OR AS A WHOLE WITHOUT THE WRITTEN PERMISSION OF FLEETWOOD WINDOWS & DOORS IS PROHIBITED.

ASSEMBLY / PARTS LIST (B.O.M.)



PROPRIETARY AND CONFIDENTIAL
THE INFORMATION CONTAINED IN THIS DRAWING IS THE SOLE PROPERTY OF FLEETWOOD WINDOWS & DOORS.
ANY REPRODUCTION IN PART OR AS A WHOLE WITHOUT THE WRITTEN PERMISSION OF FLEETWOOD WINDOWS & DOORS IS PROHIBITED.

Description Panel 3 Assembly	
File Name Series 3600-T 3L and 3R Assembly	REV -
Released 7/11/2017	SHEET 7 OF 8

ASSEMBLY / PARTS LIST (B.O.M.)

Extrusions

ITEM NO.	PART NUMBER	DESCRIPTION	QTY.
1	3604	Left Stile	1
2	3204	Right Stile	1
3	3604	Top Rail	1
4	3604	Bottom Rail	1
5	3916	Seal Clip	4
6	3907	1" Glass Stop (Shown)	4
7	FW1203	Aluminum Rod	2

Hardware

ITEM NO.	PART NUMBER	DESCRIPTION	QTY.
8	IG Glass	Glass	1
9	25199	Mini Bulb Vinyl	4
10	25031	Bulb Vinyl-Large	4
11	18620	Setting Block	4
12	20258	# 8 FHP Screw, 2"	16
13	25058	Q-Lon Foam Seal (at Head)	1
14	25587	Top Shoot Bolt Guide	1
15	25343	# 8-32 FHP Screw, 1.125"	2
16	25760	# 8-32 FHP SCrew, .75"	2
17	25588	Bottom Shoot Bolt Guide	1
18	25663	Shoot Bolt Ends (part of a kit)	2
19	25663	Locking Pins (part of a kit)	4
20	25566	Shoot Bolt Rod Guide	3
21	25665	Plastic Lock Spacer (In-swing only)	1
22	25662	DPL Lock Body	1
23	25656,25657	DPL Non-Locking Handle	1
24	25584	Hinge Back Up Plate Intermediate Carrier	3
25	25486, 25487	# 10-32 FH Torx Screw, 0.5", Clear, Black, Driver Size T25	3
26	25058	Q-Lon Foam Seal	1
27	25059	Q-Lon Foam Seal	1

Hardware

ITEM NO.	PART NUMBER	DESCRIPTION	QTY.
28	3906	Corner Block	4
29	25668	.375-16 Hex Head Cap Screw, 1.625"	4
30	25024	.375 Split Lock Washer	4
31	25023	.375-16 Stainless Steel Hex Nut	4
32	25573	Back up Plate Corner Block	4
33	23654	FSB_1076 Lever (Default)	2
34	23203	Spindle	1
35	25342	# 10-32 FHP Screw, 2.25"	2
36	25207	Escutcheon-Active, Interior-2	1
37	25207	Escutcheon-Active, Exterior-1	1
38	(Shipped with Handle)	Socket Set Screw .250-20, .375"	2
39	23204	FSB Cylinder for Active	1
40	25758	Yale Latch	1
41	20252	# 8 FHP Screw, 1.5"	2
42	25683	Foam Seal	1

Description

Panel 3 B.O.M.

File Name

Series 3600-T 3L and 3R
Assembly

REV

Released

7/11/2017

SHEET 8 OF 8

PROPRIETARY AND CONFIDENTIAL

THE INFORMATION CONTAINED IN THIS DRAWING IS THE SOLE PROPERTY OF FLEETWOOD WINDOWS & DOORS.
ANY REPRODUCTION IN PART OR AS A WHOLE WITHOUT THE WRITTEN PERMISSION OF FLEETWOOD WINDOWS & DOORS IS PROHIBITED.