

ASSEMBLY / PARTS LIST (B.O.M.)

Series: 3600-T
Type: 2L2R Configuration

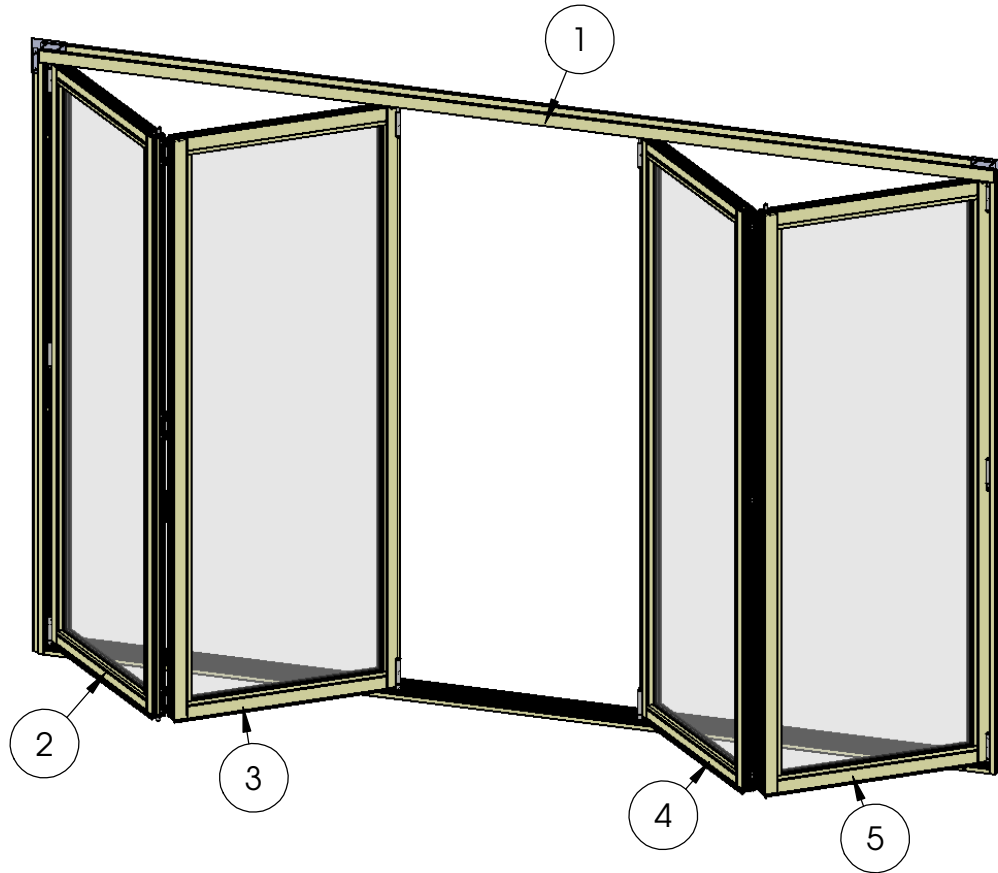


TABLE OF CONTENTS

ITEM NO.	PART NUMBER	QTY.	PAGE #
1	Frame Assembly	1	2
2	Panel 1 Assembly	1	3-4
3	Panel 2 Assembly	1	5-6
4	Panel 3 Assembly	1	See Note
5	Panel 4 Assembly	1	See Note

NOTES:

1. 2L2R Configuration shown
2. Out-Swing Door shown
3. Relative to the exterior numbering of panels is from left to right
4. Panels 3 and 4 are same components as Panels 1 and 2.

Description

Table of Contents

File Name

Series 3600-T 2L2R
Assembly

REV

-

Released

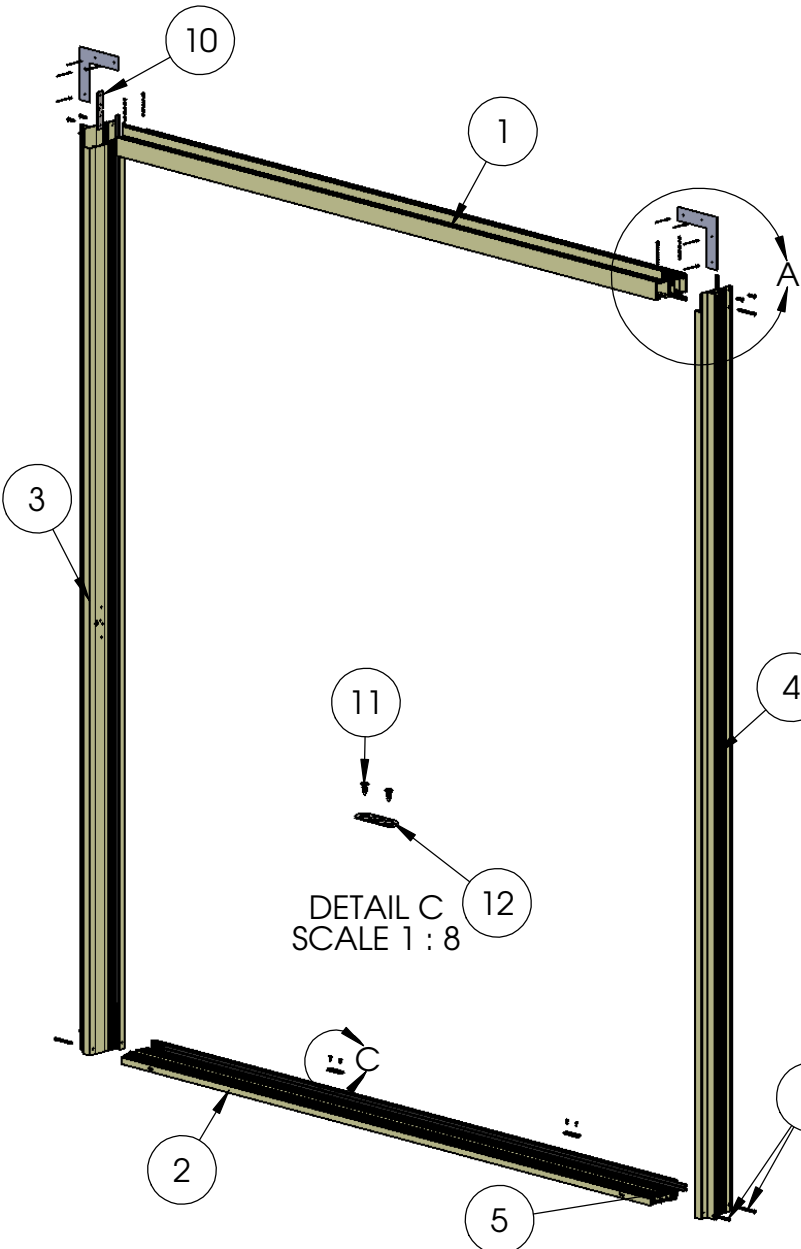
7/11/2017

SHEET 1 OF 6

PROPRIETARY AND CONFIDENTIAL

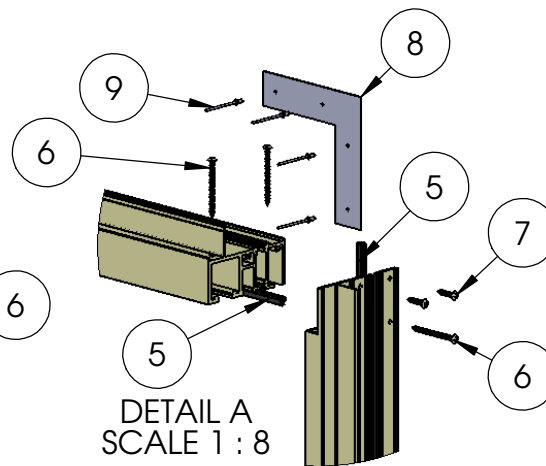
THE INFORMATION CONTAINED IN THIS DRAWING IS THE SOLE PROPERTY OF FLEETWOOD WINDOWS & DOORS.
ANY REPRODUCTION IN PART OR AS A WHOLE WITHOUT THE WRITTEN PERMISSION OF FLEETWOOD WINDOWS & DOORS IS PROHIBITED.

ASSEMBLY / PARTS LIST (B.O.M.)



EXTRUSIONS			
ITEM NO.	PART NUMBER	DESCRIPTION	QTY.
1	3601	Head	1
2	3602	Sill	1
3	3603	Left Jamb	1
4	3603	Right Jamb	1

HARDWARE			
ITEM NO.	PART NUMBER	DESCRIPTION	QTY.
5	25059	Q-Lon Foam Seal	5
6	25075	# 10 PHP Screw, 2.5 In	10
7	20350	# 10 PHP Screw, 1 in.	4
8	18629	Nail-Fin Corner (For Nail-Fin Door)	2
9	25504	Pop Rivet	8
10	25585	Jamb Hinge Back Up Plate	1
11	20275	# 10 FHP-A-UC Screw, .5 in., Clear	4
12	25663	Shoot Bolt Strike Plate (part of a kit)	4



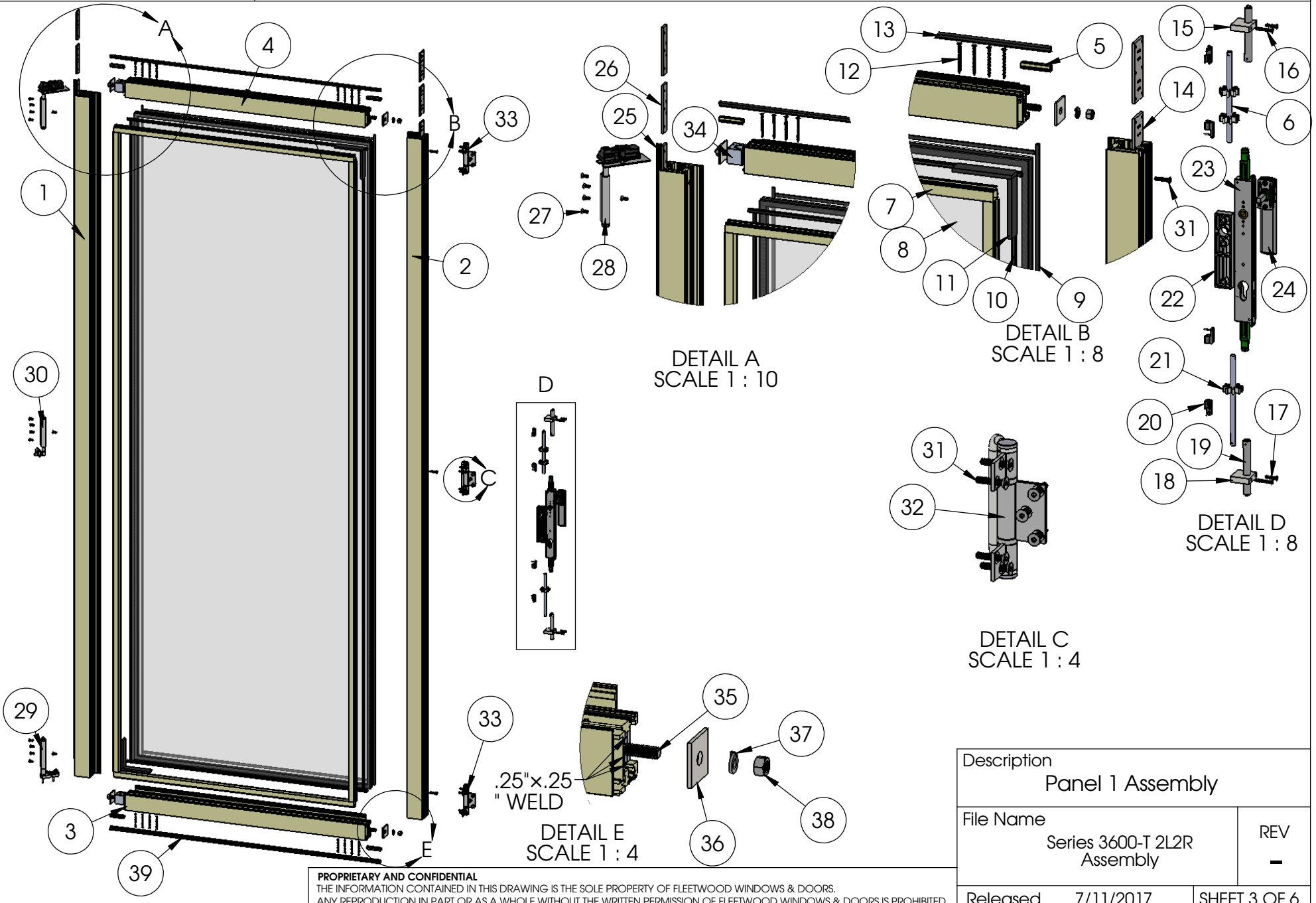
DETAIL C
SCALE 1 : 8

DETAIL A
SCALE 1 : 8

PROPRIETARY AND CONFIDENTIAL
THE INFORMATION CONTAINED IN THIS DRAWING IS THE SOLE PROPERTY OF FLEETWOOD WINDOWS & DOORS.
ANY REPRODUCTION IN PART OR AS A WHOLE WITHOUT THE WRITTEN PERMISSION OF FLEETWOOD WINDOWS & DOORS IS PROHIBITED.

Description Frame Assembly/B.O.M.	
File Name Series 3600-T 2L2R Assembly	REV -
Released 7/11/2017	SHEET 2 OF 6

ASSEMBLY / PARTS LIST (B.O.M.)



PROPRIETARY AND CONFIDENTIAL
THE INFORMATION CONTAINED IN THIS DRAWING IS THE SOLE PROPERTY OF FLEETWOOD WINDOWS & DOORS.
ANY REPRODUCTION IN PART OR AS A WHOLE WITHOUT THE WRITTEN PERMISSION OF FLEETWOOD WINDOWS & DOORS IS PROHIBITED.

Description	
Panel 1 Assembly	
File Name	REV
Series 3600-T 2L2R Assembly	-
Released	SHEET 3 OF 6
7/11/2017	

ASSEMBLY / PARTS LIST (B.O.M.)

Extrusions

ITEM NO.	PART NUMBER	DESCRIPTION	QTY.
1	3604	Left Stile	1
2	3604	Right Stile	1
3	3604	Top Rail	1
4	3604	Bottom Rail	1
5	3916	Seal Clip	4
6	FW1203	Aluminum Rod	2
7	3907	1" Glass Stop (Shown)	4

Hardware

ITEM NO.	PART NUMBER	DESCRIPTION	QTY.
8	IG Glass	Glass	1
9	25199	Mini Bulb Vinyl	4
10	25031	Bulb Vinyl-Large	2
11	18620	Setting Block	4
12	20258	#8 FHP Screw, 2"	16
13	25058	Q-Lon Foam Seal (at Head)	1
14	25586	Hinge Back Up Plate	3
15	25587	Top Shoot Bolt Guide	1
16	25343	#8-32 FHP Screw, 1.125"	2
17	25760	#8-32 FHP SCrew, .75"	2
18	25588	Bottom Shoot Bolt Guide	1
19	25663	Shoot Bolt Ends (part of a kit)	2
20	25663	Locking Pins (part of a kit)	4
21	25566	Shoot Bolt Rod Guide	3
22	25665	Plastic Lock Spacer (In-swing only)	1
23	25662	DPL Lock Body	1
24	25656,25657	DPL Non-Locking Handle	1
25	25059	Q-Lon Foam Seal	1

Hardware

ITEM NO.	PART NUMBER	DESCRIPTION	QTY.
26	25582	Hinge Back Up Plate	3
27	25486, 25487	# 10-32 FH Torx Screw, 0.5", Clear, Black, Driver Size T25	15
28	25638,25639	Pivot Top (part of a set)	1
29	25638,25639	Pivot Bottom (part of a set)	1
30	25640,25641	Jamb Pivot	1
31	25488, 25489	# 10-32 FH Torx Screw, 1", Clear, Black, Driver Size T25	24
32	25646,25647	Hinge Handle Middle (part of a set)	1
33	25646,25647	Hinge Handle Top and Bottom (part of a set)	2
34	3906	Corner Block	4
35	25668	.375-16 Hex Head Cap Screw, 1.625"	4
36	25573	Back up Plate Corner Block	4
37	25024	.375 Split Lock Washer	4
38	25023	.375-16 Stainless Steel Hex Nut	4
39	25683	Foam Seal	1

Description

Panel 1 B.O.M.

File Name

Series 3600-T 2L2R
Assembly

REV

-

Released

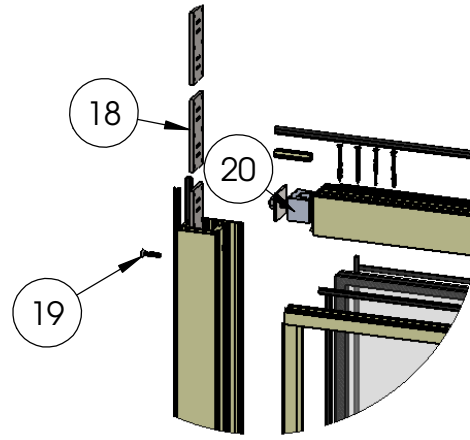
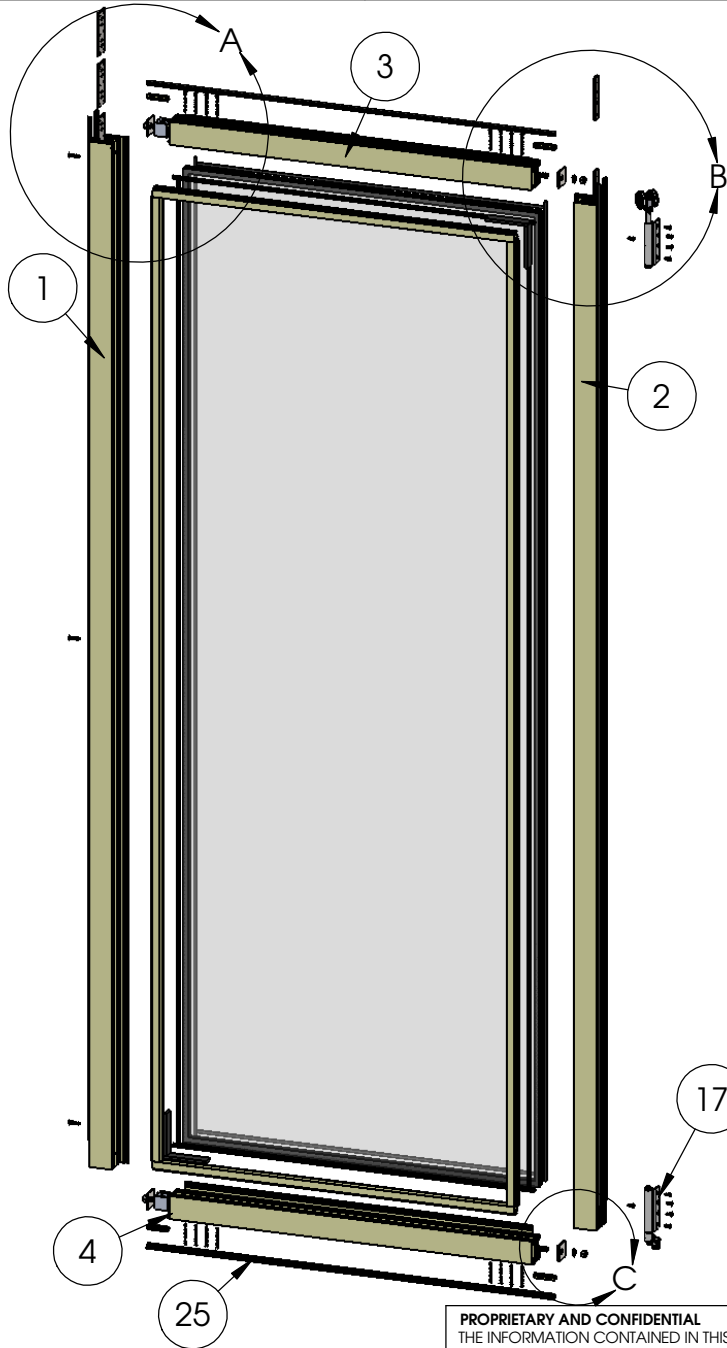
7/11/2017

SHEET 4 OF 6

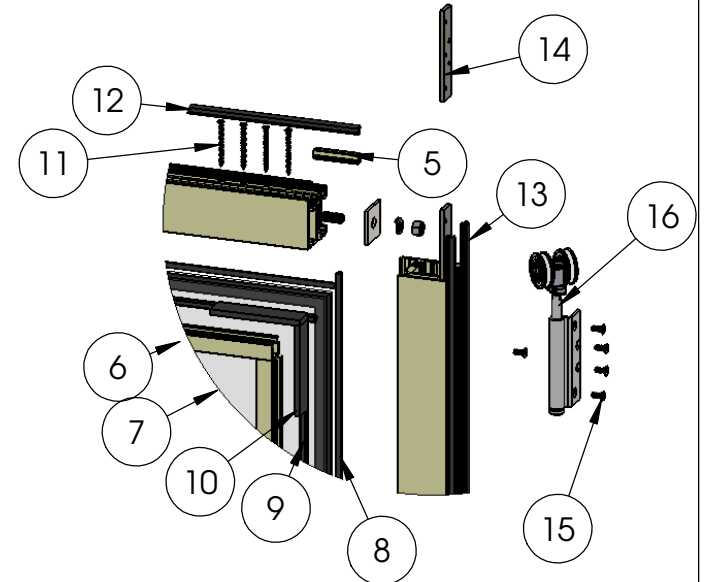
PROPRIETARY AND CONFIDENTIAL

THE INFORMATION CONTAINED IN THIS DRAWING IS THE SOLE PROPERTY OF FLEETWOOD WINDOWS & DOORS.
ANY REPRODUCTION IN PART OR AS A WHOLE WITHOUT THE WRITTEN PERMISSION OF FLEETWOOD WINDOWS & DOORS IS PROHIBITED.

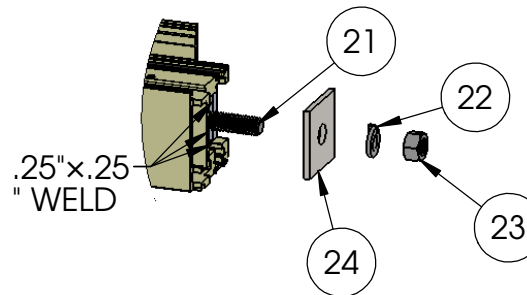
ASSEMBLY / PARTS LIST (B.O.M.)



DETAIL A
SCALE 1 : 10



DETAIL B
SCALE 1 : 8



DETAIL C
SCALE 1 : 4

PROPRIETARY AND CONFIDENTIAL
THE INFORMATION CONTAINED IN THIS DRAWING IS THE SOLE PROPERTY OF FLEETWOOD WINDOWS & DOORS.
ANY REPRODUCTION IN PART OR AS A WHOLE WITHOUT THE WRITTEN PERMISSION OF FLEETWOOD WINDOWS & DOORS IS PROHIBITED.

Description Panel 2 Assembly	
File Name Series 3600-T 2L2R Assembly	REV -
Released	7/11/2017
SHEET 5 OF 6	

ASSEMBLY / PARTS LIST (B.O.M.)

Extrusions

ITEM NO.	PART NUMBER	DESCRIPTION	QTY.
1	3604	Left Stile	1
2	3604	Right Stile	1
3	3604	Top Rail	1
4	3604	Bottom Rail	1
5	3916	Seal Clip	4
6	3907	1" Glass Stop (Shown)	4

Hardware

ITEM NO.	PART NUMBER	DESCRIPTION	QTY.
7	IG Glass	Glass	1
8	25199	Mini Bulb Vinyl	4
9	25031	Bulb Vinyl-Large	4
10	18620	Setting Block	4
11	20258	#8 FHP Screw, 2"	16
12	25058	Q-Lon Foam Seal (at Head)	1
13	25059	Q-Lon Foam Seal	4
14	25582	Hinge Back Up Plate	2
15	25486, 25487	# 10-32 FH Torx Screw, 0.5", Clear, Black, Driver Size T25	10
16	25642, 25643	End Hanger Top	1
17	25642, 25643	End Hanger Bottom	1
18	25586	Hinge Back Up Plate	3
19	25488, 25489	# 10-32 FH Torx Screw, 1", Clear, Black, Driver Size T25	3
20	3906	Corner Block	4
21	25668	.375-16 Hex Head Cap Screw, 1.625"	4
22	25024	.375 Split Lock Washer	4
23	25023	.375-16 Stainless Steel Hex Nut	4
24	25573	Back up Plate Corner Block	4
25	25683	Foam Seal	1

Description

Panel 2 B.O.M.

File Name

Series 3600-T 2L2R
Assembly

REV

-

Released

7/11/2017

SHEET 6 OF 6

PROPRIETARY AND CONFIDENTIAL

THE INFORMATION CONTAINED IN THIS DRAWING IS THE SOLE PROPERTY OF FLEETWOOD WINDOWS & DOORS.
ANY REPRODUCTION IN PART OR AS A WHOLE WITHOUT THE WRITTEN PERMISSION OF FLEETWOOD WINDOWS & DOORS IS PROHIBITED.