

# ASSEMBLY / PARTS LIST (B.O.M.)

**Series: 3600-T**  
**Type: 2L1R and 1L2R Configuration**

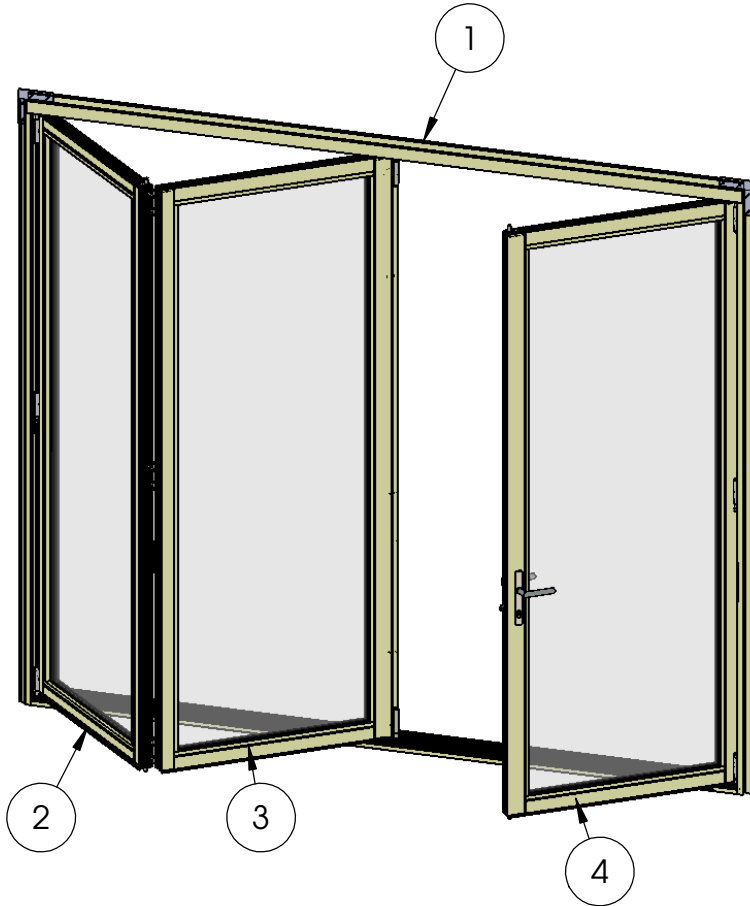


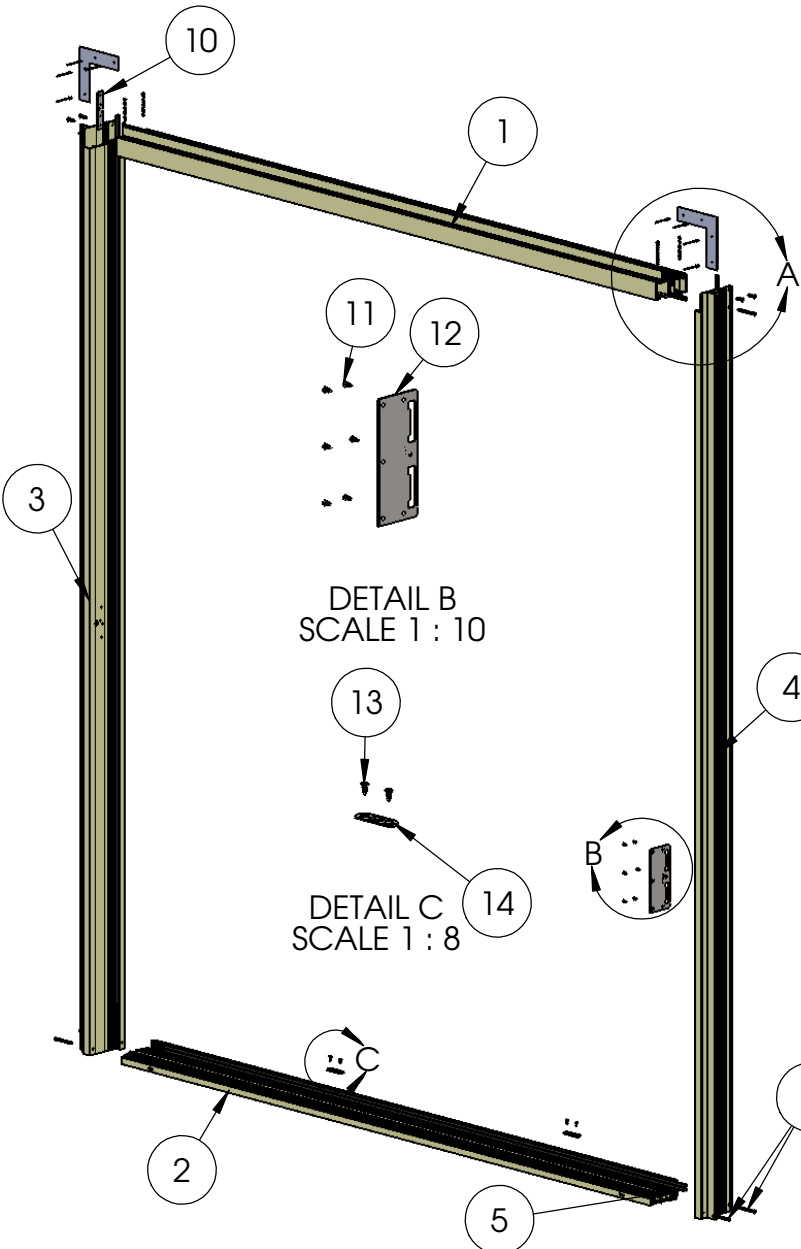
TABLE OF CONTENTS			
ITEM NO.	PART NUMBER	QTY.	PAGE #
1	Frame Assembly	1	2
2	Panel 1 Assembly	1	3-4
3	Panel 2 Assembly	1	5-6
4	Panel 3 Assembly	1	7-9

**NOTES:**

- 2L1R Configuration shown
- Out-Swing Door shown
- Relative to the exterior numbering of panels is from left to right

Description Table of Contents	
File Name Series 3600-T 2L1R and 1L2R Assembly	REV -
Released 7/11/2017	SHEET 1 OF 9

# ASSEMBLY / PARTS LIST (B.O.M.)



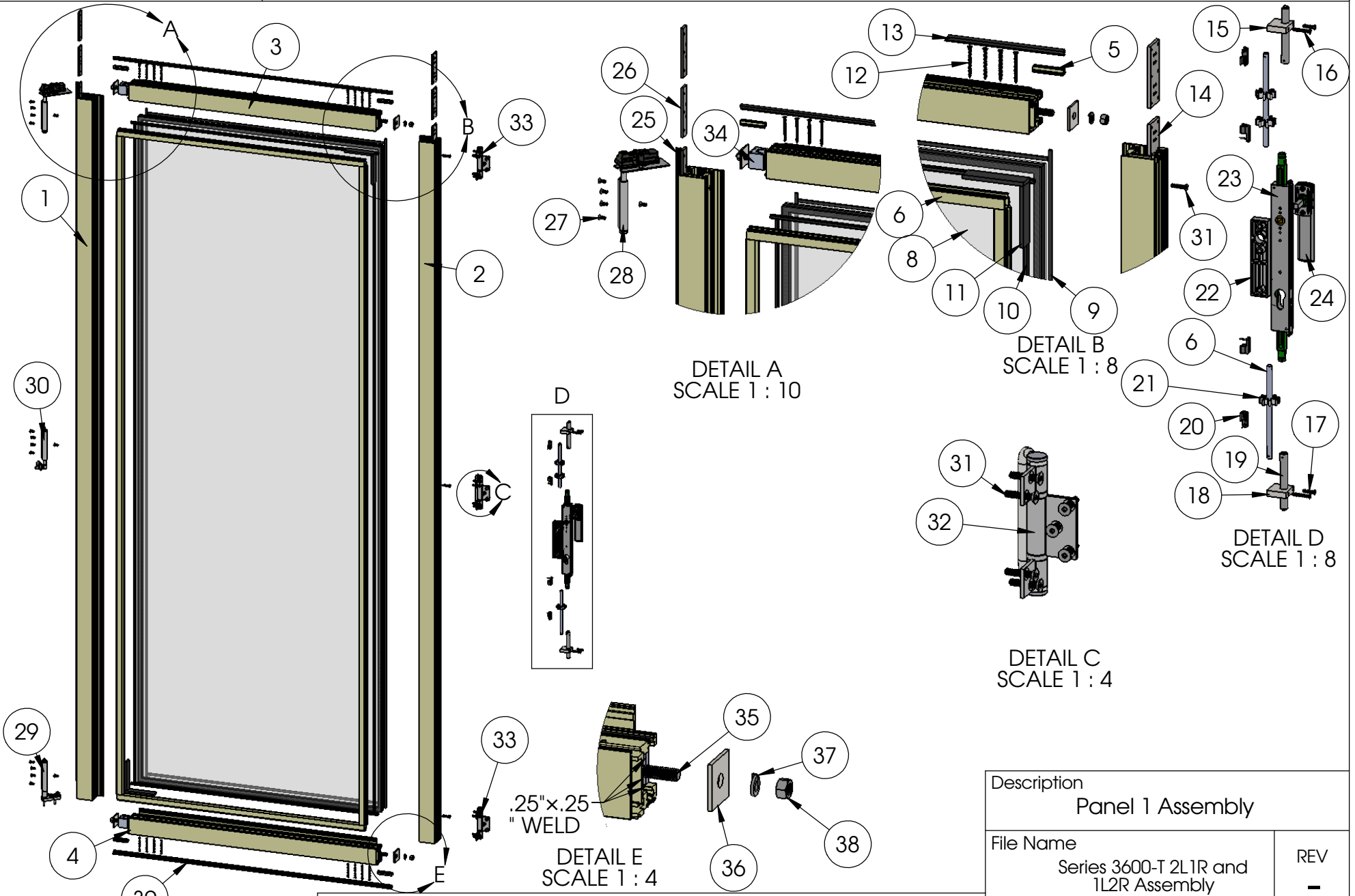
EXTRUSIONS			
ITEM NO.	PART NUMBER	DESCRIPTION	QTY.
1	3601	Head	1
2	3602	Sill	1
3	3603	Left Jamb	1
4	3603	Right Jamb	1

HARDWARE			
ITEM NO.	PART NUMBER	DESCRIPTION	QTY.
5	25059	Q-Lon Foam Seal	5
6	25075	# 10 PHP Screw, 2.5 In	10
7	20350	# 10 PHP Screw, 1 in.	4
8	18629	Nail-Fin Corner (For Nail-Fin Door)	2
9	25504	Pop Rivet	8
10	25585	Jamb Hinge Back Up Plate	1
11	20240	#8 FHP - A - UC, 1/2", SS, Clear	6
12	24993	Latch-Deadbolt Strike Plate	1
13	20275	# 10 FHP-A-UC Screw, .5 in., Clear	4
14	25663	Shoot Bolt Strike Plate (part of a kit)	2

Description Frame Assembly/B.O.M.	
File Name Series 3600-T 2L1R and 1L2R Assembly	REV -
Released 7/11/2017	SHEET 2 OF 9

**PROPRIETARY AND CONFIDENTIAL**  
THE INFORMATION CONTAINED IN THIS DRAWING IS THE SOLE PROPERTY OF FLEETWOOD WINDOWS & DOORS.  
ANY REPRODUCTION IN PART OR AS A WHOLE WITHOUT THE WRITTEN PERMISSION OF FLEETWOOD WINDOWS & DOORS IS PROHIBITED.

# ASSEMBLY / PARTS LIST (B.O.M.)



PROPRIETARY AND CONFIDENTIAL  
THE INFORMATION CONTAINED IN THIS DRAWING IS THE SOLE PROPERTY OF FLEETWOOD WINDOWS & DOORS.  
ANY REPRODUCTION IN PART OR AS A WHOLE WITHOUT THE WRITTEN PERMISSION OF FLEETWOOD WINDOWS & DOORS IS PROHIBITED.

Description Panel 1 Assembly	
File Name Series 3600-T 2L1R and 1L2R Assembly	REV -
Released 7/11/2017	SHEET 3 OF 9

# ASSEMBLY / PARTS LIST (B.O.M.)

## Extrusions

ITEM NO.	PART NUMBER	DESCRIPTION	QTY.
1	3604	Left Stile	1
2	3604	Right Stile	1
3	3604	Top Rail	1
4	3604	Bottom Rail	1
5	3916	Seal Clip	4
6	FW1203	Aluminum Rod	2
7	3907	1" Glass Stop (Shown)	4

## Hardware

ITEM NO.	PART NUMBER	DESCRIPTION	QTY.
8	IG Glass	Glass	1
9	25199	Mini Bulb Vinyl	4
10	25031	Bulb Vinyl-Large	2
11	18620	Setting Block	4
12	20258	# 8 FHP Screw, 2"	16
13	25058	Q-Lon Foam Seal (at Head)	1
14	25586	Hinge Back Up Plate	3
15	25587	Top Shoot Bolt Guide	1
16	25343	# 8-32 FHP Screw, 1.125"	2
17	25760	# 8-32 FHP SCrew, .75"	2
18	25588	Bottom Shoot Bolt Guide	1
19	25663	Shoot Bolt Ends (part of a kit)	2
20	25663	Locking Pins (part of a kit)	4
21	25566	Shoot Bolt Rod Guide	3
22	25665	Plastic Lock Spacer (In-swing only)	1
23	25662	DPL Lock Body	1
24	25656,25657	DPL Non-Locking Handle	1
25	25059	Q-Lon Foam Seal	1

## Hardware

ITEM NO.	PART NUMBER	DESCRIPTION	QTY.
26	25582	Hinge Back Up Plate	3
27	25486, 25487	# 10-32 FH Torx Screw, 0.5", Clear, Black, Driver Size T25	15
28	25638,25639	Pivot Top (part of a set)	1
29	25638,25639	Pivot Bottom (part of a set)	1
30	25640,25641	Jamb Pivot	1
31	25488, 25489	# 10-32 FH Torx Screw, 1", Clear, Black, Driver Size T25	24
32	25646,25647	Hinge Handle Middle (part of a set)	1
33	25646,25647	Hinge Handle Top and Bottom (part of a set)	2
34	3906	Corner Block	4
35	25668	.375-16 Hex Head Cap Screw, 1.625"	4
36	25573	Back up Plate Corner Block	4
37	25024	.375 Split Lock Washer	4
38	25023	.375-16 Stainless Steel Hex Nut	4
39	25683	Foam Seal	1

Description

Panel 1 B.O.M.

File Name

Series 3600-T 2L1R and  
1L2R Assembly

REV

-

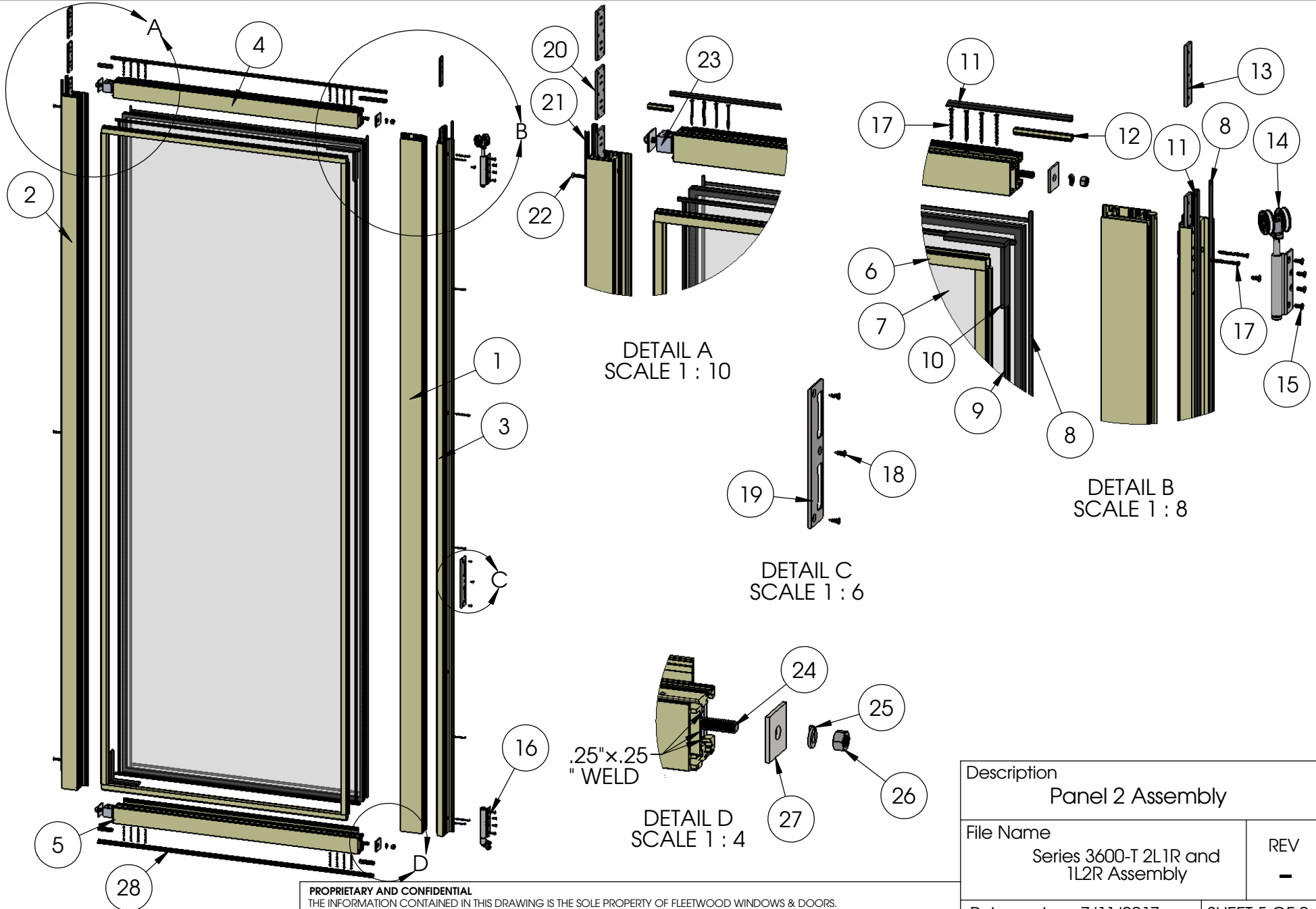
Released 7/11/2017

SHEET 4 OF 9

**PROPRIETARY AND CONFIDENTIAL**

THE INFORMATION CONTAINED IN THIS DRAWING IS THE SOLE PROPERTY OF FLEETWOOD WINDOWS & DOORS.  
ANY REPRODUCTION IN PART OR AS A WHOLE WITHOUT THE WRITTEN PERMISSION OF FLEETWOOD WINDOWS & DOORS IS PROHIBITED.

# ASSEMBLY / PARTS LIST (B.O.M.)



**PROPRIETARY AND CONFIDENTIAL**  
THE INFORMATION CONTAINED IN THIS DRAWING IS THE SOLE PROPERTY OF FLEETWOOD WINDOWS & DOORS.  
ANY REPRODUCTION IN PART OR AS A WHOLE WITHOUT THE WRITTEN PERMISSION OF FLEETWOOD WINDOWS & DOORS IS PROHIBITED.

Description Panel 2 Assembly	
File Name Series 3600-T 2L1R and 1L2R Assembly	REV -
Released	7/11/2017
SHEET 5 OF 9	

# ASSEMBLY / PARTS LIST (B.O.M.)

## Extrusions

ITEM NO.	PART NUMBER	DESCRIPTION	QTY.
1	3205	Sash - Lock Stile	1
2	3604	Left Stile	1
3	3206	Astragal	1
4	3604	Top Rail	1
5	3604	Bottom Rail	1
6	3907	1" Glass Stop (Shown)	4

## Hardware

## Hardware

ITEM NO.	PART NUMBER	DESCRIPTION	QTY.
7	IG Glass	Glass	1
8	25199	Mini Bulb Vinyl	5
9	25031	Bulb Vinyl-Large	4
10	18620	Setting Block 4" x 1/4"x1"	4
11	25058	Q-Lon Foam Seal (at Head and Astragal)	2
12	3916	Seal Clip	4
13	25582	Hinge Back Up Plate	2
14	25642,25643	End Hanger Top, Clear, Black	1
15	25486, 25487	# 10-32 FH Torx Screw, 0.5", Clear, Black, Driver Size T25	10
16	25642,25643	End Hanger Bottom, Clear, Black	1
17	20258	# 8 FHP Screw, 2"	24
18	20240	# 8 FHP - A - UC, 0.5", SS, Clear	3
19	24993	Latch-Deadbolt Strike Plate	1
20	25586	Hinge Back Up Plate	3
21	25059	Q-Lon Foam Seal	2
22	25488, 25489	# 10-32 FH Torx Screw, 1", Clear, Black, Driver Size T25	3
23	3906	Corner Block	4
24	25668	.375-16 Hex Head Cap Screw, 1.625"	4
25	25024	.375 Split Lock Washer	4
26	25023	.375-16 Stainless Steel Hex Nut	4
27	25573	Back up Plate Corner Block	4
28	25683	Foam Seal	1

Description

Panel 2 B.O.M.

File Name

Series 3600-T 2L1R and  
1L2R Assembly

REV

-

Released

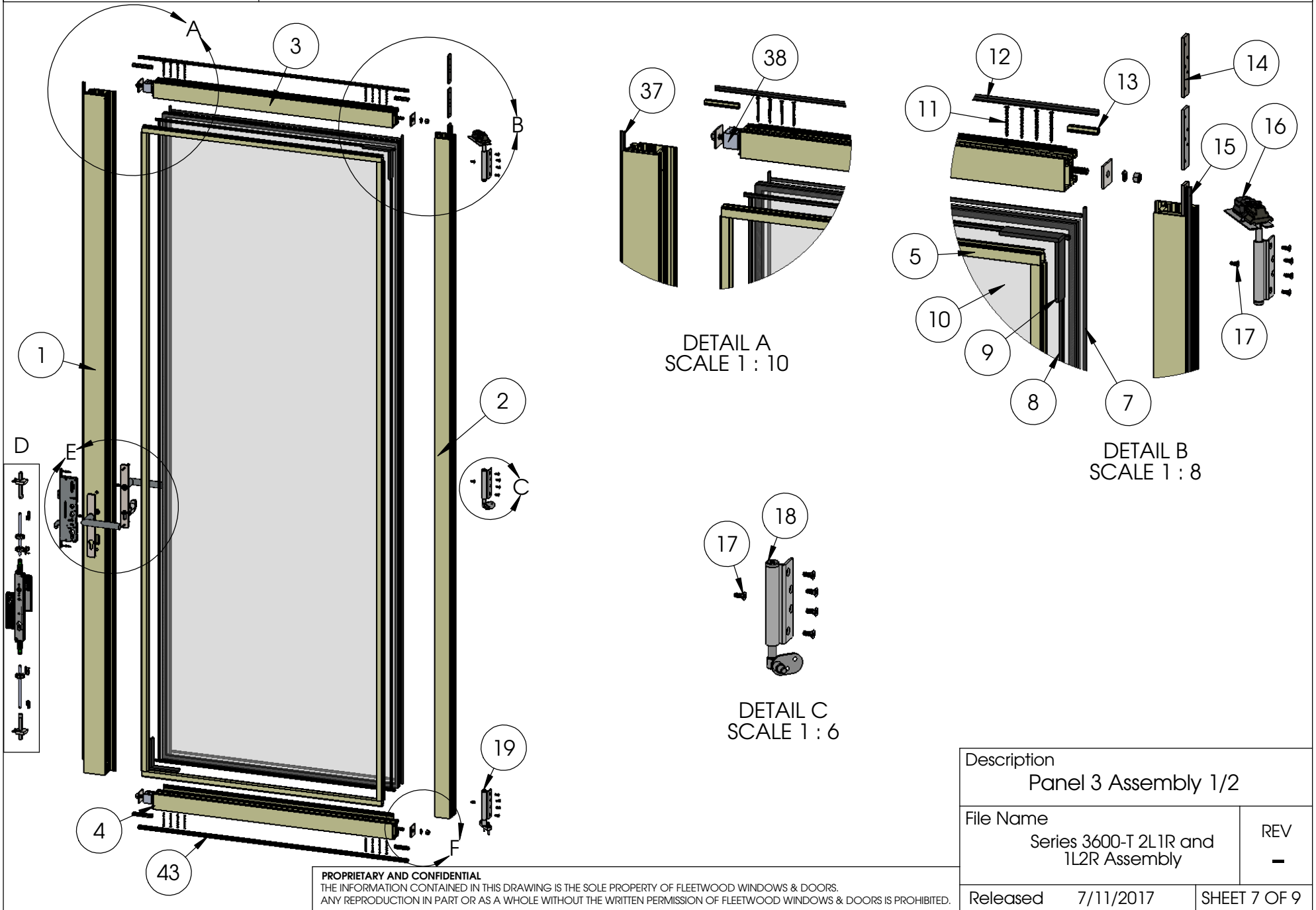
7/11/2017

SHEET 6 OF 9

**PROPRIETARY AND CONFIDENTIAL**

THE INFORMATION CONTAINED IN THIS DRAWING IS THE SOLE PROPERTY OF FLEETWOOD WINDOWS & DOORS.  
ANY REPRODUCTION IN PART OR AS A WHOLE WITHOUT THE WRITTEN PERMISSION OF FLEETWOOD WINDOWS & DOORS IS PROHIBITED.

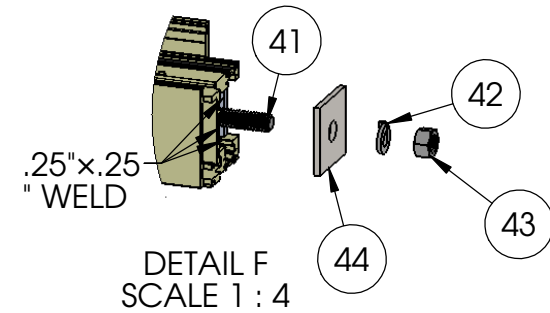
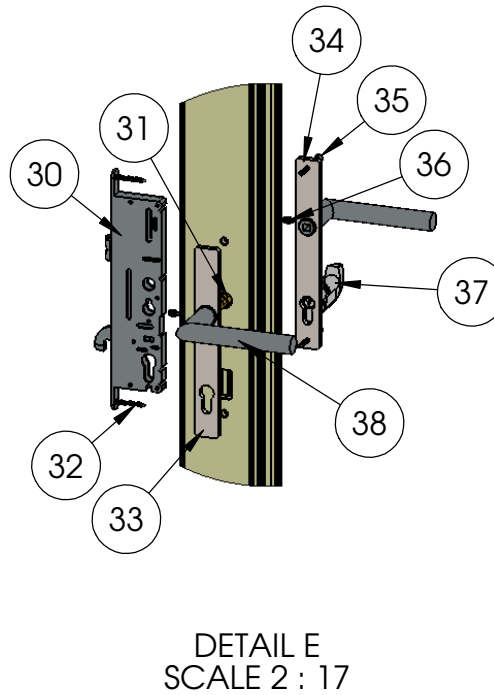
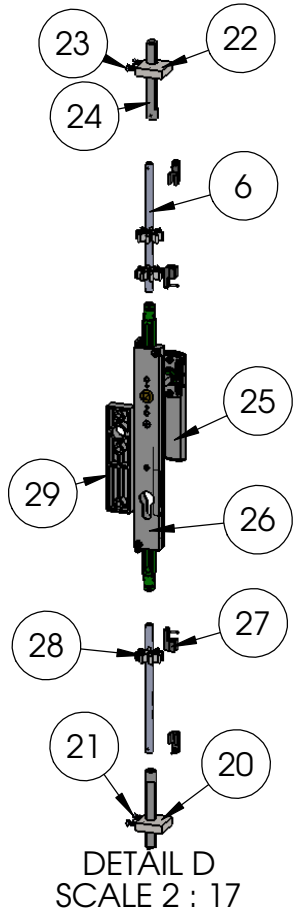
# ASSEMBLY / PARTS LIST (B.O.M.)



**PROPRIETARY AND CONFIDENTIAL**  
THE INFORMATION CONTAINED IN THIS DRAWING IS THE SOLE PROPERTY OF FLEETWOOD WINDOWS & DOORS.  
ANY REPRODUCTION IN PART OR AS A WHOLE WITHOUT THE WRITTEN PERMISSION OF FLEETWOOD WINDOWS & DOORS IS PROHIBITED.

Description Panel 3 Assembly 1/2	
File Name Series 3600-T 2L1R and 1L2R Assembly	REV -
Released 7/11/2017	SHEET 7 OF 9

# ASSEMBLY / PARTS LIST (B.O.M.)



**PROPRIETARY AND CONFIDENTIAL**  
 THE INFORMATION CONTAINED IN THIS DRAWING IS THE SOLE PROPERTY OF FLEETWOOD WINDOWS & DOORS.  
 ANY REPRODUCTION IN PART OR AS A WHOLE WITHOUT THE WRITTEN PERMISSION OF FLEETWOOD WINDOWS & DOORS IS PROHIBITED.

Description Panel 3 Assembly 2/2	
File Name Series 3600-T 2L1R and 1L2R Assembly	REV -
Released 7/11/2017	SHEET 8 OF 9



# ASSEMBLY / PARTS LIST (B.O.M.)

## Extrusions

ITEM NO.	PART NUMBER	DESCRIPTION	QTY.
1	3205	Sash - Lock Stile	1
2	3604	Right Stile	1
3	3604	Top Rail	1
4	3604	Bottom Rail	1
5	3907	1" Glass Stop (Shown)	2
6	FW1203	Aluminum Rod	2

## Hardware

ITEM NO.	PART NUMBER	DESCRIPTION	QTY.
7	25199	Mini Bulb Vinyl	4
8	25031	Bulb Vinyl-Large	4
9	18620	Setting Block 4" x 1/4"x1"	4
10	IG Glass	Glass	1
11	20258	# 8 FHP Screw, 2"	16
12	25058	Q-Lon Foam Seal (at Head)	1
13	3916	Seal Clip	4
14	25582	Hinge Back Up Plate	3
15	25059	Q-Lon Foam Seal	1
16	25638,25639	Pivot Top (part of a set)	1
17	25486, 25487	# 10-32 FH Torx Screw, 0.5", Clear, Black, Driver Size T25	15
18	25640,25641	Jamb Pivot	1
19	25638,25639	Pivot Bottom (part of a set)	1
20	25588	Bottom Shoot Bolt Guide	1
21	25760	# 8-32 FHP SCrew, .75 in.	2
22	25587	Top Shoot Bolt Guide	1
23	25343	# 8-32 FHP Screw, 1.125 in	2
24	25663	Shoot Bolt Ends (part of a kit)	2
25	25656,25657	DPL Non-Locking Handle	1
26	25662	DPL Lock Body	1
27	25663	Locking Pins (part of a kit)	4
28	25566	Shoot Bolt Rod Guide	3

## Hardware

ITEM NO.	PART NUMBER	DESCRIPTION	QTY.
29	25665	Plastic Lock Spacer (In-swing only)	1
30	25758	Yale Latch	1
31	23203	Spindle	1
32	20252	Flat Head Phillips Sheet Metal Screw No 8 Size, 1.5"	2
33	25207	Escutcheon-Active,Exterior-1	1
34	25207	Escutcheon-Active, Interior-2	1
35	25342	# 10-32 FHP Screw, 2.25"	2
36	(Shipped with Handle)	Socket Set Screw .250-20, .375"	2
37	23204	FSB Cylinder for Active	1
38	23654	FSB_1076 Lever (Default)	2
39	25058	Q-Lon Foam Seal	1
40	3906	Corner Block	4
41	25668	.375-16 Hex Head Cap Screw, 1.625"	4
42	25024	.375 Split Lock Washer	4
43	25023	.375-16 Stainless Steel Hex Nut	4
44	25573	Back up Plate Corner Block	4
45	25683	Foam Seal	1

Description

Panel 3 B.O.M.

File Name

Series 3600-T 2L1R and  
1L2R Assembly

REV

-

Released

7/11/2017

SHEET 9 OF 9

**PROPRIETARY AND CONFIDENTIAL**

THE INFORMATION CONTAINED IN THIS DRAWING IS THE SOLE PROPERTY OF FLEETWOOD WINDOWS & DOORS.  
ANY REPRODUCTION IN PART OR AS A WHOLE WITHOUT THE WRITTEN PERMISSION OF FLEETWOOD WINDOWS & DOORS IS PROHIBITED.