

# ASSEMBLY / PARTS LIST (B.O.M.)

**Series: 3600-T**  
**Type: 2L and 2R Configuration**

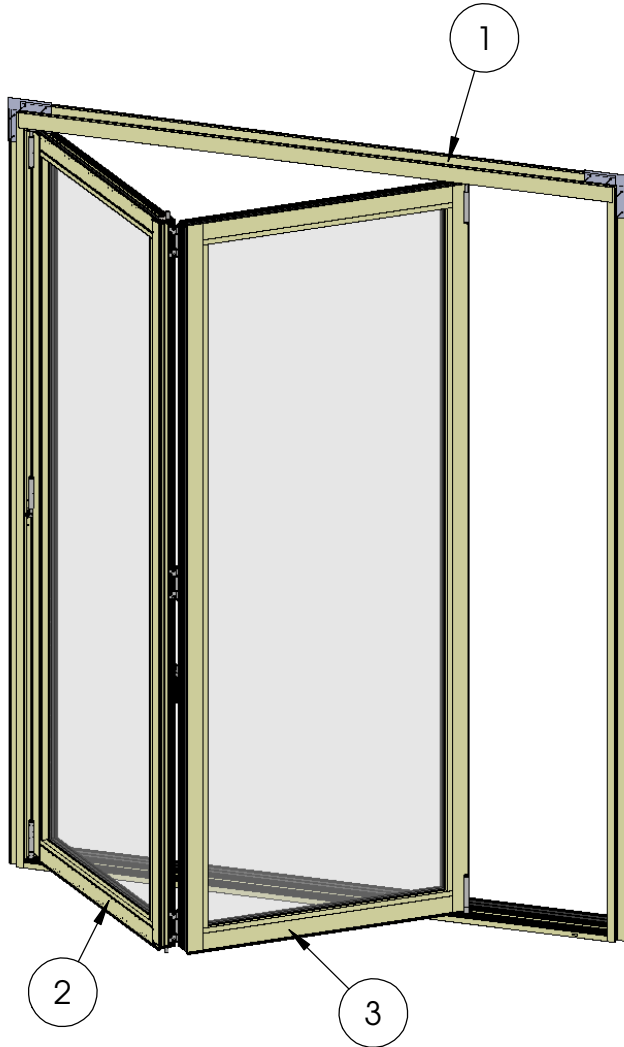


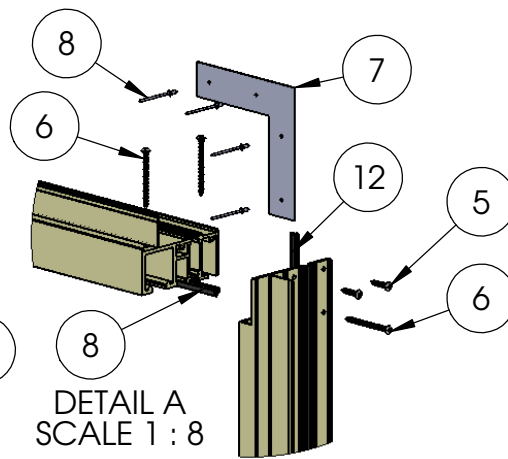
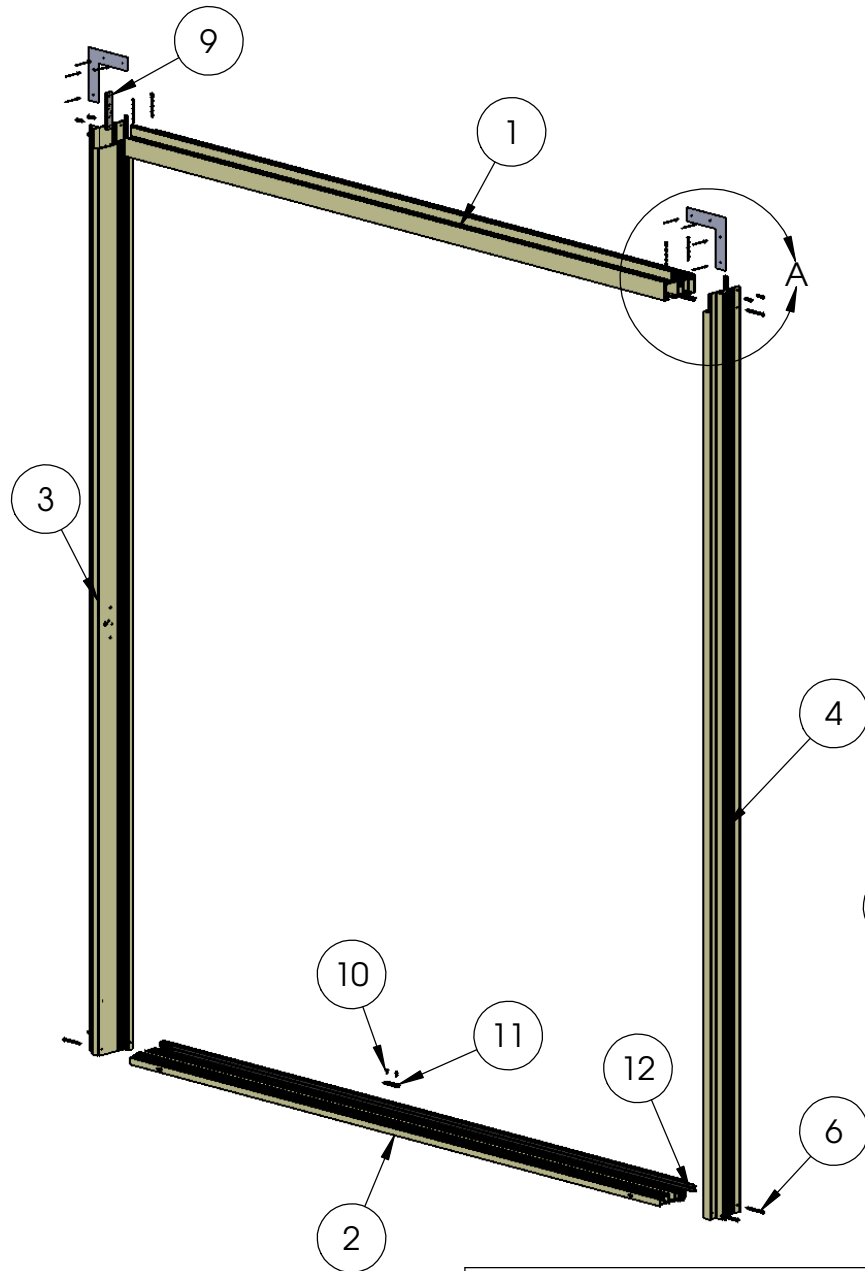
TABLE OF CONTENTS			
ITEM NO.	DESCRIPTION	QTY.	PAGE #
1	Frame Assembly	1	2
2	Panel 1 Assembly	1	3-4
3	Panel 2 Assembly	1	5-6

**NOTES:**

- 2L Configuration shown
- Out-Swing Door shown
- Relative to the exterior numbering of panels is from left to right

Description Table of Contents	
File Name Series 3600-T 2L and 2R Assembly	REV -
Released 6/29/2017	SHEET 1 OF 6

# ASSEMBLY / PARTS LIST (B.O.M.)



## EXTRUSIONS

ITEM NO.	PART NUMBER	DESCRIPTION	QTY.
1	3601	Head	1
2	3602	Sill	1
3	3603	Left Jamb	1
4	3603	Right Jamb	1

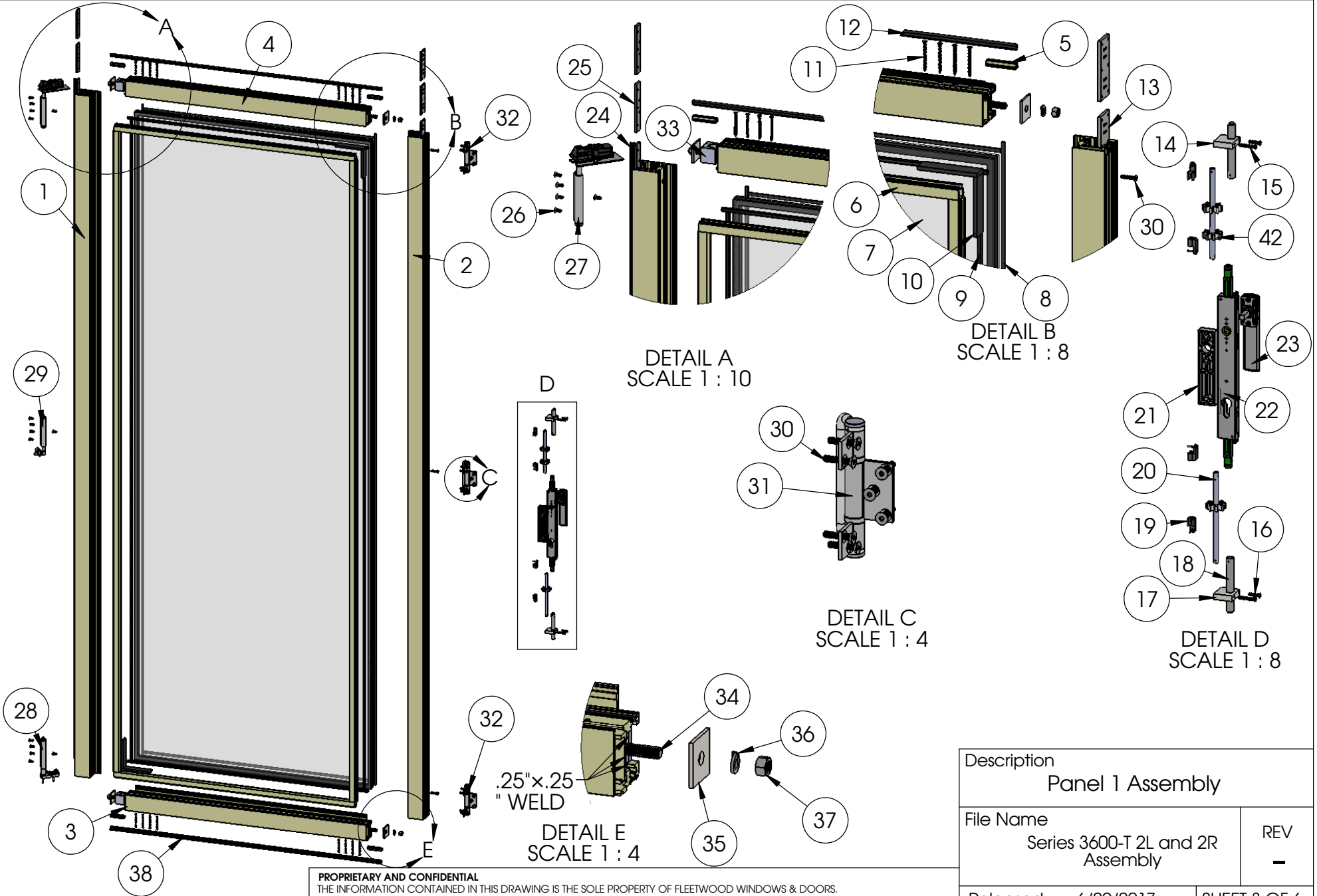
## HARDWARE

ITEM NO.	PART NUMBER	DESCRIPTION	QTY.
5	20350	# 10 PHP Screw, 1 in.	4
6	25075	# 10 PHP Screw, 2.5 In	10
7	18629	Nail-Fin Corner (For Nail-Fin Door)	2
8	25504	Pop Rivet	8
9	25585	Jamb Hinge Back Up Plate	1
10	20275	# 10 FHP-A-UC Screw, .5 in., Clear	2
11	25663	Shoot Bolt Strike Plate (part of a kit)	1
12	25059	Q-Lon Foam Seal	5

**PROPRIETARY AND CONFIDENTIAL**  
THE INFORMATION CONTAINED IN THIS DRAWING IS THE SOLE PROPERTY OF FLEETWOOD WINDOWS & DOORS.  
ANY REPRODUCTION IN PART OR AS A WHOLE WITHOUT THE WRITTEN PERMISSION OF FLEETWOOD WINDOWS & DOORS IS PROHIBITED.

Description Frame Assembly/B.O.M.	
File Name Series 3600-T 2L and 2R Assembly	REV -
Released	6/29/2017
SHEET 2 OF 6	

# ASSEMBLY / PARTS LIST (B.O.M.)



PROPRIETARY AND CONFIDENTIAL  
THE INFORMATION CONTAINED IN THIS DRAWING IS THE SOLE PROPERTY OF FLEETWOOD WINDOWS & DOORS.  
ANY REPRODUCTION IN PART OR AS A WHOLE WITHOUT THE WRITTEN PERMISSION OF FLEETWOOD WINDOWS & DOORS IS PROHIBITED.

Description	
Panel 1 Assembly	
File Name	REV
Series 3600-T 2L and 2R Assembly	-
Released	SHEET 3 OF 6
6/29/2017	

# ASSEMBLY / PARTS LIST (B.O.M.)

## Extrusions

ITEM NO.	PART NUMBER	DESCRIPTION	QTY.
1	3604	Left Stile	1
2	3604	Right Stile	1
3	3604	Top Rail	1
4	3604	Bottom Rail	1
5	3916	Seal Clip	4
6	3907	1" Glass Stop (Shown)	4

## Hardware

ITEM NO.	PART NUMBER	DESCRIPTION	QTY.
7	IG Glass	Glass	1
8	25199	Mini Bulb Vinyl	4
9	25031	Bulb Vinyl-Large	2
10	18620	Setting Block	4
11	20258	#8 FHP Screw, 2"	16
12	25058	Q-Lon Foam Seal (at Head)	1
13	25586	Hinge Back Up Plate	3
14	25587	Top Shoot Bolt Guide	1
15	25343	#8-32 FHP Screw, 1.125"	2
16	25760	#8-32 FHP SCrew, .75"	2
17	25588	Bottom Shoot Bolt Guide	1
18	25663	Shoot Bolt Ends (part of a kit)	2
19	25663	Locking Pins (part of a kit)	4
20	FW1203	Aluminum Rod	2
21	25665	Plastic Lock Spacer (In-swing only)	1
22	25662	DPL Lock Body	1
23	25656,25657	DPL Non-Locking Handle	1
24	25059	Q-Lon Foam Seal	1
25	25582	Hinge Back Up Plate	3

## Hardware

ITEM NO.	PART NUMBER	DESCRIPTION	QTY.
26	25486, 25487	# 10-32 FH Torx Screw, 0.5", Clear, Black, Driver Size T25	15
27	25638,25639	Pivot Top (part of a set)	1
28	25638,25639	Pivot Bottom (part of a set)	1
29	25640,25641	Jamb Pivot	1
30	25488, 25489	# 10-32 FH Torx Screw, 1", Clear, Black, Driver Size T25	24
31	25646,25647	Hinge Handle Middle (part of a set)	1
32	25646,25647	Hinge Handle Top and Bottom (part of a set)	2
33	3906	Corner Block	4
34	25668	.375-16 Hex Head Cap Screw, 1.625"	4
35	25573	Back up Plate Corner Block	4
36	25024	.375 Split Lock Washer	4
37	25023	.375-16 Stainless Steel Hex Nut	4
38	25683	Foam Seal	1
42	25566	Shoot Bolt Rod Guide	3

Description

Panel 1 B.O.M.

File Name

Series 3600-T 2L and 2R  
Assembly

REV

-

Released

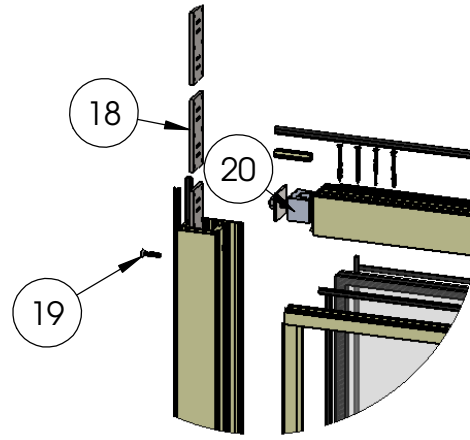
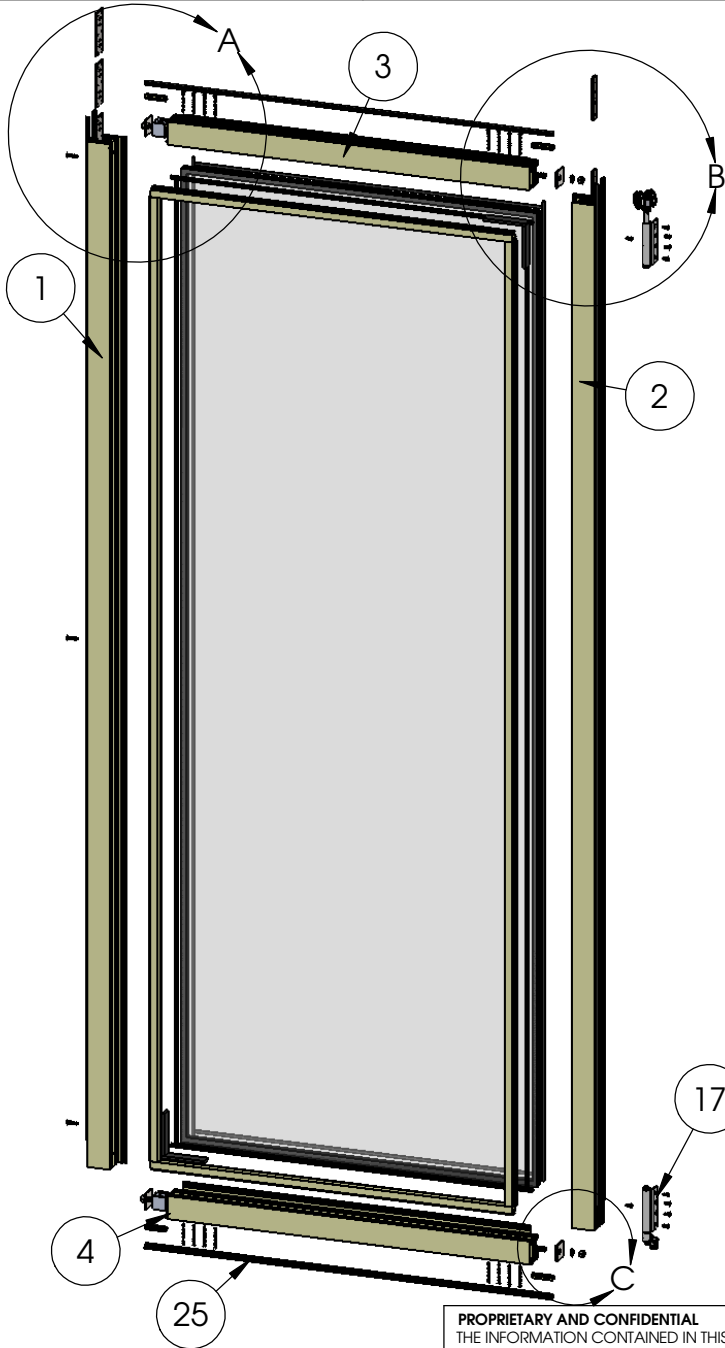
6/29/2017

SHEET 4 OF 6

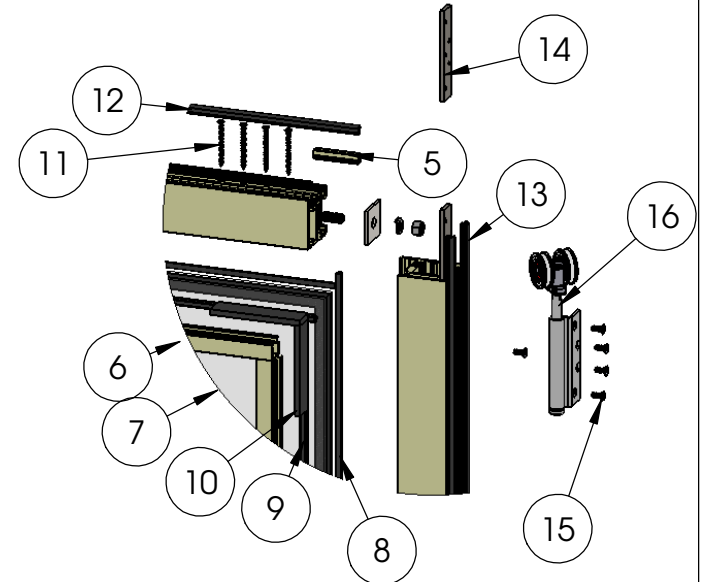
**PROPRIETARY AND CONFIDENTIAL**

THE INFORMATION CONTAINED IN THIS DRAWING IS THE SOLE PROPERTY OF FLEETWOOD WINDOWS & DOORS.  
ANY REPRODUCTION IN PART OR AS A WHOLE WITHOUT THE WRITTEN PERMISSION OF FLEETWOOD WINDOWS & DOORS IS PROHIBITED.

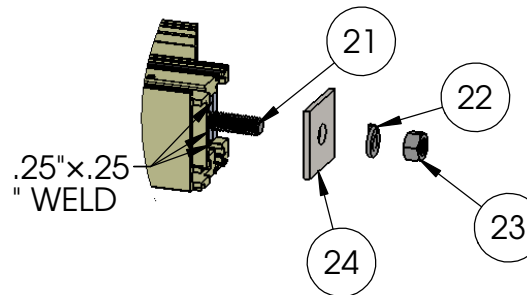
# ASSEMBLY / PARTS LIST (B.O.M.)



DETAIL A  
SCALE 1 : 10



DETAIL B  
SCALE 1 : 8



DETAIL C  
SCALE 1 : 4

**PROPRIETARY AND CONFIDENTIAL**  
THE INFORMATION CONTAINED IN THIS DRAWING IS THE SOLE PROPERTY OF FLEETWOOD WINDOWS & DOORS.  
ANY REPRODUCTION IN PART OR AS A WHOLE WITHOUT THE WRITTEN PERMISSION OF FLEETWOOD WINDOWS & DOORS IS PROHIBITED.

Description Panel 2 Assembly	
File Name Series 3600-T 2L and 2R Assembly	REV -
Released 6/29/2017	SHEET 5 OF 6

# ASSEMBLY / PARTS LIST (B.O.M.)

## Extrusions

ITEM NO.	PART NUMBER	DESCRIPTION	QTY.
1	3604	Left Stile	1
2	3604	Right Stile	1
3	3604	Top Rail	1
4	3604	Bottom Rail	1
5	3916	Seal Clip	4
6	3907	1" Glass Stop (Shown)	4

## Hardware

ITEM NO.	PART NUMBER	DESCRIPTION	QTY.
7	IG Glass	Glass	1
8	25199	Mini Bulb Vinyl	4
9	25031	Bulb Vinyl-Large	4
10	18620	Setting Block	4
11	20258	#8 FHP Screw, 2"	16
12	25058	Q-Lon Foam Seal (at Head)	1
13	25059	Q-Lon Foam Seal	4
14	25582	Hinge Back Up Plate	2
15	25486, 25487	# 10-32 FH Torx Screw, 0.5", Clear, Black, Driver Size T25	10
16	25642, 25643	End Hanger Top	1
17	25642, 25643	End Hanger Bottom	1
18	25586	Hinge Back Up Plate	3
19	25488, 25489	# 10-32 FH Torx Screw, 1", Clear, Black, Driver Size T25	3
20	3906	Corner Block	4
21	25668	.375-16 Hex Head Cap Screw, 1.625"	4
22	25024	.375 Split Lock Washer	4
23	25023	.375-16 Stainless Steel Hex Nut	4
24	25573	Back up Plate Corner Block	4
25	25683	Foam Seal	1

Description

Panel 2 B.O.M.

File Name

Series 3600-T 2L and 2R  
Assembly

REV

-

Released

6/29/2017

SHEET 6 OF 6

**PROPRIETARY AND CONFIDENTIAL**

THE INFORMATION CONTAINED IN THIS DRAWING IS THE SOLE PROPERTY OF FLEETWOOD WINDOWS & DOORS.  
ANY REPRODUCTION IN PART OR AS A WHOLE WITHOUT THE WRITTEN PERMISSION OF FLEETWOOD WINDOWS & DOORS IS PROHIBITED.