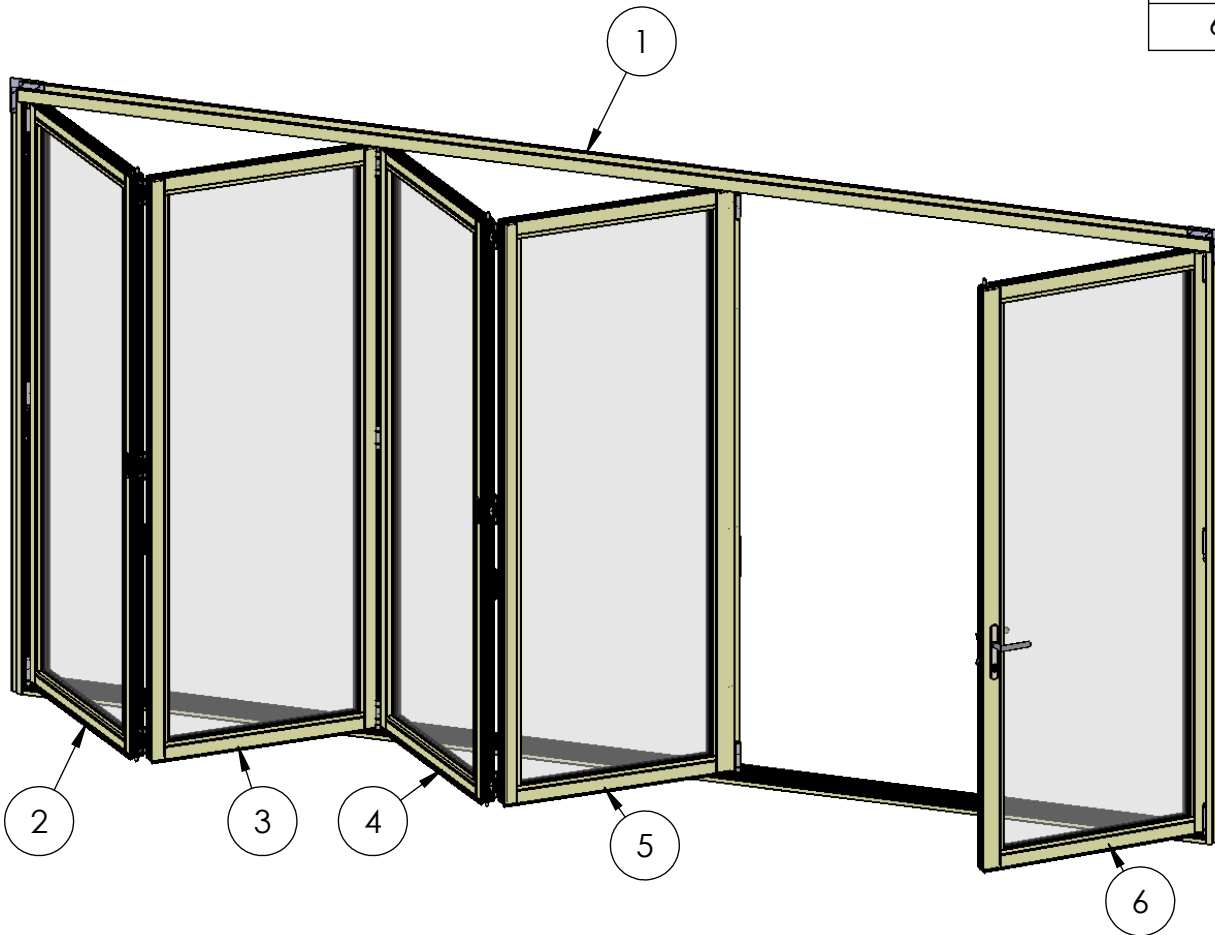


ASSEMBLY / PARTS LIST (B.O.M.)

Series: 3600-T
Type: 4L1R and 1L4R Configuration

TABLE OF CONTENTS			
ITEM NO.	DESCRIPTION	QTY.	PAGE #
1	Frame Assembly	1	2
2	Panel 1 Assembly	1	3-4
3	Panel 2 Assembly	1	5-6
4	Panel 3 Assembly	1	7-8
5	Panel 4 Assembly	1	9-10
6	Panel 5 Assembly	1	11-12

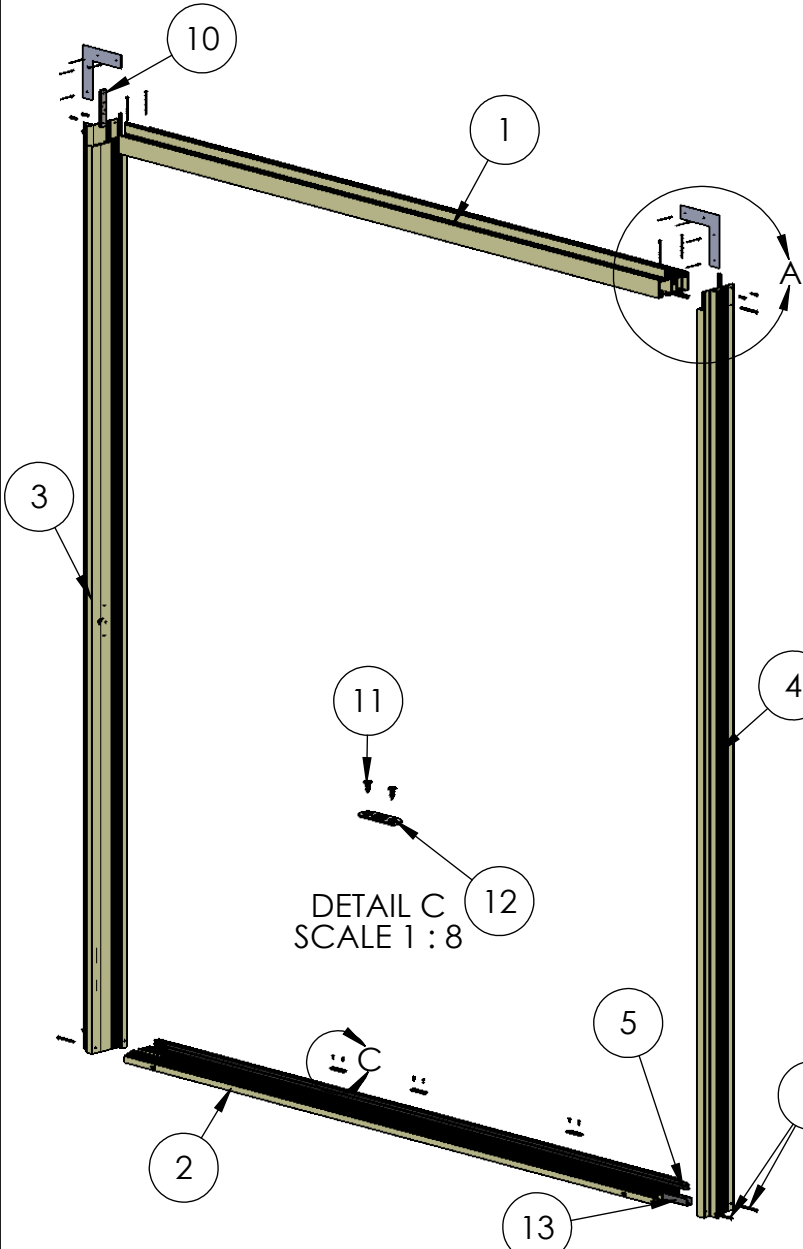


- NOTES:**
1. 4L1R Configuration shown
 2. Out-Swing Door shown
 3. Relative to the exterior, numbering of panels is from left to right
 4. Flush pulls on in-swing only.

PROPRIETARY AND CONFIDENTIAL
 THE INFORMATION CONTAINED IN THIS DRAWING IS THE SOLE PROPERTY OF FLEETWOOD WINDOWS & DOORS.
 ANY REPRODUCTION IN PART OR AS A WHOLE WITHOUT THE WRITTEN PERMISSION OF FLEETWOOD WINDOWS & DOORS IS PROHIBITED.

Description Table of Contents	
File Name Series 3600-T 4L1R and 1L4R Assembly	REV -
Released 9/28/2017	SHEET 1 OF 12

ASSEMBLY / PARTS LIST (B.O.M.)

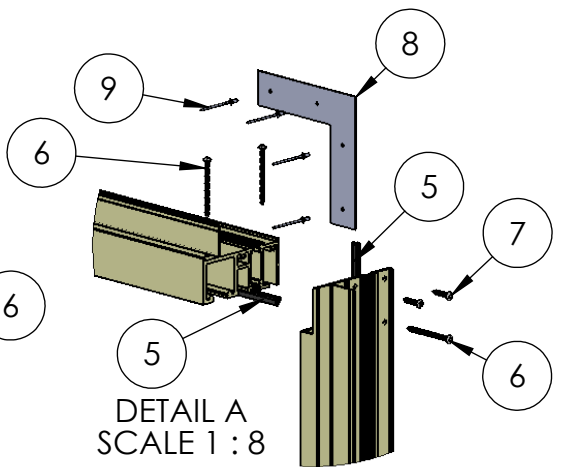


EXTRUSIONS

ITEM NO.	PART NUMBER	DESCRIPTION	QTY.
1	3601	Head	1
2	3602	Sill	1
3	3603	Left Jamb	1
4	3603	Right Jamb	1

HARDWARE

ITEM NO.	PART NUMBER	DESCRIPTION	QTY.
5	25059	Q-Lon Foam Seal	5
6	25075	#10 PHP Screw, 2.5 In	10
7	20350	#10 PHP Screw, 1 in.	4
8	18629	Nail-Fin Corner (For Nail-Fin Door)	2
9	25504	Pop Rivet	8
10	25585	Jamb Hinge Back Up Plate	1
11	20275	#10 FHP-A-UC Screw, .5 in., Clear	6
12	25663	Shoot Bolt Strike Plate (part of a kit)	3
13	25685	Polypropylene Channel	1



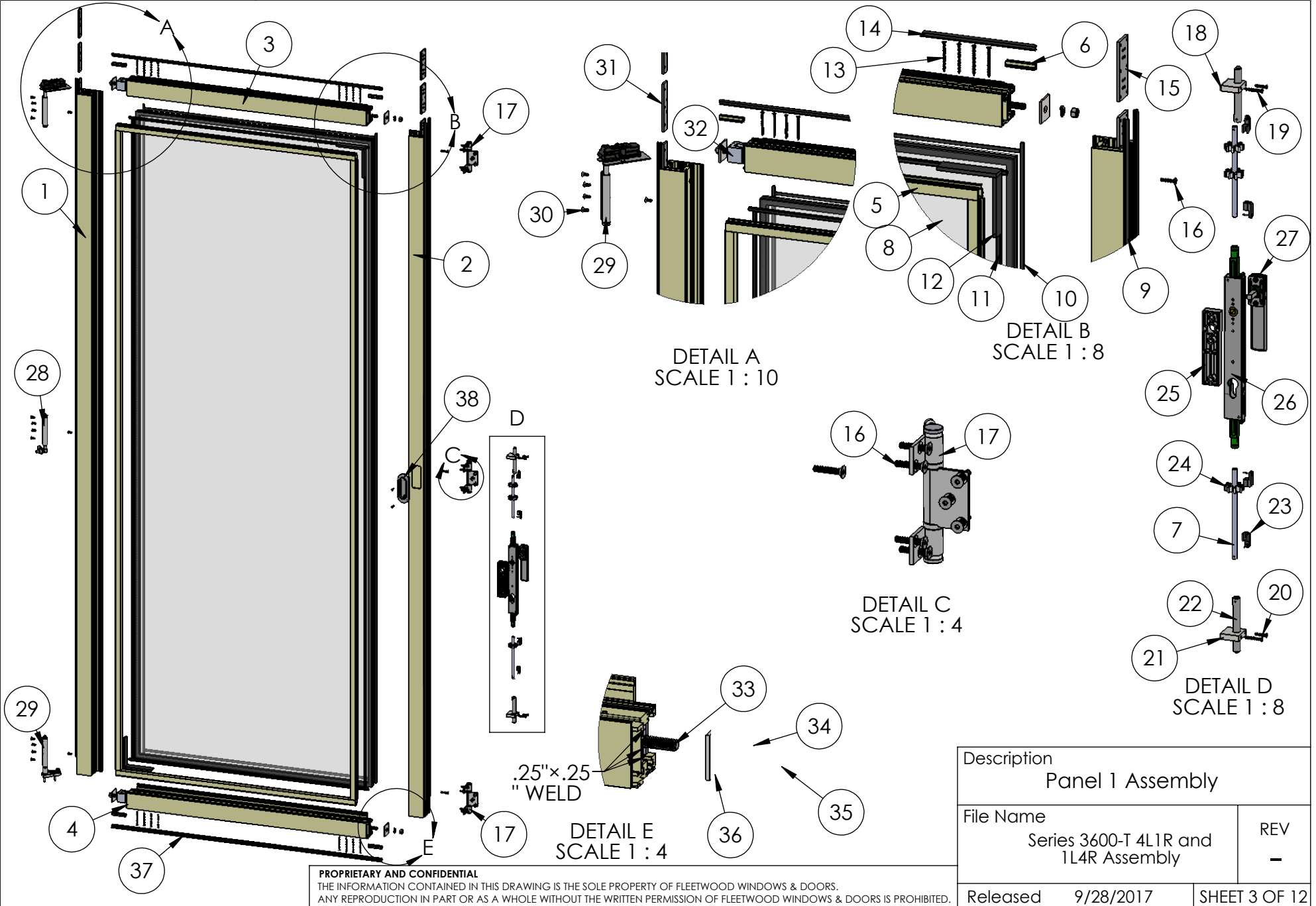
DETAIL C
SCALE 1 : 8

DETAIL A
SCALE 1 : 8

PROPRIETARY AND CONFIDENTIAL
THE INFORMATION CONTAINED IN THIS DRAWING IS THE SOLE PROPERTY OF FLEETWOOD WINDOWS & DOORS.
ANY REPRODUCTION IN PART OR AS A WHOLE WITHOUT THE WRITTEN PERMISSION OF FLEETWOOD WINDOWS & DOORS IS PROHIBITED.

Description Frame Assembly/B.O.M.	
File Name Series 3600-T 4L1R and 1L4R Assembly	REV -
Released 9/28/2017	SHEET 2 OF 12

ASSEMBLY / PARTS LIST (B.O.M.)



PROPRIETARY AND CONFIDENTIAL
THE INFORMATION CONTAINED IN THIS DRAWING IS THE SOLE PROPERTY OF FLEETWOOD WINDOWS & DOORS.
ANY REPRODUCTION IN PART OR AS A WHOLE WITHOUT THE WRITTEN PERMISSION OF FLEETWOOD WINDOWS & DOORS IS PROHIBITED.

Description Panel 1 Assembly	
File Name Series 3600-T 4L1R and 1L4R Assembly	REV -
Released	9/28/2017
SHEET 3 OF 12	



ASSEMBLY / PARTS LIST (B.O.M.)

Extrusions			
ITEM NO.	PART NUMBER	DESCRIPTION	QTY.
1	3604	Left Stile	1
2	3604	Right Stile	1
3	3604	Top Rail	1
4	3604	Bottom Rail	1
5	3907	1" Glass Stop (Shown)	4
6	3916	Seal Clip	4
7	FW1203	Aluminum Rod	2

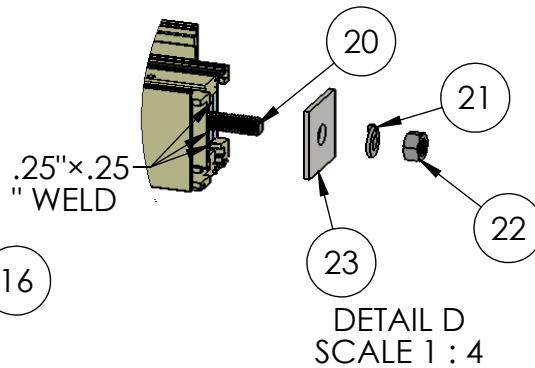
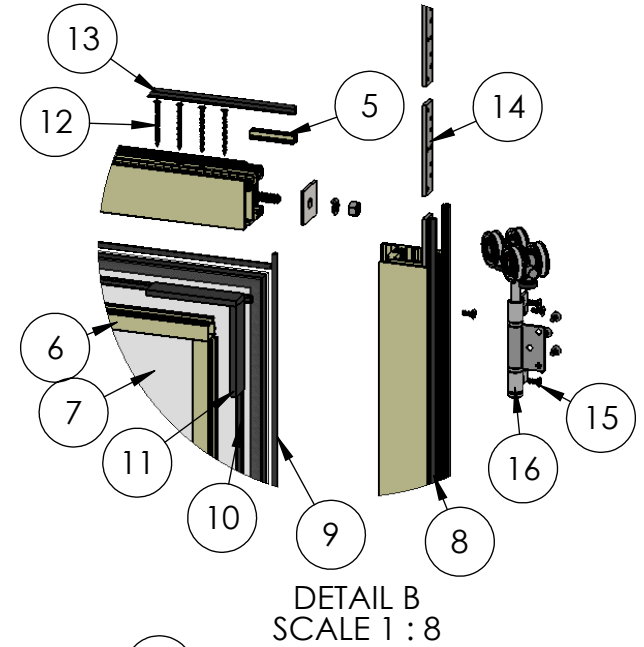
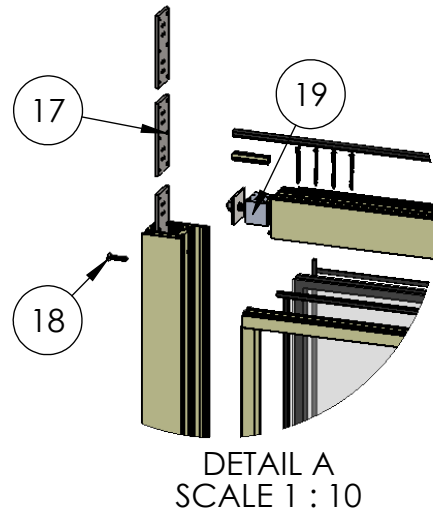
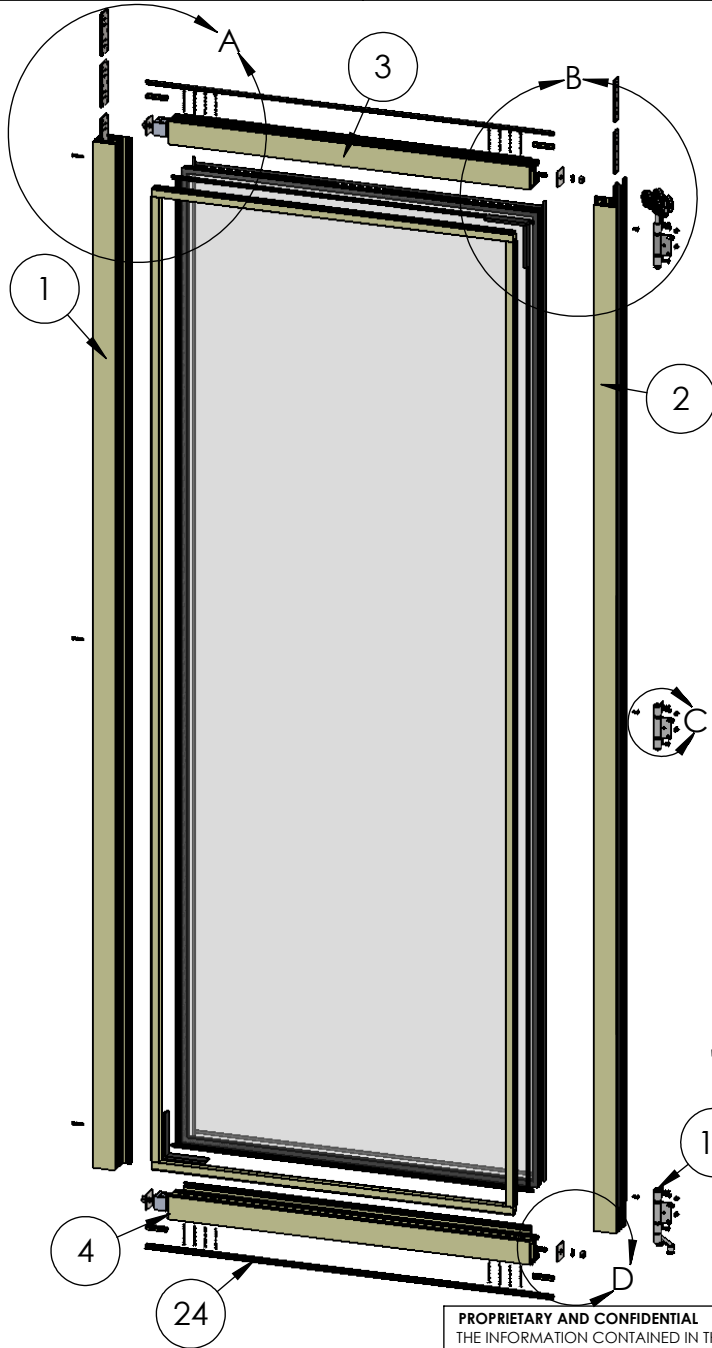
Hardware			
ITEM NO.	PART NUMBER	DESCRIPTION	QTY.
8	IG Glass	Glass	1
9	25059	Q-Lon Foam Seal	3
10	25199	Mini Bulb Vinyl	4
11	25031	Bulb Vinyl-Large	4
12	18620	Setting Block 4" x 1/4"x1"	4
13	20258	#8 FHP Screw, 2"	16
14	25058	Q-Lon Foam Seal (at Head)	1
15	25586	Hinge Back Up Plate	3
16	25488,25489	#10-32 FH Torx Screw, 1", Size T25 (Clear, Black)	24
17	25652,25653 25650,25651	Offset Hinge Handle Offset (S.S., Black) Off Hinge Set (S.S., Black)	1
18	25587	Top Shoot Bolt Guide	1
19	25343	#8-32 FHP Screw, 1.125"	2
20	25760	#8-32 FHP SCrew, .75"	2
21	25588	Bottom Shoot Bolt Guide	1
22	25663	Shoot Bolt Ends (part of a kit)	2
23	25663	Locking Pins (part of a kit)	4
24	25566	Shoot Bolt Rod Guide	3
25	25665	Plastic Lock Spacer (In-swing only)	1

Hardware			
ITEM NO.	PART NUMBER	DESCRIPTION	QTY.
26	25662	DPL Lock Body	1
27	25656,25657	DPL Non-Locking Handle	1
28	25640,25641	Jamb Pivot (S.S., Black)	1
29	25638,25639	Pivot Set (S.S., Black)	1
30	25486,25487	# 10-32 FH Torx Screw, 0.5", Size T25 (Clear, Black)	15
31	25582	Hinge Back Up Plate	3
32	3906	Corner Block	4
33	25668	.375-16 Hex Head Cap Screw, 1.625"	4
34	25024	.375 Split Lock Washer	4
35	25023	.375-16 Stainless Steel Hex Nut	4
36	25573	Back up Plate Corner Block	4
37	25683	Foam Seal	1
38	25654	Flush Pull with screws (in-swing only)	1

Description Panel 1 B.O.M.	
File Name Series 3600-T 4L1R and 1L4R Assembly	REV
Released 9/28/2017	SHEET 4 OF 12

PROPRIETARY AND CONFIDENTIAL
 THE INFORMATION CONTAINED IN THIS DRAWING IS THE SOLE PROPERTY OF FLEETWOOD WINDOWS & DOORS.
 ANY REPRODUCTION IN PART OR AS A WHOLE WITHOUT THE WRITTEN PERMISSION OF FLEETWOOD WINDOWS & DOORS IS PROHIBITED.

ASSEMBLY / PARTS LIST (B.O.M.)



.25" x .25"
" WELD

PROPRIETARY AND CONFIDENTIAL
 THE INFORMATION CONTAINED IN THIS DRAWING IS THE SOLE PROPERTY OF FLEETWOOD WINDOWS & DOORS.
 ANY REPRODUCTION IN PART OR AS A WHOLE WITHOUT THE WRITTEN PERMISSION OF FLEETWOOD WINDOWS & DOORS IS PROHIBITED.

Description Panel 2 Assembly	
File Name Series 3600-T 4L1R and 1L4R Assembly	REV -
Released 9/28/2017	SHEET 5 OF 12

ASSEMBLY / PARTS LIST (B.O.M.)

Extrusions			
ITEM NO.	PART NUMBER	DESCRIPTION	QTY.
1	3604	Left Stile	1
2	3604	Right Stile	1
3	3604	Top Rail	1
4	3604	Bottom Rail	1
5	3916	Seal Clip	4
6	3907	1" Glass Stop (Shown)	4
Hardware			
ITEM NO.	PART NUMBER	DESCRIPTION	QTY.
7	IG Glass	Glass	1
8	25059	Q-Lon Foam Seal	2
9	25199	Mini Bulb Vinyl	4
10	25031	Bulb Vinyl-Large	4
11	18620	Setting Block	4
12	20258	#8 FHP Screw, 2"	16
13	25058	Q-Lon Foam Seal (at Head)	1
14	25584	Hinge Back Up Plate Intermediate Carrier	3
15	25486,25487	#10-32 FH Torx Screw, 0.5", Clear, Black, Driver Size T25	24
16	25644,25645	Intermediate Hanger Set	1
17	25586	Hinge Back Up Plate	3
18	25488,25489	#10-32 FH Torx Screw, 1", Clear, Black, Driver Size T25	3

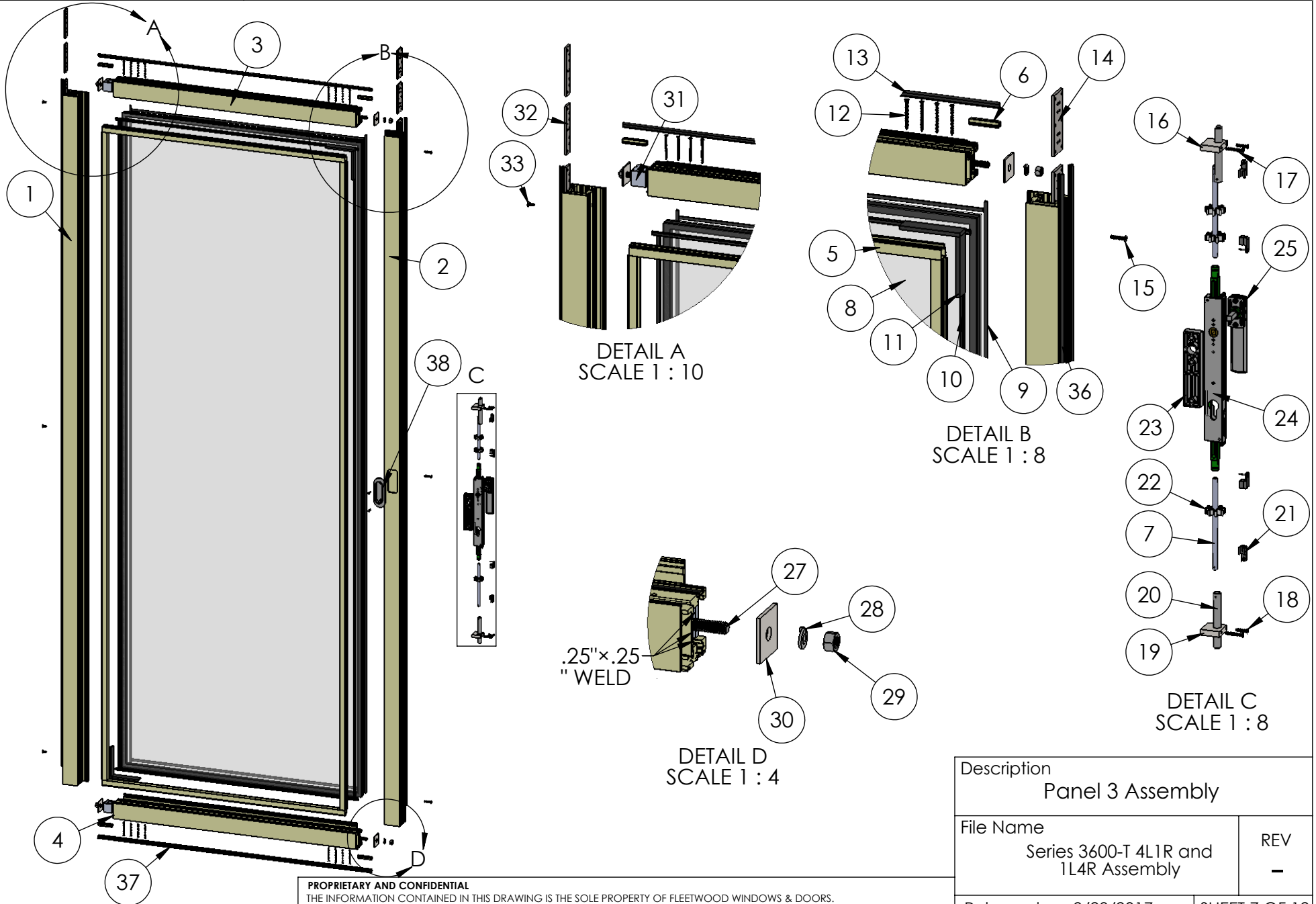
Hardware			
ITEM NO.	PART NUMBER	DESCRIPTION	QTY.
19	3906	Corner Block	4
20	25668	.375-16 Hex Head Cap Screw, 1.625"	4
21	25024	.375 Split Lock Washer	4
22	25023	.375-16 Stainless Steel Hex Nut	4
23	25573	Back up Plate Corner Block	4
24	25683	Foam Seal	1
25	25199	Mini Bulb Vinyl	2
26	25031	Bulb Vinyl Large	2
27	3907	1" Glass Stop (Shown)	2

Description Panel 2 B.O.M.	
File Name Series 3600-T 4L1R and 1L4R Assembly	REV
Released 9/28/2017	SHEET 6 OF 12

PROPRIETARY AND CONFIDENTIAL

THE INFORMATION CONTAINED IN THIS DRAWING IS THE SOLE PROPERTY OF FLEETWOOD WINDOWS & DOORS.
ANY REPRODUCTION IN PART OR AS A WHOLE WITHOUT THE WRITTEN PERMISSION OF FLEETWOOD WINDOWS & DOORS IS PROHIBITED.

ASSEMBLY / PARTS LIST (B.O.M.)



PROPRIETARY AND CONFIDENTIAL
THE INFORMATION CONTAINED IN THIS DRAWING IS THE SOLE PROPERTY OF FLEETWOOD WINDOWS & DOORS.
ANY REPRODUCTION IN PART OR AS A WHOLE WITHOUT THE WRITTEN PERMISSION OF FLEETWOOD WINDOWS & DOORS IS PROHIBITED.

Description Panel 3 Assembly	
File Name Series 3600-T 4L1R and 1L4R Assembly	REV -
Released 9/28/2017	SHEET 7 OF 12



ASSEMBLY / PARTS LIST (B.O.M.)

Extrusions			
ITEM NO.	PART NUMBER	DESCRIPTION	QTY.
1	3604	Left Stile	1
2	3604	Right Stile	1
3	3604	Top Rail	1
4	3604	Bottom Rail	1
5	3907	1" Glass Stop (Shown)	2
6	3916	Seal Clip	4
7	FW1203	Aluminum Rod	2

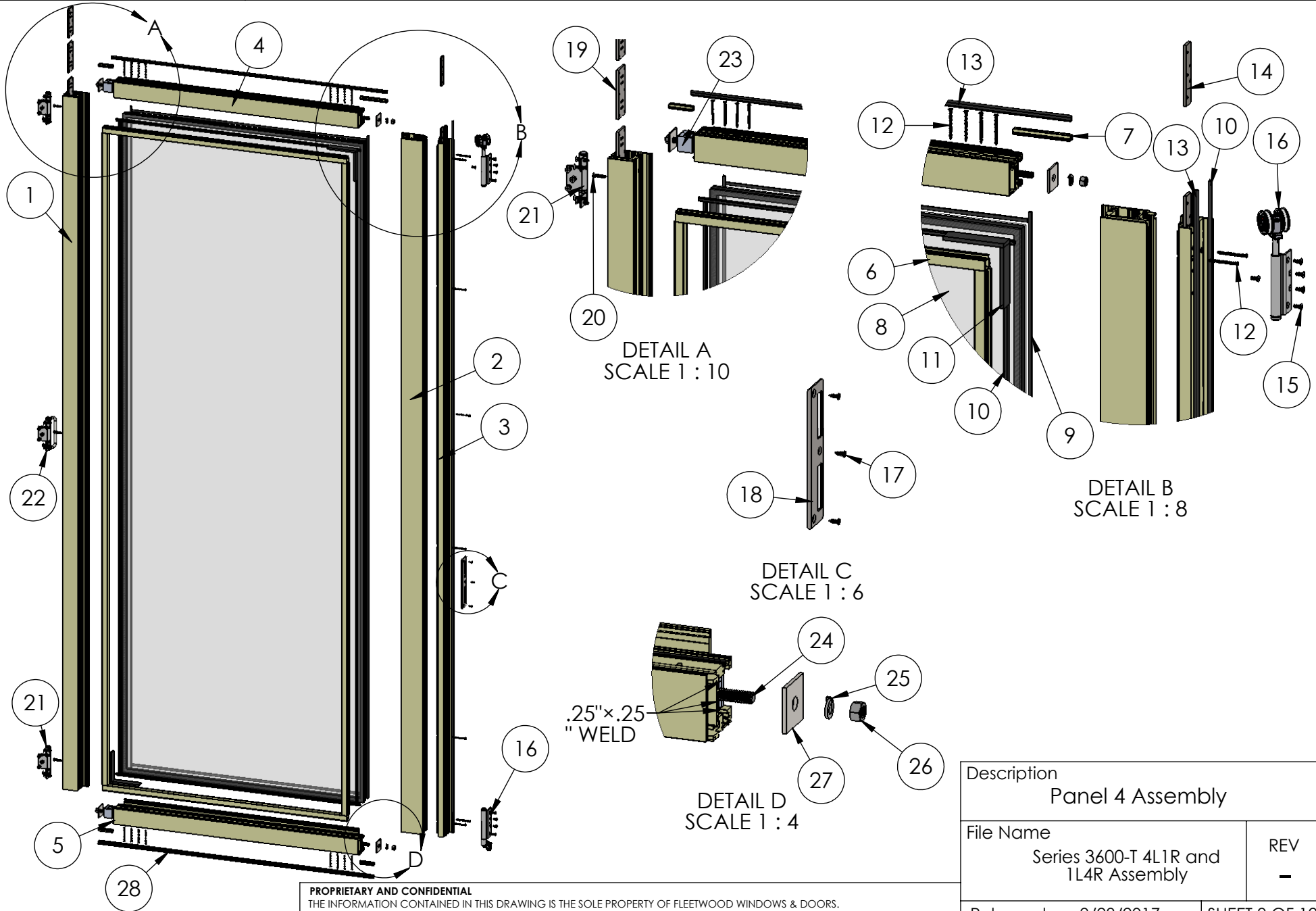
Hardware			
ITEM NO.	PART NUMBER	DESCRIPTION	QTY.
8	IG Glass	Glass	1
9	25199	Mini Bulb Vinyl	4
10	25031	Bulb Vinyl-Large	4
11	18620	Setting Block	4
12	20258	#8 FHP Screw, 2"	16
13	25058	Q-Lon Foam Seal (at Head)	1
14	25586	Hinge Back Up Plate	3
15	25488,25489	#10-32 FH Torx Screw, 1", Size T25 (Clear, Black)	3
16	25587	Top Shoot Bolt Guide	1
17	25343	#8-32 FHP Screw, 1.125"	2
18	25760	#8-32 FHP SCrew, .75"	2
19	25588	Bottom Shoot Bolt Guide	1
20	25663	Shoot Bolt Ends (part of a kit)	2
21	25663	Locking Pins (part of a kit)	4
22	25566	Shoot Bolt Rod Guide	3
23	25665	Plastic Lock Spacer (In-swing only)	1
24	25662	DPL Lock Body	1
25	25656,25657	DPL Non-Locking Handle	1
26	3907	1" Glass Stop (Shown)	2
27	25668	.375-16 Hex Head Cap Screw, 1.625"	4
28	25024	.375 Split Lock Washer	4

Hardware			
ITEM NO.	PART NUMBER	DESCRIPTION	QTY.
29	25023	.375-16 Stainless Steel Hex Nut	4
30	25573	Back up Plate Corner Block	4
31	3906	Corner Block	4
32	25584	Hinge Back Up Plate Intermediate Carrier	3
33	25486,25487	#10-32 FH Torx Screw, 0.5", Size T25 (Clear, Black)	3
34	25199	Mini Bulb Vinyl	2
35	25031	Bulb Vinyl Large	2
36	25059	Q-Lon Foam Seal	3
37	25683	Foam Seal	1
38	25654	Flush Pull with screws (in-swing only)	1

Description Panel 3 B.O.M.	
File Name Series 3600-T 4L1R and 1L4R Assembly	REV -
Released 9/28/2017	SHEET 8 OF 12

PROPRIETARY AND CONFIDENTIAL
 THE INFORMATION CONTAINED IN THIS DRAWING IS THE SOLE PROPERTY OF FLEETWOOD WINDOWS & DOORS.
 ANY REPRODUCTION IN PART OR AS A WHOLE WITHOUT THE WRITTEN PERMISSION OF FLEETWOOD WINDOWS & DOORS IS PROHIBITED.

ASSEMBLY / PARTS LIST (B.O.M.)



PROPRIETARY AND CONFIDENTIAL
THE INFORMATION CONTAINED IN THIS DRAWING IS THE SOLE PROPERTY OF FLEETWOOD WINDOWS & DOORS.
ANY REPRODUCTION IN PART OR AS A WHOLE WITHOUT THE WRITTEN PERMISSION OF FLEETWOOD WINDOWS & DOORS IS PROHIBITED.

Description		Panel 4 Assembly
File Name	Series 3600-T 4L1R and 1L4R Assembly	REV -
Released	9/28/2017	SHEET 9 OF 12



ASSEMBLY / PARTS LIST (B.O.M.)

Extrusions			
ITEM NO.	PART NUMBER	DESCRIPTION	QTY.
1	3604	Left Stile	1
2	3205	Lock Stile	1
3	3206	Astragal	1
4	3604	Top Rail	1
5	3604	Bottom Rail	1
6	3907	1" Glass Stop (Shown)	4
7	3916	Seal Clip	4

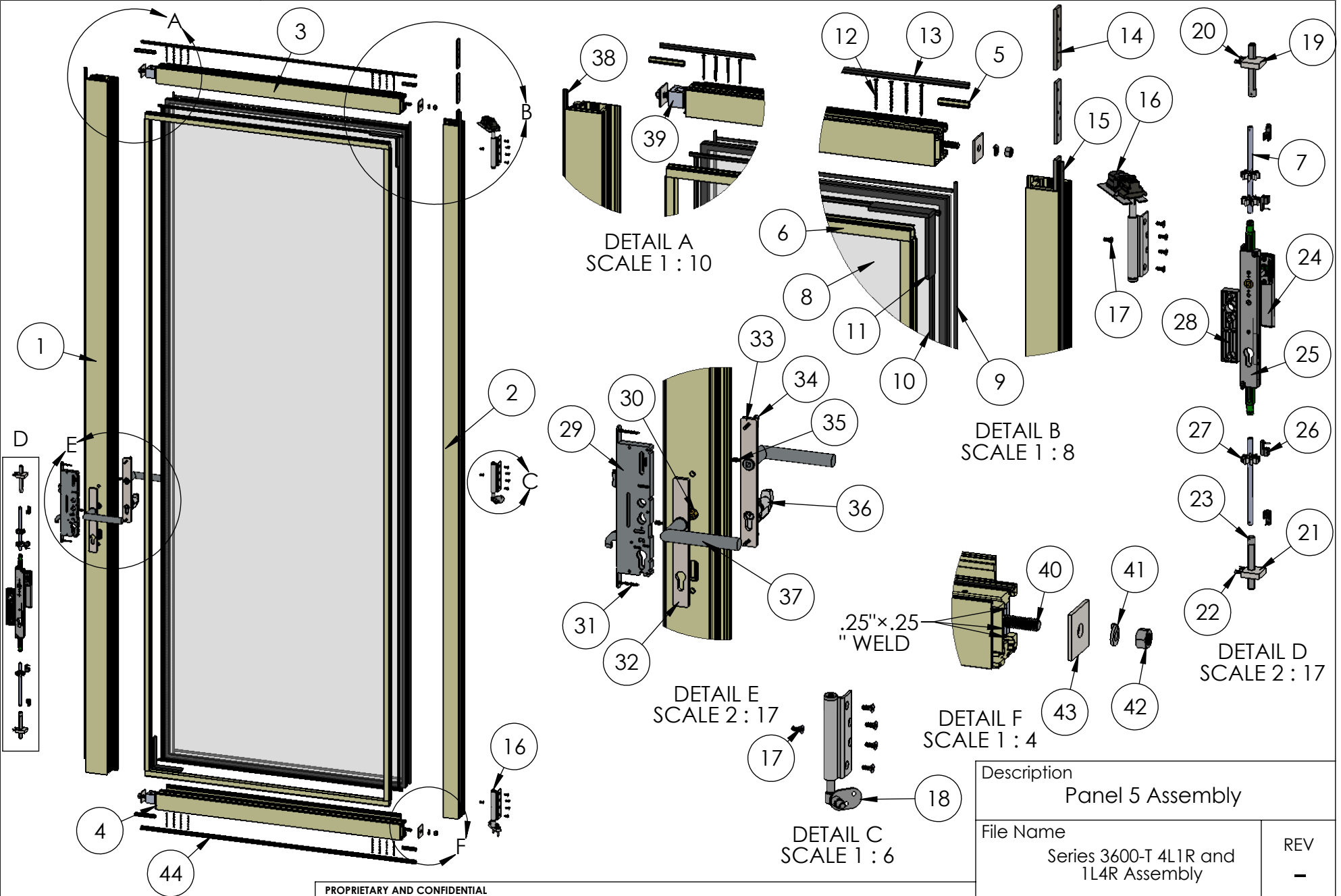
Hardware			
ITEM NO.	PART NUMBER	DESCRIPTION	QTY.
8	IG Glass	Glass	1
9	25199	Mini Bulb Vinyl	5
10	25031	Bulb Vinyl-Large	4
11	18620	Setting Block 4" x 1/4"x1"	4
12	20258	#8 FHP Screw, 2"	24
13	25058	Q-Lon Foam Seal (at Head)	1
14	25582	Hinge Back Up Plate	2
15	25486,25487	#10-32 FH Torx Screw, 0.5", Size T25 (Clear, Black)	10
16	25642,25643	End Hanger Top	1
17	20240	#8 FHP-A-UC, 1/2", Clear	3
18	24993	Latch-Deadbolt Strike Plate	1
19	25586	Hinge Back Up Plate	3
20	25488,25489	#10-32 FH Torx Screw, 1", Size T25 (Clear, Black)	24
21	25652,25653	Hinge Handle Offset	2
22	25652,25653	Hinge Handle Offset middle	1
23	3906	Corner Block	4
24	25668	.375-16 Hex Head Cap Screw, 1.625"	4
25	25024	.375 Split Lock Washer	4

Hardware			
ITEM NO.	PART NUMBER	DESCRIPTION	QTY.
26	25023	.375-16 Stainless Steel Hex Nut	4
27	25573	Back up Plate Corner Block	4
28	25683	Foam Seal	1

Description Panel 4 B.O.M.	
File Name Series 3600-T 4L1R and 1L4R Assembly	REV -
Released 9/28/2017	SHEET 10 OF 12

PROPRIETARY AND CONFIDENTIAL
 THE INFORMATION CONTAINED IN THIS DRAWING IS THE SOLE PROPERTY OF FLEETWOOD WINDOWS & DOORS.
 ANY REPRODUCTION IN PART OR AS A WHOLE WITHOUT THE WRITTEN PERMISSION OF FLEETWOOD WINDOWS & DOORS IS PROHIBITED.

ASSEMBLY / PARTS LIST (B.O.M.)



PROPRIETARY AND CONFIDENTIAL
THE INFORMATION CONTAINED IN THIS DRAWING IS THE SOLE PROPERTY OF FLEETWOOD WINDOWS & DOORS.
ANY REPRODUCTION IN PART OR AS A WHOLE WITHOUT THE WRITTEN PERMISSION OF FLEETWOOD WINDOWS & DOORS IS PROHIBITED.

Description		Panel 5 Assembly	
File Name		Series 3600-T 4L1R and 1L4R Assembly	REV -
Released	9/28/2017	SHEET 11 OF 12	



ASSEMBLY / PARTS LIST (B.O.M.)

Extrusions			
ITEM NO.	PART NUMBER	DESCRIPTION	QTY.
1	3205	Sash - Lock Stile	1
2	3604	Right Stile	1
3	3604	Top Rail	1
4	3604	Bottom Rail	1
5	3916	Seal Clip	4
6	3907	1" Glass Stop (Shown)	2
7	FW1203	Aluminum Rod	2

Hardware			
ITEM NO.	PART NUMBER	DESCRIPTION	QTY.
8	IG Glass	Glass	1
9	25199	Mini Bulb Vinyl	4
10	25031	Bulb Vinyl-Large	4
11	18620	Setting Block 4" x 1/4"x1"	4
12	20258	#8 FHP Screw, 2"	16
13	25058	Q-Lon Foam Seal (at Head)	1
14	25582	Hinge Back Up Plate	3
15	25059	Q-Lon Foam Seal	1
16	25638,25639	Pivot Set (S.S., Black)	1
17	25486,25487	#10-32 FH Torx Screw, 0.5", Size T25 (Clear, Black)	15
18	25640,25641	Jamb Pivot (S.S., Black)	1
19	26044	Top Shoot Bolt Guide	1
20	25760	#8-32 FHP Screw, .75 in.	2
21	26045	Bottom Shoot Bolt Guide	1
22	25343	#8-32 FHP Screw, 1.125 in	2
23	25663	Shoot Bolt Ends (part of a kit)	2
24	25656,25657	DPL Non-Locking Handle	1
25	25662	DPL Lock Body	1

Hardware			
ITEM NO.	PART NUMBER	DESCRIPTION	QTY.
26	25663	Locking Pins (part of a kit)	4
27	25566	Shoot Bolt Rod Guide	3
28	25665	Plastic Lock Spacer (In-swing only)	1
29	25758	Yale Latch	1
30	23203	Spindle	1
31	20252	Flat Head Phillips Sheet Metal Screw No 8 Size, 1.5"	2
32	25207	Escutcheon-Active,Exterior-1	1
33	25207	Escutcheon-Active, Interior-2	1
34	25342	#10-32 FHP Screw, 2.25"	2
35	(Shipped with Handle)	Socket Set Screw .250-20, .375"	2
36	23204	FSB Cylinder for Active	1
37	23654	FSB_1076 Lever (Default)	2
38	25058	Q-Lon Foam Seal	1
39	3906	Corner Block	4
40	25668	.375-16 Hex Head Cap Screw, 1.625"	4
41	25024	.375 Split Lock Washer	4
42	25023	.375-16 Stainless Steel Hex Nut	4
43	25573	Back up Plate Corner Block	4
44	25683	Foam Seal	1

Description Panel 5 B.O.M.	
File Name Series 3600-T 4L1R and 1L4R Assembly	REV -
Released	9/28/2017
SHEET 12 OF 12	

PROPRIETARY AND CONFIDENTIAL
 THE INFORMATION CONTAINED IN THIS DRAWING IS THE SOLE PROPERTY OF FLEETWOOD WINDOWS & DOORS.
 ANY REPRODUCTION IN PART OR AS A WHOLE WITHOUT THE WRITTEN PERMISSION OF FLEETWOOD WINDOWS & DOORS IS PROHIBITED.