

ASSEMBLY / PARTS LIST (B.O.M.)

Series: 3600-T
Type: 2L1R and 1L2R Configuration

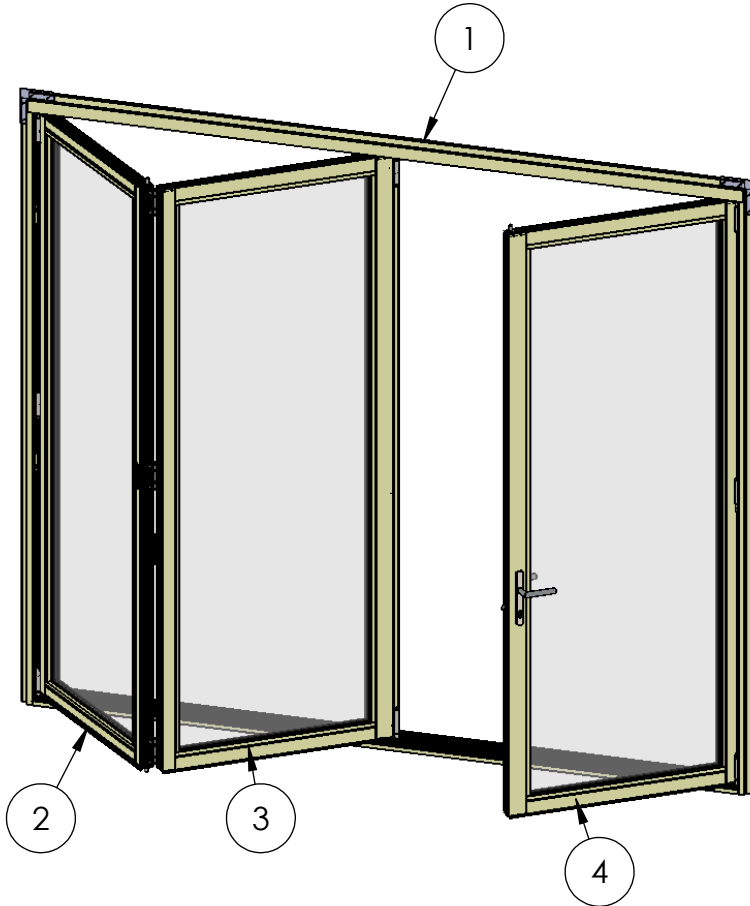
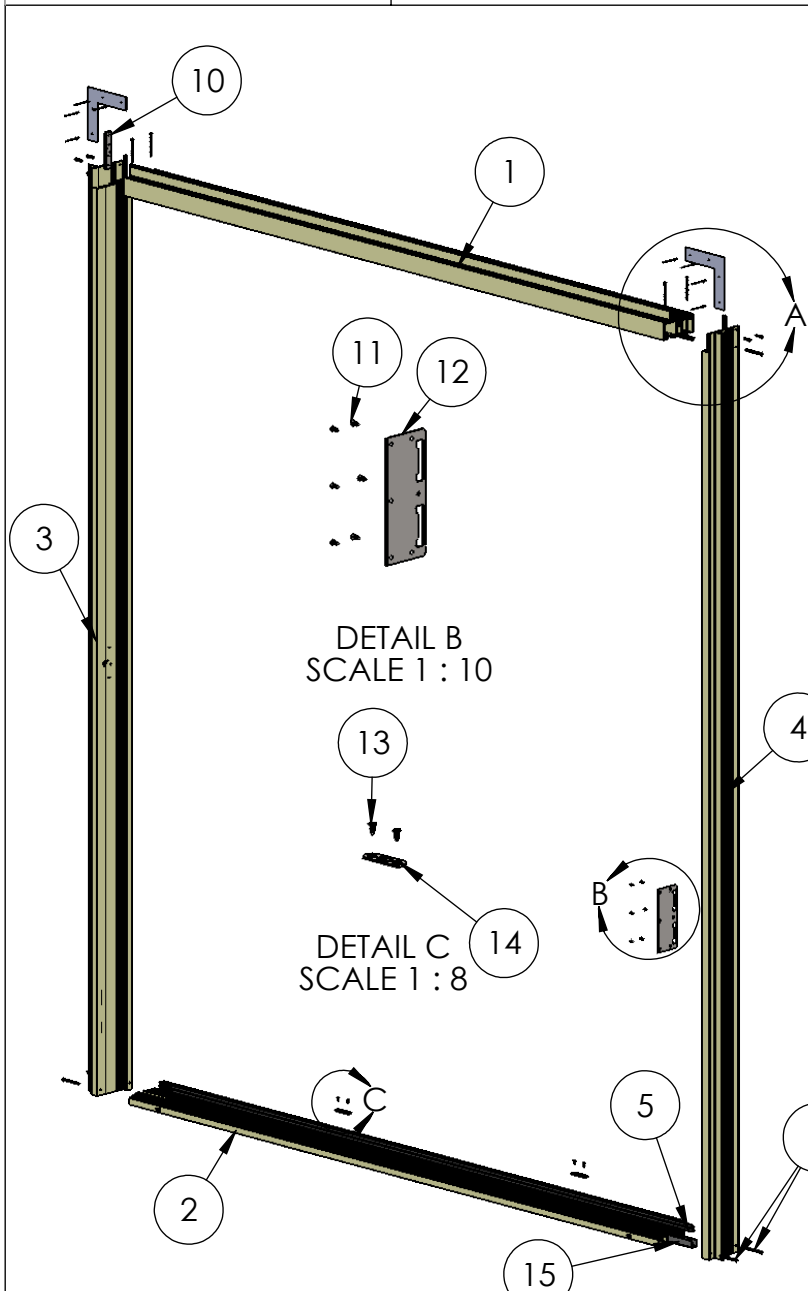


TABLE OF CONTENTS			
ITEM NO.	PART NUMBER	QTY.	PAGE #
1	Frame Assembly	1	2
2	Panel 1 Assembly	1	3-4
3	Panel 2 Assembly	1	5-6
4	Panel 3 Assembly	1	7-8

- NOTES:**
- 2L1R Configuration shown
 - Out-Swing Door shown
 - Relative to the exterior, numbering of panels is from left to right.
 - Flush pulls on in-swing only.

Description Table of Contents	
File Name Series 3600-T 2L1R and 1L2R Assembly	REV -
Released 9/28/2017	SHEET 1 OF 8

ASSEMBLY / PARTS LIST (B.O.M.)



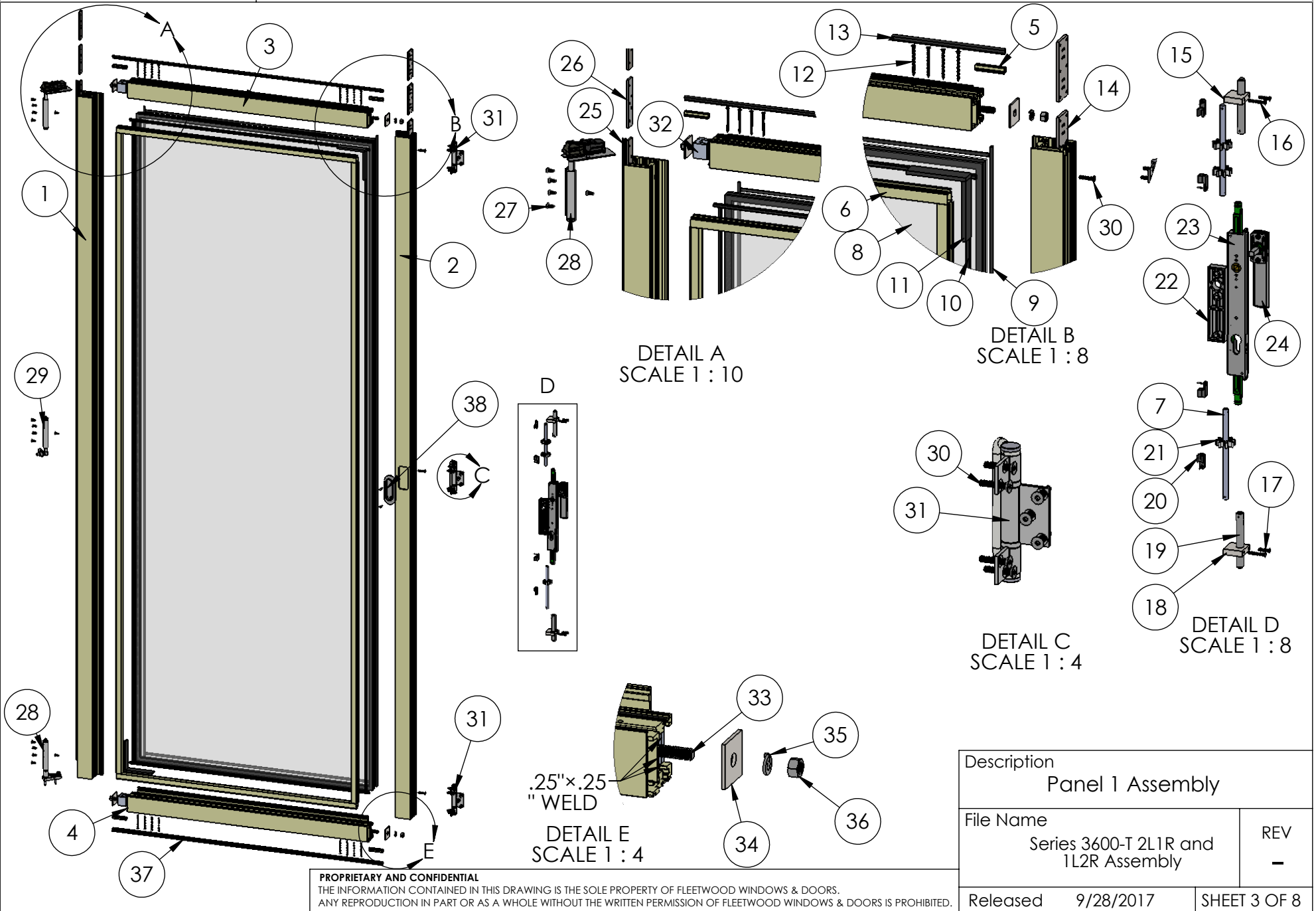
EXTRUSIONS			
ITEM NO.	PART NUMBER	DESCRIPTION	QTY.
1	3601	Head	1
2	3602	Sill	1
3	3603	Left Jamb	1
4	3603	Right Jamb	1

HARDWARE			
ITEM NO.	PART NUMBER	DESCRIPTION	QTY.
5	25059	Q-Lon Foam Seal	5
6	25075	#10 PHP Screw, 2.5 In	10
7	20350	#10 PHP Screw, 1 in.	4
8	18629	Nail-Fin Corner (For Nail-Fin Door)	2
9	25504	Pop Rivet	8
10	25585	Jamb Hinge Back Up Plate	1
11	20240	#8 FHP - A - UC, 1/2", SS, Clear	6
12	25590	Latch-Deadbolt Strike Plate	1
13	20275	#10 FHP-A-UC Screw, .5 in., Clear	4
14	25663	Shoot Bolt Strike Plate (part of a kit)	2
15	25685	Polypropylene Channel	1

Description Frame Assembly/B.O.M.	
File Name Series 3600-T 2L1R and 1L2R Assembly	REV -
Released 9/28/2017	SHEET 2 OF 8

PROPRIETARY AND CONFIDENTIAL
THE INFORMATION CONTAINED IN THIS DRAWING IS THE SOLE PROPERTY OF FLEETWOOD WINDOWS & DOORS.
ANY REPRODUCTION IN PART OR AS A WHOLE WITHOUT THE WRITTEN PERMISSION OF FLEETWOOD WINDOWS & DOORS IS PROHIBITED.

ASSEMBLY / PARTS LIST (B.O.M.)



PROPRIETARY AND CONFIDENTIAL
THE INFORMATION CONTAINED IN THIS DRAWING IS THE SOLE PROPERTY OF FLEETWOOD WINDOWS & DOORS.
ANY REPRODUCTION IN PART OR AS A WHOLE WITHOUT THE WRITTEN PERMISSION OF FLEETWOOD WINDOWS & DOORS IS PROHIBITED.

Description Panel 1 Assembly	
File Name Series 3600-T 2L1R and 1L2R Assembly	REV -
Released 9/28/2017	SHEET 3 OF 8

ASSEMBLY / PARTS LIST (B.O.M.)

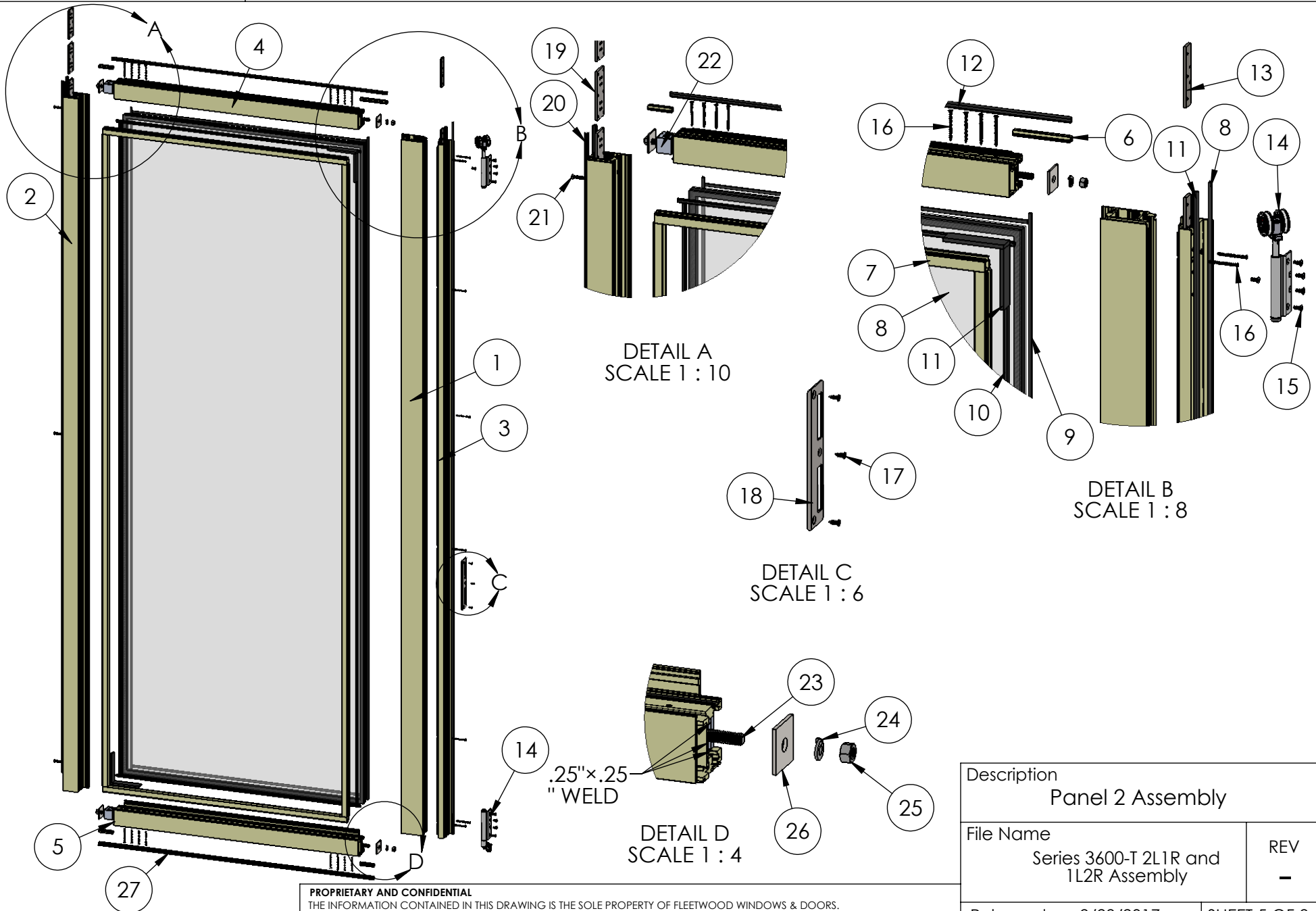
Extrusions				Hardware			
ITEM NO.	PART NUMBER	DESCRIPTION	QTY.	ITEM NO.	PART NUMBER	DESCRIPTION	QTY.
1	3604	Left Stile	1	26	25582	Hinge Back Up Plate	3
2	3604	Right Stile	1	27	25486,25487	#10-32 FH Torx Screw, 0.5", Size T25 (Clear, Black)	15
3	3604	Top Rail	1	28	25638,25639	Pivot Set (S.S., Black)	1
4	3604	Bottom Rail	1	29	25640,25641	Jamb Pivot (S.S., Black)	1
5	3916	Seal Clip	4	30	25488,25489	#10-32 FH Torx Screw, 1", Size T25 (Clear, Black)	24
6	3907	1" Glass Stop (Shown)	4	31	25646,25647, 25648,25649	Hinge Handle Set (S.S., Black) Hinge Set (in-swing only) (S.S., Black)	1
7	FW1203	Aluminum Rod	2	32	25571	Corner Block	4
Hardware				33	25668	.375-16 Hex Head Cap Screw, 1.625"	4
ITEM NO.	PART NUMBER	DESCRIPTION	QTY.	34	25573	Back up Plate Corner Block	4
8	IG Glass	Glass	1	35	25024	.375 Split Lock Washer	4
9	25199	Mini Bulb Vinyl	4	36	25023	.375-16 Stainless Steel Hex Nut	4
10	25031	Bulb Vinyl-Large	2	37	25683	Foam Seal	1
11	18620	Setting Block	4	38	25654	Flush Pull with screws (in-swing only)	1
12	20258	#8 FHP Screw, 2"	16				
13	25058	Q-Lon Foam Seal (at Head)	1				
14	25586	Hinge Back Up Plate	3				
15	25587	Top Shoot Bolt Guide	1				
16	25343	#8-32 FHP Screw, 1.125"	2				
17	25760	#8-32 FHP SCrew, .75"	2				
18	25588	Bottom Shoot Bolt Guide	1				
19	25663	Shoot Bolt Ends (part of a kit)	2				
20	25663	Locking Pins (part of a kit)	4				
21	25566	Shoot Bolt Rod Guide	3				
22	25665	Plastic Lock Spacer (In-swing only)	1				
23	25662	DPL Lock Body	1				
24	25656,25657	DPL Non-Locking Handle	1				
25	25059	Q-Lon Foam Seal	1				

PROPRIETARY AND CONFIDENTIAL

THE INFORMATION CONTAINED IN THIS DRAWING IS THE SOLE PROPERTY OF FLEETWOOD WINDOWS & DOORS.
ANY REPRODUCTION IN PART OR AS A WHOLE WITHOUT THE WRITTEN PERMISSION OF FLEETWOOD WINDOWS & DOORS IS PROHIBITED.

Description Panel 1 B.O.M.	
File Name Series 3600-T 2L1R and 1L2R Assembly	REV -
Released 9/28/2017	SHEET 4 OF 8

ASSEMBLY / PARTS LIST (B.O.M.)



PROPRIETARY AND CONFIDENTIAL
THE INFORMATION CONTAINED IN THIS DRAWING IS THE SOLE PROPERTY OF FLEETWOOD WINDOWS & DOORS.
ANY REPRODUCTION IN PART OR AS A WHOLE WITHOUT THE WRITTEN PERMISSION OF FLEETWOOD WINDOWS & DOORS IS PROHIBITED.

Description Panel 2 Assembly	
File Name Series 3600-T 2L1R and 1L2R Assembly	REV -
Released	9/28/2017
SHEET 5 OF 8	

ASSEMBLY / PARTS LIST (B.O.M.)

Extrusions

ITEM NO.	PART NUMBER	DESCRIPTION	QTY.
1	3205	Sash - Lock Stile	1
2	3604	Left Stile	1
3	3206	Astragal	1
4	3604	Top Rail	1
5	3604	Bottom Rail	1
6	3916	Seal Clip	4
7	3907	1" Glass Stop (Shown)	4

Hardware

ITEM NO.	PART NUMBER	DESCRIPTION	QTY.
8	IG Glass	Glass	1
9	25199	Mini Bulb Vinyl	5
10	25031	Bulb Vinyl-Large	4
11	18620	Setting Block 4" x 1/4"x1"	4
12	25058	Q-Lon Foam Seal (at Head and Astragal)	2
13	25582	Hinge Back Up Plate	2
14	25642,25643	End Hanger Set (S.S., Black)	1
15	25486,25487	#10-32 FH Torx Screw, 0.5", Size T25 (Clear, Black)	10
16	20258	#8 FHP Screw, 2"	24
17	20240	#8 FHP - A - UC, 0.5", SS, Clear	3
18	24993	Latch-Deadbolt Strike Plate	1
19	25586	Hinge Back Up Plate	3
20	25059	Q-Lon Foam Seal	2
21	25488,25489	#10-32 FH Torx Screw, 1", Size T25 (Clear, Black)	3
22	25571	Corner Block	4
23	25668	.375-16 Hex Head Cap Screw, 1.625"	4
24	25024	.375 Split Lock Washer	4
25	25023	.375-16 Stainless Steel Hex Nut	4
26	25573	Back up Plate Corner Block	4
27	25683	Foam Seal	1

PROPRIETARY AND CONFIDENTIAL

THE INFORMATION CONTAINED IN THIS DRAWING IS THE SOLE PROPERTY OF FLEETWOOD WINDOWS & DOORS.
ANY REPRODUCTION IN PART OR AS A WHOLE WITHOUT THE WRITTEN PERMISSION OF FLEETWOOD WINDOWS & DOORS IS PROHIBITED.

Description

Panel 2 B.O.M.

File Name

Series 3600-T 2L1R and
1L2R Assembly

REV

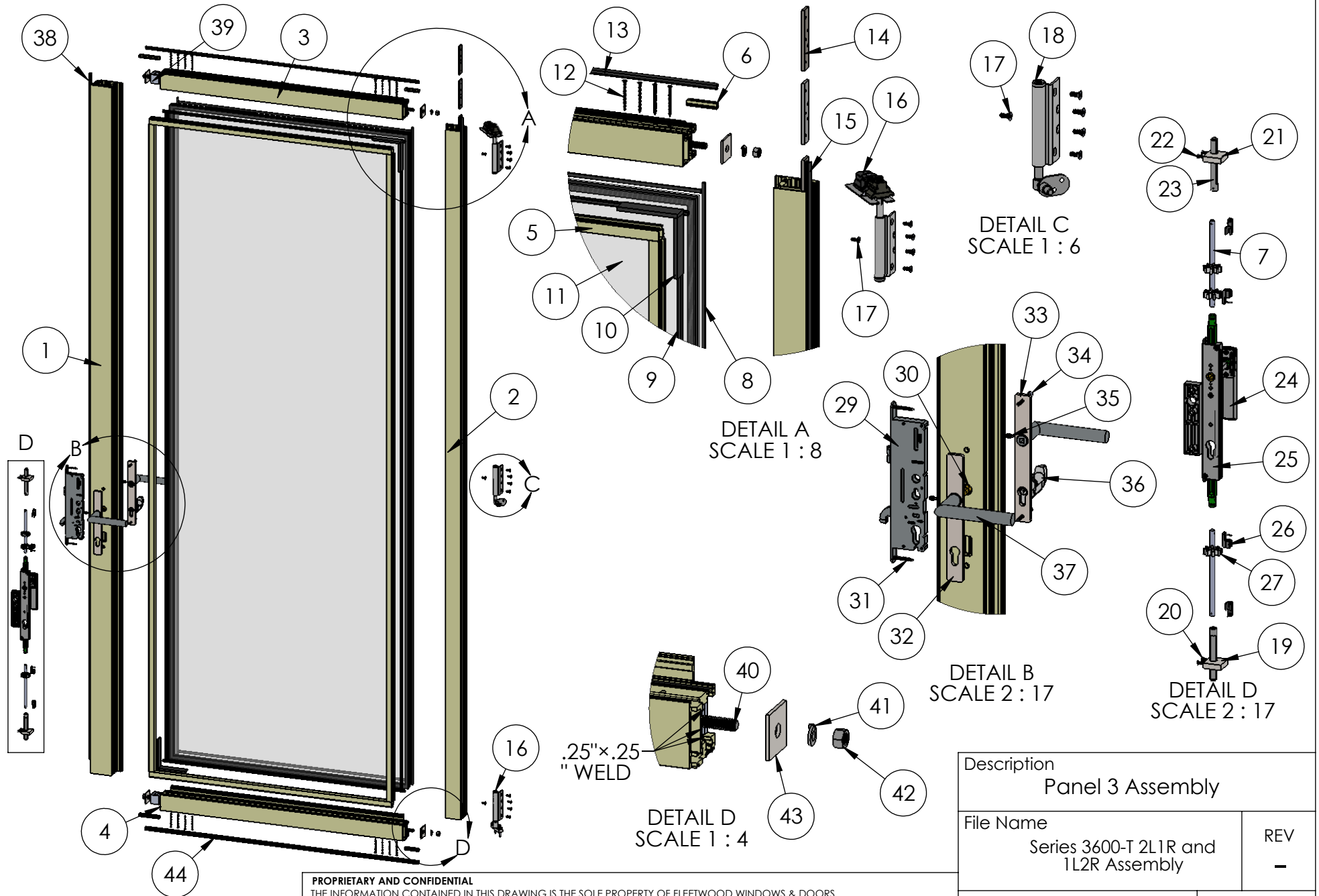
-

Released

9/28/2017

SHEET 6 OF 8

ASSEMBLY / PARTS LIST (B.O.M.)



PROPRIETARY AND CONFIDENTIAL
THE INFORMATION CONTAINED IN THIS DRAWING IS THE SOLE PROPERTY OF FLEETWOOD WINDOWS & DOORS.
ANY REPRODUCTION IN PART OR AS A WHOLE WITHOUT THE WRITTEN PERMISSION OF FLEETWOOD WINDOWS & DOORS IS PROHIBITED.

Description Panel 3 Assembly	
File Name Series 3600-T 2L1R and 1L2R Assembly	REV -
Released 9/28/2017	SHEET 7 OF 8



ASSEMBLY / PARTS LIST (B.O.M.)

Extrusions			
ITEM NO.	PART NUMBER	DESCRIPTION	QTY.
1	3205	Sash - Lock Stile	1
2	3604	Right Stile	1
3	3604	Top Rail	1
4	3604	Bottom Rail	1
5	3907	1" Glass Stop (Shown)	2
6	3916	Seal Clip	4
7	FW1203	Aluminum Rod	2

Hardware			
ITEM NO.	PART NUMBER	DESCRIPTION	QTY.
8	25199	Mini Bulb Vinyl	4
9	25031	Bulb Vinyl-Large	4
10	18620	Setting Block 4" x 1/4"x1"	4
11	IG Glass	Glass	1
12	20258	#8 FHP Screw, 2"	16
13	25058	Q-Lon Foam Seal (at Head)	1
14	25582	Hinge Back Up Plate	3
15	25059	Q-Lon Foam Seal	1
16	25638,25639	Pivot Set (S.S., Black)	1
17	25486,25487	#10-32 FH Torx Screw, 0.5", Size T25 (Clear, Black)	15
18	25640,25641	Jamb Pivot (S.S., Black)	1
19	26045	Bottom Shoot Bolt Guide	1
20	25760	#8-32 FHP Screw, .75 in.	2
21	26044	Top Shoot Bolt Guide	1
22	25343	#8-32 FHP Screw, 1.125 in	2
23	25663	Shoot Bolt Ends (part of a kit)	2
24	25656,25657	DPL Non-Locking Handle	1
25	25662	DPL Lock Body	1
26	25663	Locking Pins (part of a kit)	4
27	25566	Shoot Bolt Rod Guide	3
28	25665	Plastic Lock Spacer (In-swing only)	1

Hardware			
ITEM NO.	PART NUMBER	DESCRIPTION	QTY.
29	25758	Yale Latch	1
30	23203	Spindle	1
31	20252	Flat Head Phillips Sheet Metal Screw No 8 Size, 1.5"	2
32	25207	Escutcheon-Active,Exterior-1	1
33	25207	Escutcheon-Active, Interior-2	1
34	25342	#10-32 FHP Screw, 2.25"	2
35	(Shipped with Handle)	Socket Set Screw .250-20, .375"	2
36	23204	FSB Cylinder for Active	1
37	23654	FSB_1076 Lever (Default)	2
38	25058	Q-Lon Foam Seal	1
39	25571	Corner Block	4
40	25668	.375-16 Hex Head Cap Screw, 1.625"	4
41	25024	.375 Split Lock Washer	4
42	25023	.375-16 Stainless Steel Hex Nut	4
43	25573	Back up Plate Corner Block	4
44	25683	Foam Seal	1

Description Panel 3 B.O.M.	
File Name Series 3600-T 2L1R and 1L2R Assembly	REV -
Released 9/28/2017	SHEET 8 OF 8

PROPRIETARY AND CONFIDENTIAL
 THE INFORMATION CONTAINED IN THIS DRAWING IS THE SOLE PROPERTY OF FLEETWOOD WINDOWS & DOORS.
 ANY REPRODUCTION IN PART OR AS A WHOLE WITHOUT THE WRITTEN PERMISSION OF FLEETWOOD WINDOWS & DOORS IS PROHIBITED.