

ASSEMBLY / PARTS LIST (B.O.M.)

Series: 3600-T
Type: 2L and 2R Configuration

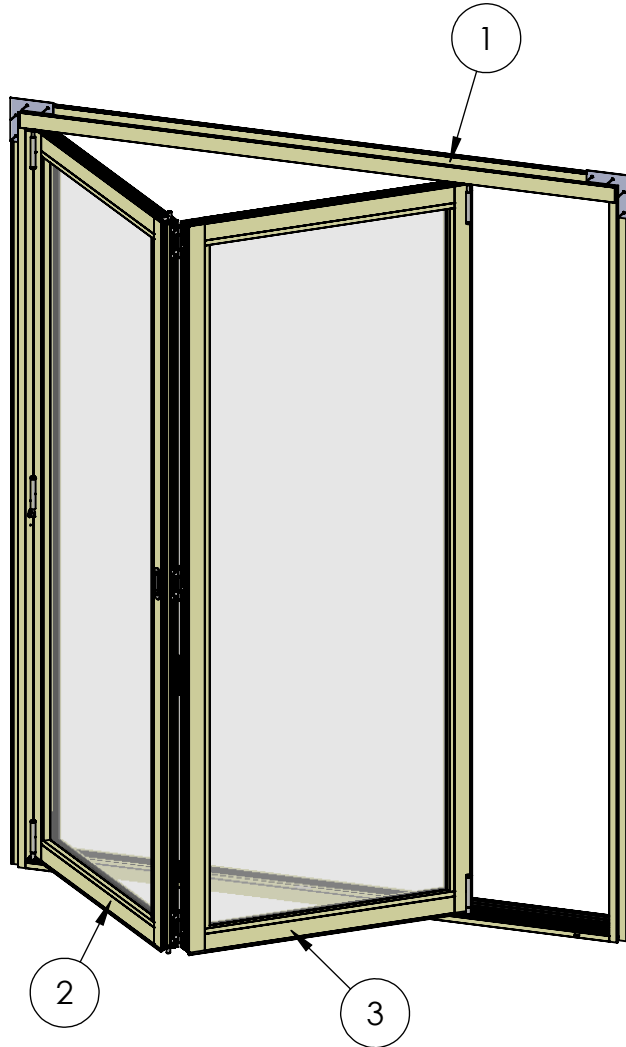


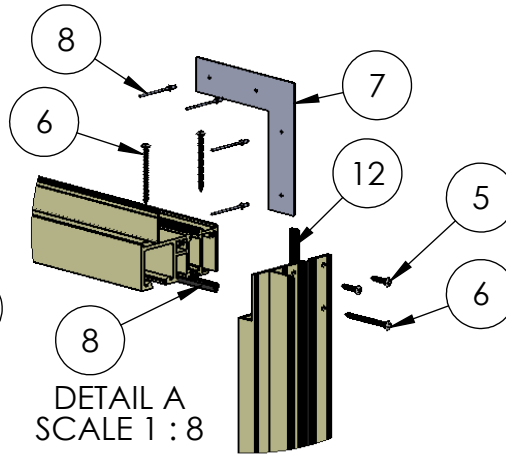
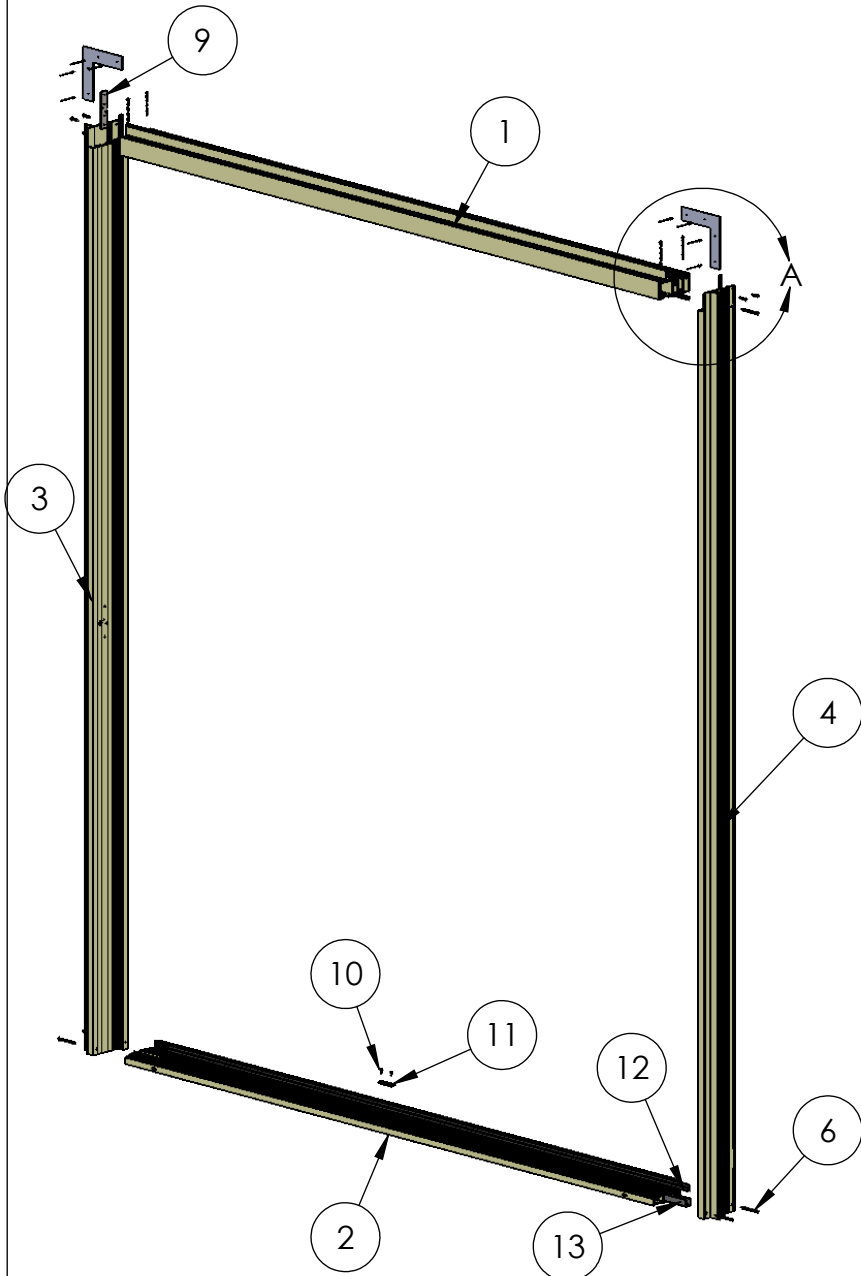
TABLE OF CONTENTS			
ITEM NO.	DESCRIPTION	QTY.	PAGE #
1	Frame Assembly	1	2
2	Panel 1 Assembly	1	3-4
3	Panel 2 Assembly	1	5-6

- NOTES:**
- 2L Configuration shown
 - Out-Swing Door shown
 - Relative to the exterior, numbering of panels is from left to right.
 - Flush pulls on in-swing only.

PROPRIETARY AND CONFIDENTIAL
 THE INFORMATION CONTAINED IN THIS DRAWING IS THE SOLE PROPERTY OF FLEETWOOD WINDOWS & DOORS.
 ANY REPRODUCTION IN PART OR AS A WHOLE WITHOUT THE WRITTEN PERMISSION OF FLEETWOOD WINDOWS & DOORS IS PROHIBITED.

Description Table of Contents	
File Name Series 3600-T 2L and 2R Assembly	REV -
Released 9/28/2017	SHEET 1 OF 6

ASSEMBLY / PARTS LIST (B.O.M.)

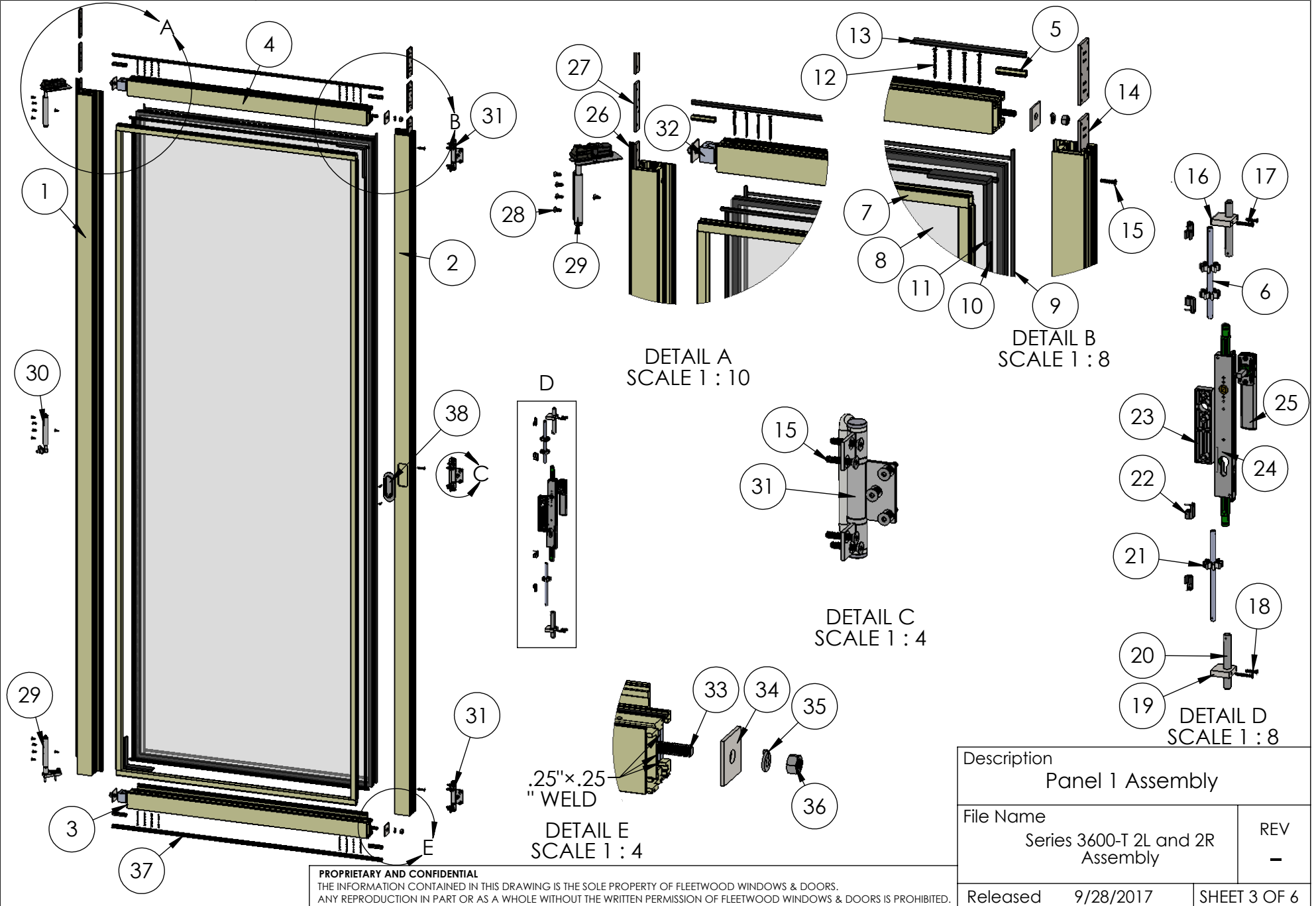


EXTRUSIONS			
ITEM NO.	PART NUMBER	DESCRIPTION	QTY.
1	3601	Head	1
2	3602	Sill	1
3	3603	Left Jamb	1
4	3603	Right Jamb	1
HARDWARE			
ITEM NO.	PART NUMBER	DESCRIPTION	QTY.
5	20350	#10 PHP Screw, 1 in.	4
6	25075	#10 PHP Screw, 2.5 In	10
7	18629	Nail-Fin Corner (For Nail-Fin Door)	2
8	25504	Pop Rivet	8
9	25585	Jamb Hinge Back Up Plate	1
10	20275	#10 FHP-A-UC Screw, .5 in., Clear	2
11	25663	Shoot Bolt Strike Plate (part of a kit)	1
12	25059	Q-Lon Foam Seal	5
13	25685	Polypropylene Channel	1

PROPRIETARY AND CONFIDENTIAL
THE INFORMATION CONTAINED IN THIS DRAWING IS THE SOLE PROPERTY OF FLEETWOOD WINDOWS & DOORS.
ANY REPRODUCTION IN PART OR AS A WHOLE WITHOUT THE WRITTEN PERMISSION OF FLEETWOOD WINDOWS & DOORS IS PROHIBITED.

Description Frame Assembly/B.O.M.	
File Name Series 3600-T 2L and 2R Assembly	REV -
Released	9/28/2017
SHEET 2 OF 6	

ASSEMBLY / PARTS LIST (B.O.M.)



PROPRIETARY AND CONFIDENTIAL
THE INFORMATION CONTAINED IN THIS DRAWING IS THE SOLE PROPERTY OF FLEETWOOD WINDOWS & DOORS.
ANY REPRODUCTION IN PART OR AS A WHOLE WITHOUT THE WRITTEN PERMISSION OF FLEETWOOD WINDOWS & DOORS IS PROHIBITED.

Description	
Panel 1 Assembly	
File Name	REV
Series 3600-T 2L and 2R Assembly	-
Released	SHEET 3 OF 6
9/28/2017	

ASSEMBLY / PARTS LIST (B.O.M.)

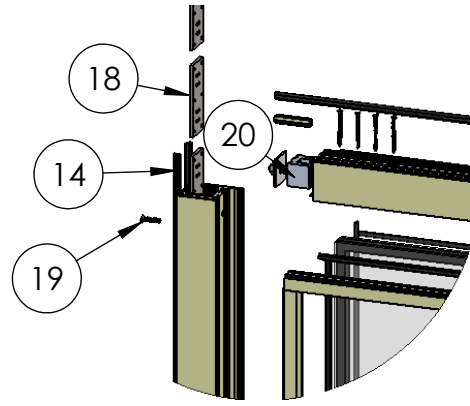
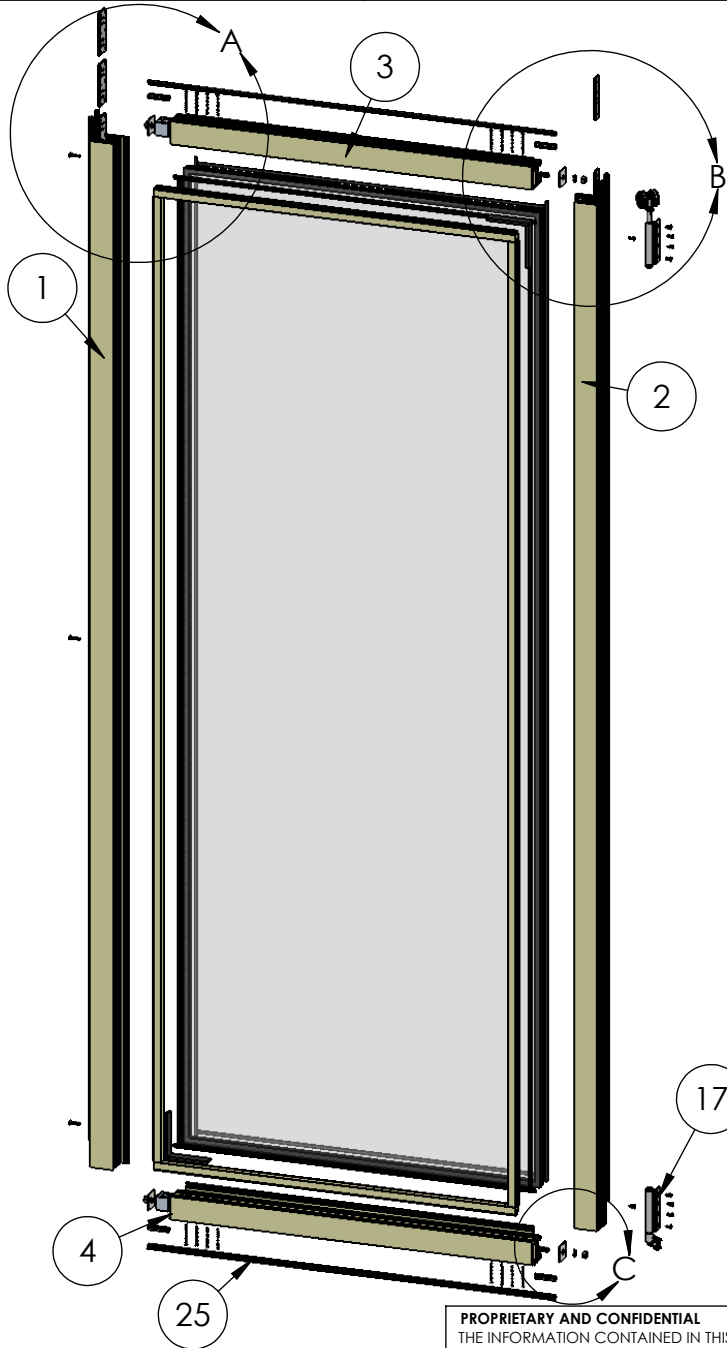
Extrusions				Hardware			
ITEM NO.	PART NUMBER	DESCRIPTION	QTY.	ITEM NO.	PART NUMBER	DESCRIPTION	QTY.
1	3604	Left Stile	1	26	25059	Q-Lon Foam Seal	1
2	3604	Right Stile	1	27	25582	Hinge Back Up Plate	3
3	3604	Top Rail	1	28	25486,25487	#10-32 FH Torx Screw, 0.5", Clear, Black, Driver Size T25	15
4	3604	Bottom Rail	1	29	25638,25639	Pivot Set (S.S., Black)	1
5	3916	Seal Clip	4	30	25640,25641	Jamb Pivot (S.S., Black)	1
6	FW1203	Aluminum Rod	2	31	25646,25647, 25648,25649	Hinge Handle Set (S.S., Black) Hinge Set (in-swing only) (S.S., Black)	1
7	3907	1" Glass Stop (Shown)	4	32	25571	Corner Block	4
Hardware				33	25668	.375-16 Hex Head Cap Screw, 1.625"	4
ITEM NO.	PART NUMBER	DESCRIPTION	QTY.	34	25573	Back up Plate Corner Block	4
8	IG Glass	Glass	1	35	25024	.375 Split Lock Washer	4
9	25199	Mini Bulb Vinyl	4	36	25023	.375-16 Stainless Steel Hex Nut	4
10	25031	Bulb Vinyl-Large	2	37	25683	Foam Seal	1
11	18620	Setting Block	4	38	25654	Flush Pull with screws (in-swing only)	1
12	20258	#8 FHP Screw, 2"	16				
13	25058	Q-Lon Foam Seal (at Head)	1				
14	25586	Hinge Back Up Plate	3				
15	25488,25489	#10-32 FH Torx Screw, 1", Size T25 (Clear, Black)	24				
16	25587	Top Shoot Bolt Guide	1				
17	25343	#8-32 FHP Screw, 1.125"	2				
18	25760	#8-32 FHP SCrew, .75"	2				
19	25588	Bottom Shoot Bolt Guide	1				
20	25663	Shoot Bolt Ends (part of a kit)	2				
21	25566	Shoot Bolt Rod Guide	3				
22	25663	Locking Pins (part of a kit)	4				
23	25665	Plastic Lock Spacer (In-swing only)	1				
24	25662	DPL Lock Body	1				
25	25656,25657	DPL Non-Locking Handle	1				

PROPRIETARY AND CONFIDENTIAL

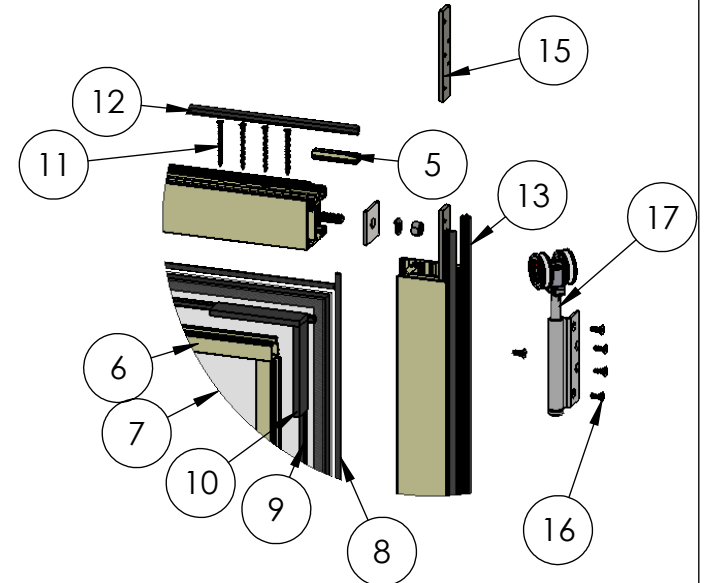
THE INFORMATION CONTAINED IN THIS DRAWING IS THE SOLE PROPERTY OF FLEETWOOD WINDOWS & DOORS.
ANY REPRODUCTION IN PART OR AS A WHOLE WITHOUT THE WRITTEN PERMISSION OF FLEETWOOD WINDOWS & DOORS IS PROHIBITED.

Description Panel 1 B.O.M.	
File Name Series 3600-T 2L and 2R Assembly	REV -
Released 9/28/2017	SHEET 4 OF 6

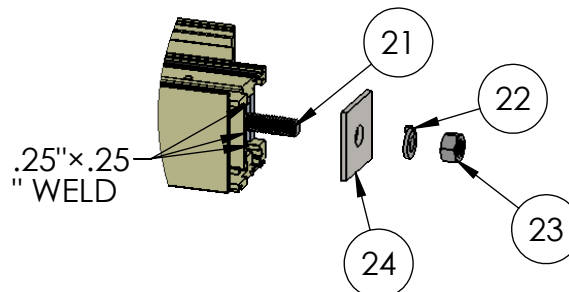
ASSEMBLY / PARTS LIST (B.O.M.)



DETAIL A
 SCALE 1 : 10



DETAIL B
 SCALE 1 : 8



DETAIL C
 SCALE 1 : 4

PROPRIETARY AND CONFIDENTIAL
 THE INFORMATION CONTAINED IN THIS DRAWING IS THE SOLE PROPERTY OF FLEETWOOD WINDOWS & DOORS.
 ANY REPRODUCTION IN PART OR AS A WHOLE WITHOUT THE WRITTEN PERMISSION OF FLEETWOOD WINDOWS & DOORS IS PROHIBITED.

Description Panel 2 Assembly	
File Name Series 3600-T 2L and 2R Assembly	REV -
Released 9/28/2017	SHEET 5 OF 6

ASSEMBLY / PARTS LIST (B.O.M.)

Extrusions

ITEM NO.	PART NUMBER	DESCRIPTION	QTY.
1	3604	Left Stile	1
2	3604	Right Stile	1
3	3604	Top Rail	1
4	3604	Bottom Rail	1
5	3916	Seal Clip	4
6	3907	1" Glass Stop (Shown)	4

Hardware

ITEM NO.	PART NUMBER	DESCRIPTION	QTY.
7	IG Glass	Glass	1
8	25199	Mini Bulb Vinyl	4
9	25031	Bulb Vinyl-Large	4
10	18620	Setting Block	4
11	20258	#8 FHP Screw, 2"	16
12	25058	Q-Lon Foam Seal (at Head)	1
13	25929	Q-Lon Foam Seal	2
14	25059	Q-Lon Foam Seal	2
15	25582	Hinge Back Up Plate	2
16	25486,25487	#10-32 FH Torx Screw, 0.5", Size T25 (Clear, Black)	10
17	25642,25643	End Hanger Top	1
18	25586	Hinge Back Up Plate	3
19	25488,25489	#10-32 FH Torx Screw, 1", Size T25 (Clear, Black)	3
20	25571	Corner Block	4
21	25668	.375-16 Hex Head Cap Screw, 1.625"	4
22	25024	.375 Split Lock Washer	4
23	25023	.375-16 Stainless Steel Hex Nut	4
24	25573	Back up Plate Corner Block	4
25	25683	Foam Seal	1

Description

Panel 2 B.O.M.

File Name

Series 3600-T 2L and 2R
Assembly

REV

-

Released

9/28/2017

SHEET 6 OF 6

PROPRIETARY AND CONFIDENTIAL

THE INFORMATION CONTAINED IN THIS DRAWING IS THE SOLE PROPERTY OF FLEETWOOD WINDOWS & DOORS.
ANY REPRODUCTION IN PART OR AS A WHOLE WITHOUT THE WRITTEN PERMISSION OF FLEETWOOD WINDOWS & DOORS IS PROHIBITED.