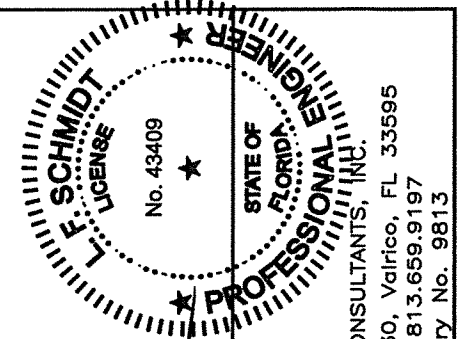


HARDWARE TABLE			
HINGE			
Qty.	Description	Height	Snubbers
5	Butt hinge	≤ 81.75"	Not Req'd
4	Butt hinge	≤ 81.75"	Yes (2)
2	Butt hinge	≤ 50"	Yes (2)
2	4 Bar hinge	≤ 65"	Yes (3)
HANDLES			
Points	Description	Height	*Cam locks can be used in conjunction with multipoint lock or in lieu of multipoint locks
4	Multipoint	> 72"	
3	Multipoint	≤ 72"	
Qty.			
3	Cam*	≤ 65"	
1	Cam*	≤ 50"	

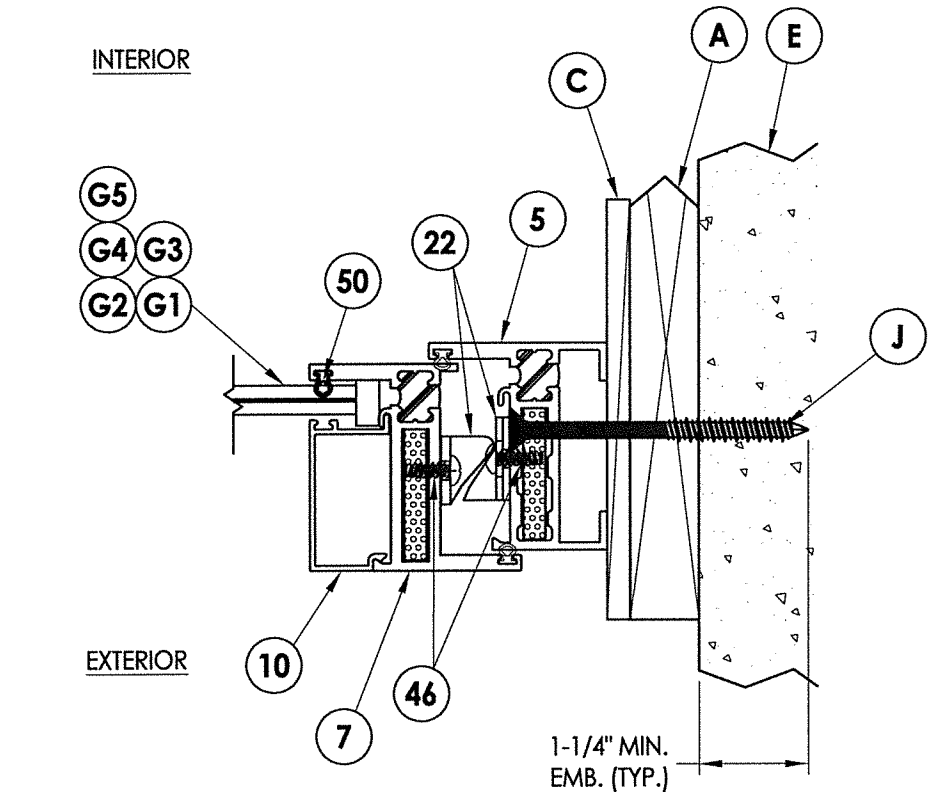


RW

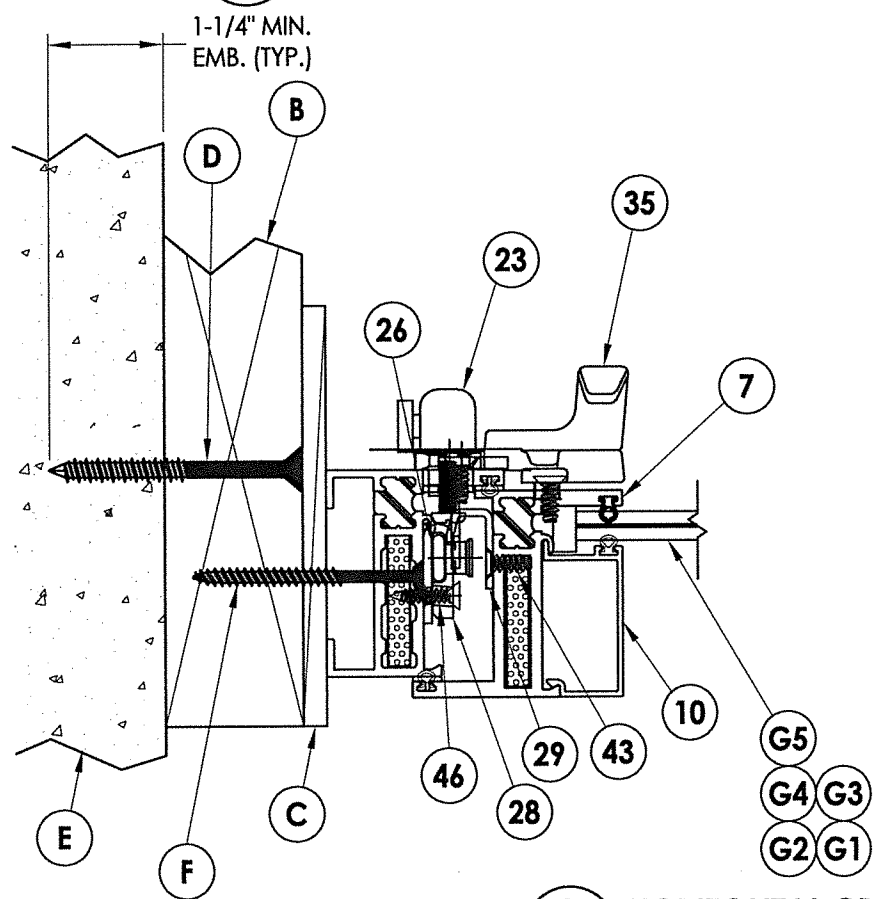
December 7, 2021
 Documents Prepared By:
 Lyndon F. Schmidt
 P.E. No. 43409

R.W. BUILDING CONSULTANTS, INC.
 P.O. Box 230, Valrico, FL 33595
 Phone No.: 813.659.9197
 FBPE Registry No. 9813

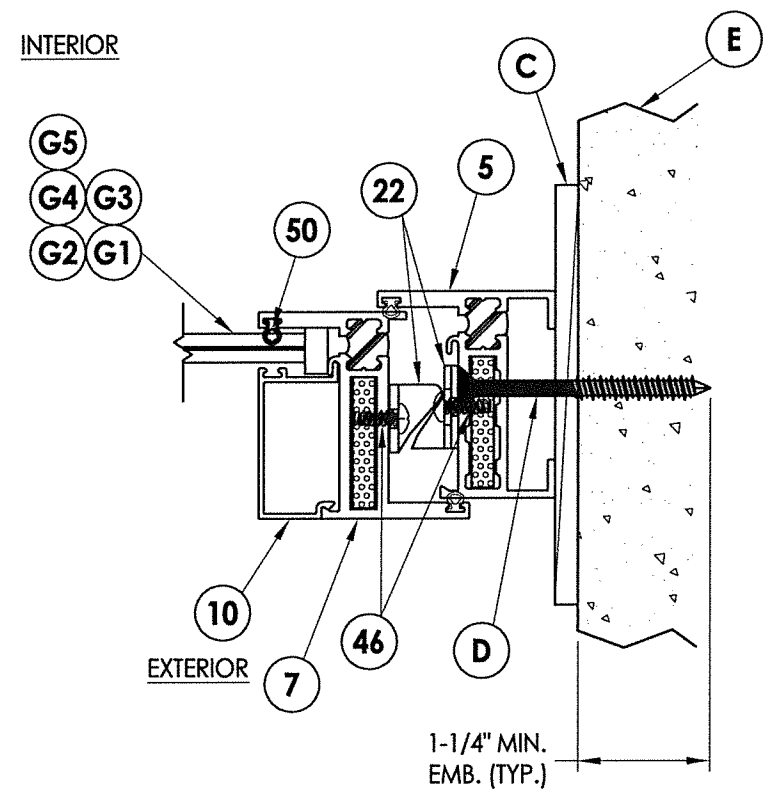
PRODUCT:		FLEETWOOD WINDOWS AND DOORS
PART OR ASSEMBLY:		ELEVATIONS
DATE:	10/23/13	
SCALE:	N.T.S.	
DWG. BY:	JK	
CHK. BY:	LFS	
DRAWING NO.:	FL-14904.9	
SHEET	2	OF 8



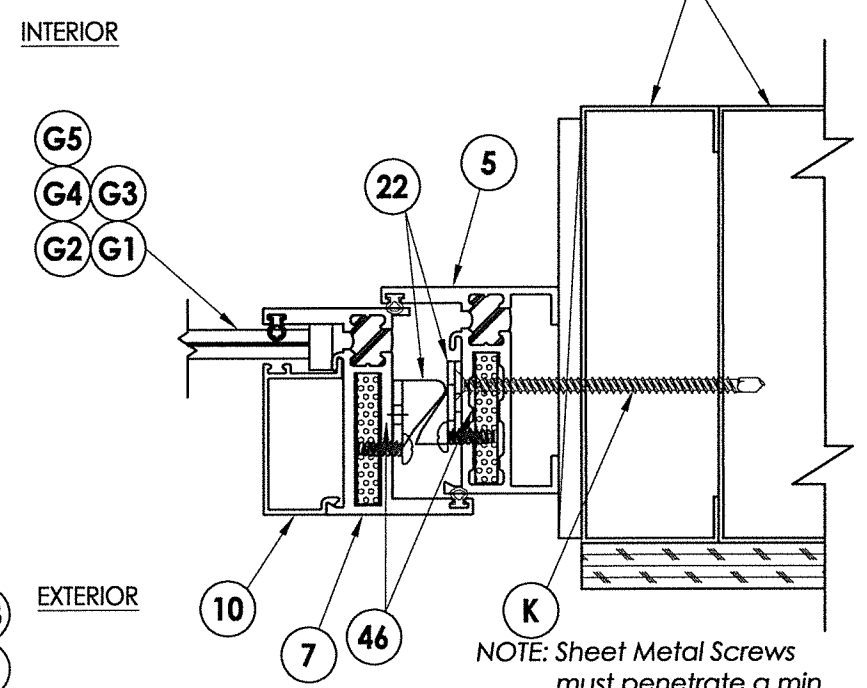
2 **HORIZONTAL CROSS SECTION**
3 Shown w/ 1X Sub buck option



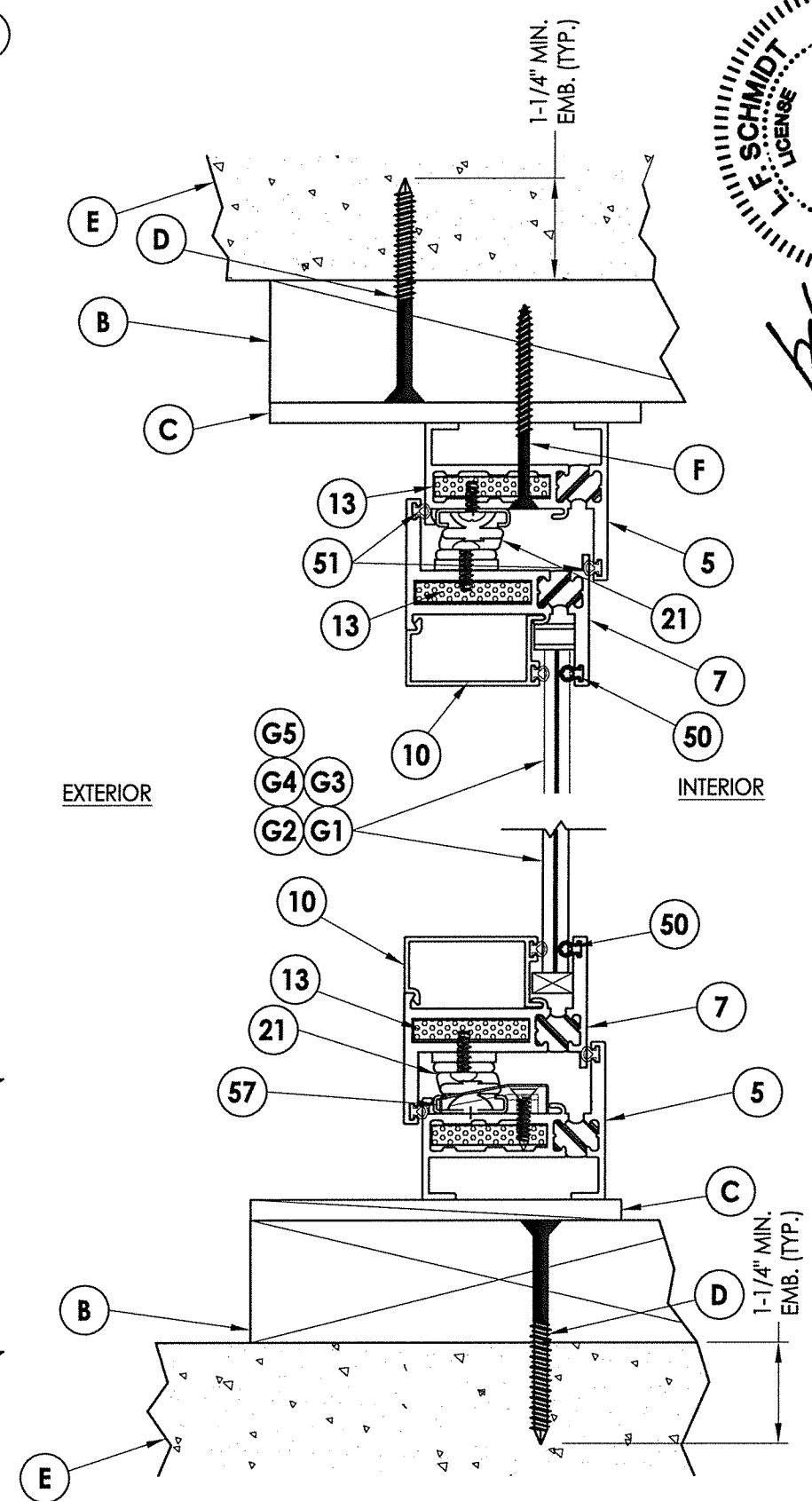
1 **HORIZONTAL CROSS SECTION**
3 Show w/ 2X Buck and Steel Stud options



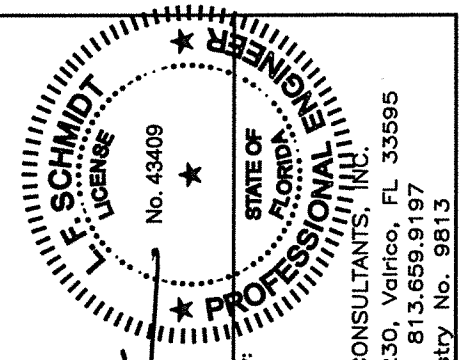
3 **HORIZONTAL CROSS SECTION**
3 Shown w/ Direct to Masonry option



NOTE: Sheet Metal Screws must penetrate a min. of 3 threads through at least two (2) sheets of metal.



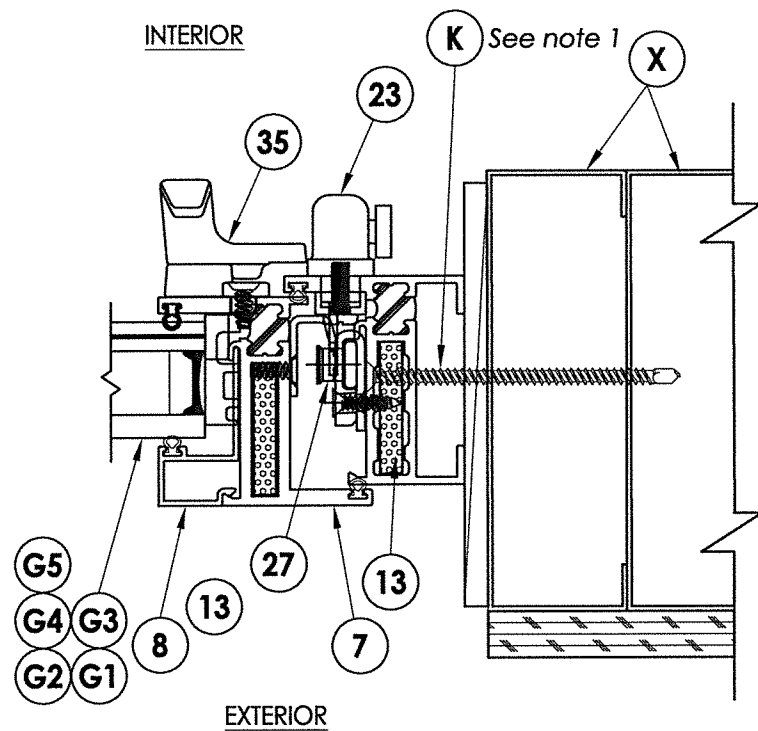
4 **VERTICAL CROSS SECTION**
3 Shown w/ 2X Buck Construction



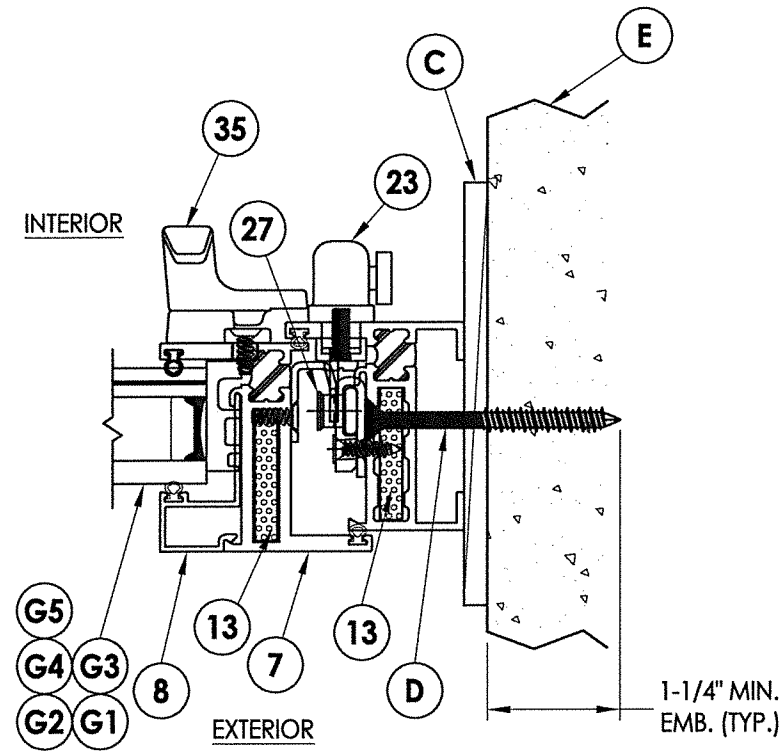
December 7, 2021
 Documents Prepared By:
 Lyndon F. Schmidt
 P.E. No. 43409
 R.W. BUILDING CONSULTANTS, INC.
 P.O. Box 230, Valrico, FL 33595
 Phone No.: 813.659.9197
 FBPE Registry No. 9813

PRODUCT:		FLEETWOOD WINDOWS AND DOORS	
PART OR ASSEMBLY:		HORIZONTAL AND VERTICAL CROSS SECTIONS	
LFS	12/7/21	SERIES NAME CHANGE	REVISIONS
DAC	8/06/20	UPDATE TO 7th ED. (2020)	BY
LFS	8/07/17	UPDATE TO 6TH ED. (2017)	DATE
LFS	8/22/16	RENUMBER DRAWINGS	
LFS	8/06/17	UPDATE TO 5TH ED. (2014)	
NO.	DATE		
DATE: 10/23/13		SCALE: N.T.S.	
DWG. BY: JK		CHK. BY: LFS	
DRAWING NO.: FL-14904.9		SHEET 3 OF 8	

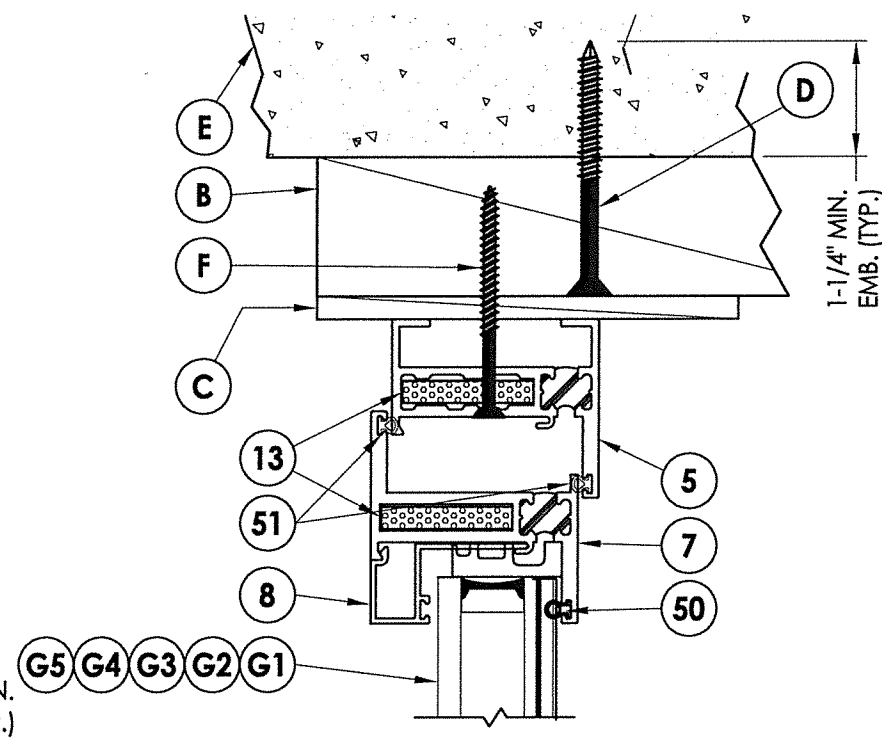
Z:\Clients\Fleetwood PERMANENTA - Florida Product Approvals\FL-14904_Casement\C - Drawings\FL-14904 (2020) R8\FL-14904.8-10.dwg



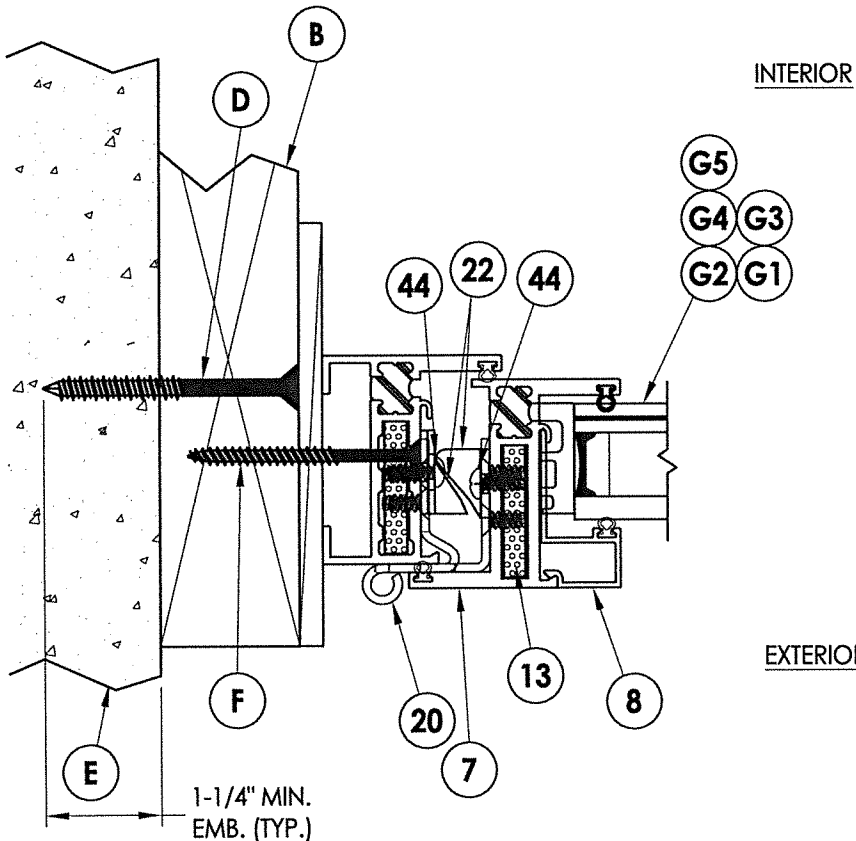
3 HORIZONTAL CROSS SECTION
4 Shown w/ Steel Stud option



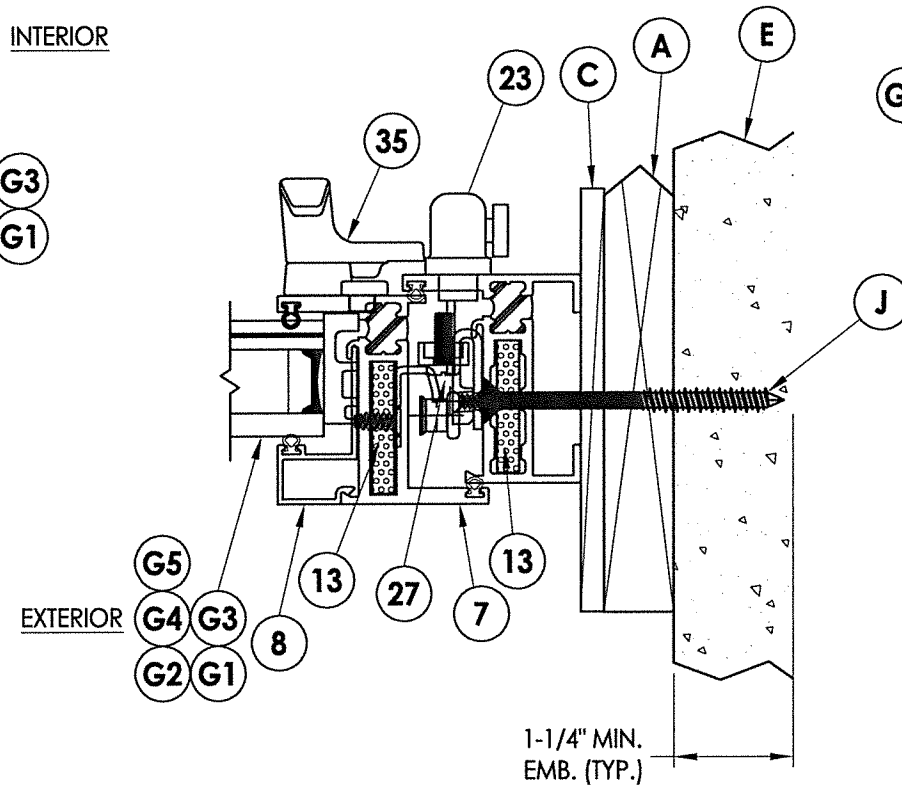
4 HORIZONTAL CROSS SECTION
4 Shown w/ Direct to Masonry option



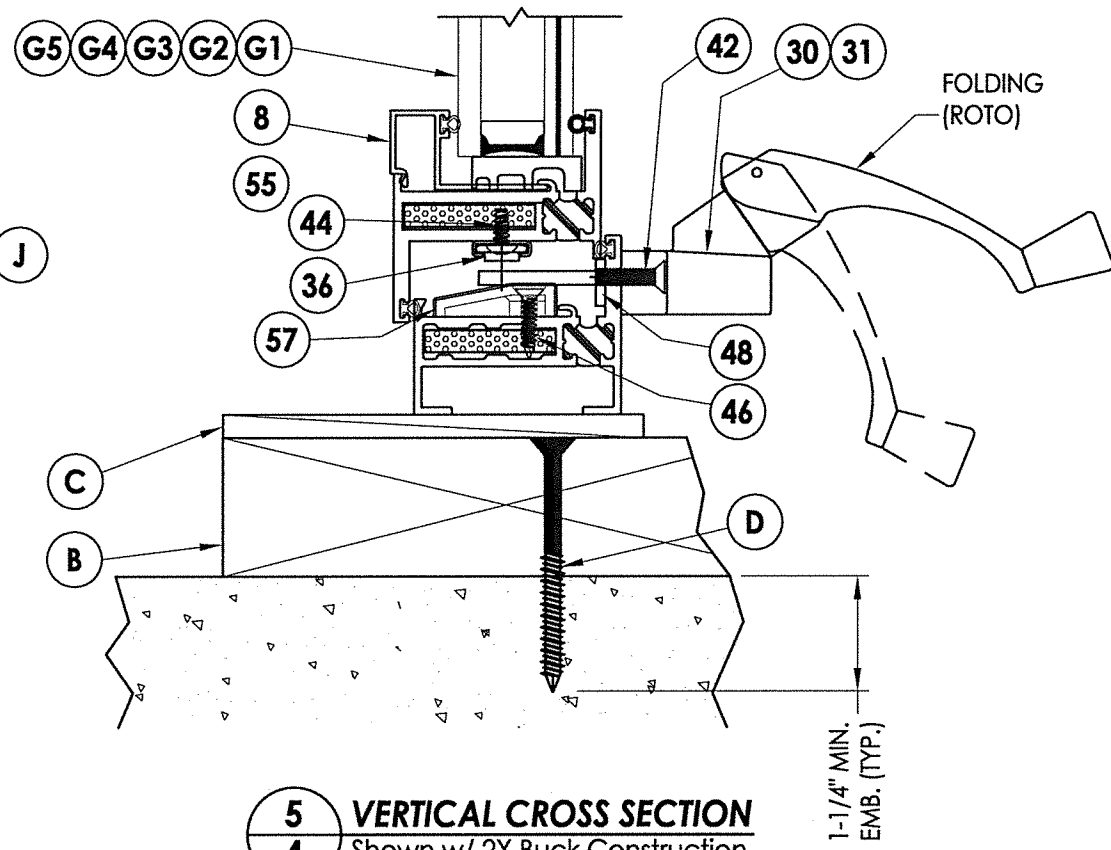
5 VERTICAL CROSS SECTION
4 Shown w/ 2X Buck Construction



1 HORIZONTAL CROSS SECTION
4 Shown w/ 2X Buck Construction



2 HORIZONTAL CROSS SECTION
4 Shown w/ 1X Sub buck option



5 VERTICAL CROSS SECTION
4 Shown w/ 2X Buck Construction

December 7, 2021
 Documents Prepared By:
 Lyndon F. Schmidt
 P.E. No. 43409
 R.W. BUILDING CONSULTANTS, INC.
 P.O. Box 230, Valrico, FL 33595
 Phone No.: 813.659.9197
 FBPE Registry No. 9813

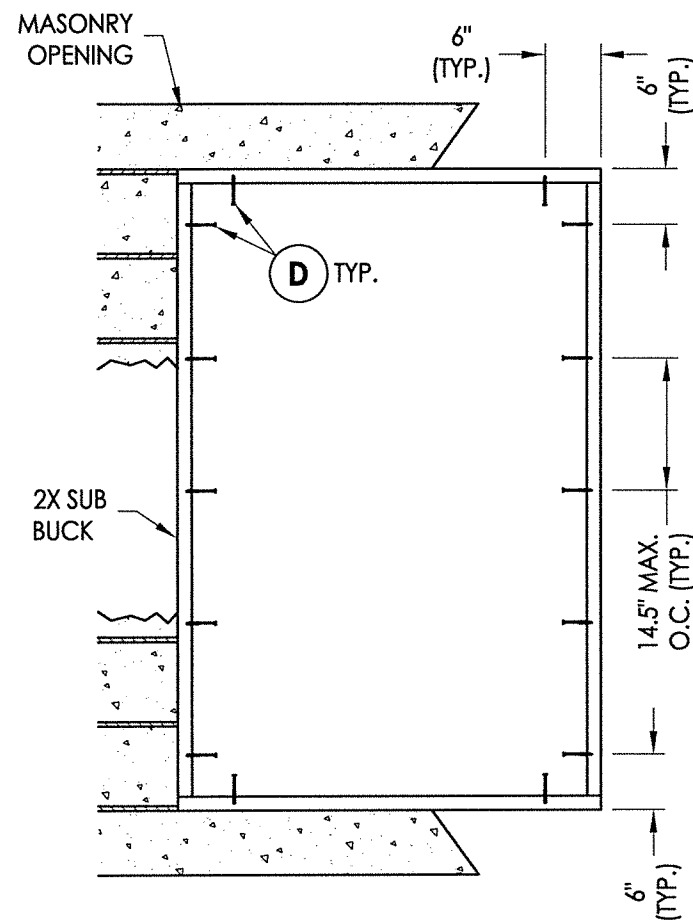
PRODUCT:	FLEETWOOD WINDOWS AND DOORS
PART OR ASSEMBLY:	HORIZONTAL AND VERTICAL CROSS SECTIONS

NO.	DATE	LFS	DAC	FBC	FBC	BY
5	12/7/21	SERIES NAME CHANGE				
4	8/06/20	UPDATE TO 7th ED. (2020)				
3	8/07/17	UPDATE TO 6TH ED. (2017)				
2	8/22/16	RENUMBER DRAWINGS				
1	8/06/17	UPDATE TO 5TH ED. (2014)				

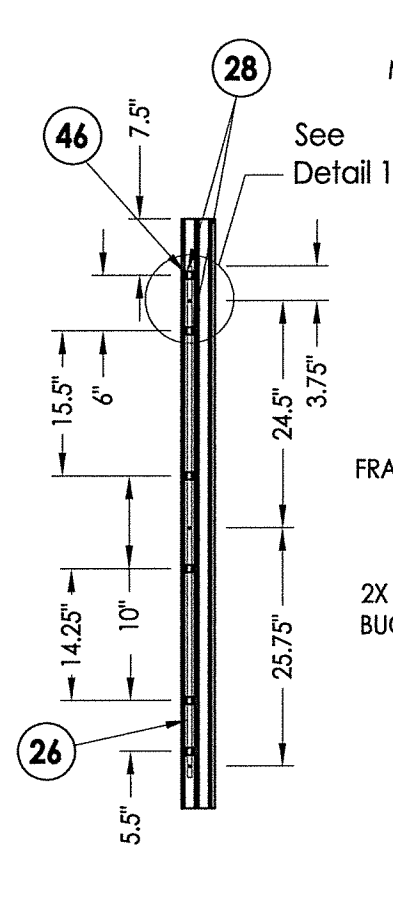
DATE:	10/23/13
SCALE:	N.T.S.
DWG. BY:	JK
CHK. BY:	LFS
DRAWING NO.:	FL-14904.9
SHEET	4 OF 8

NOTE:
 1. Sheet Metal Screws must penetrate a min. of 3 threads through at least two (2) sheets of metal.

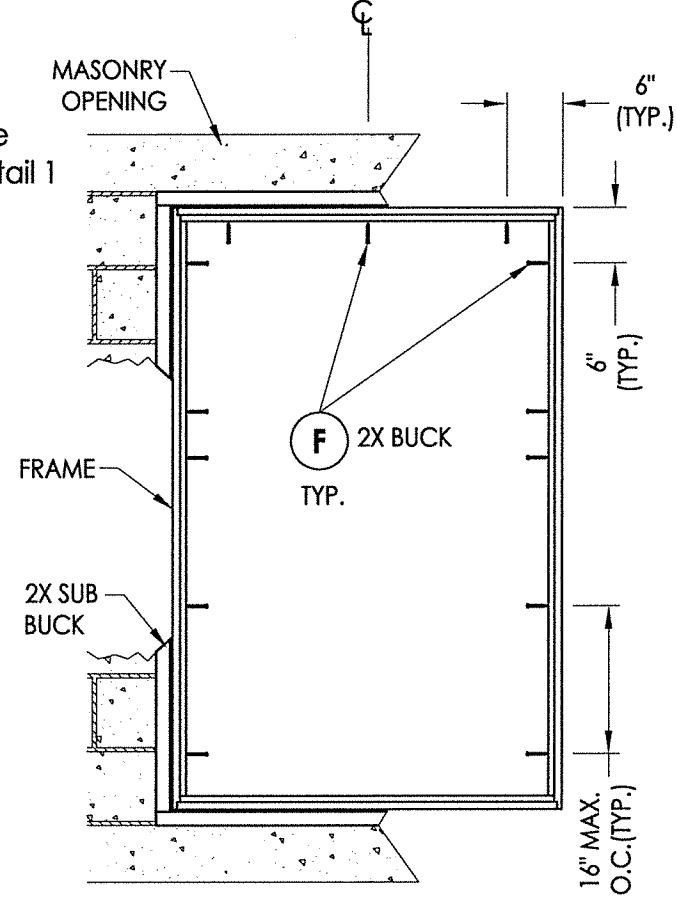
Z:\Clients\Fleetwood PERMANENTVA - Florida Product Approvals\FL-14904 Casement\C - Drawings\FL 14904 (2020) R8\FL-14904.8-10.dwg



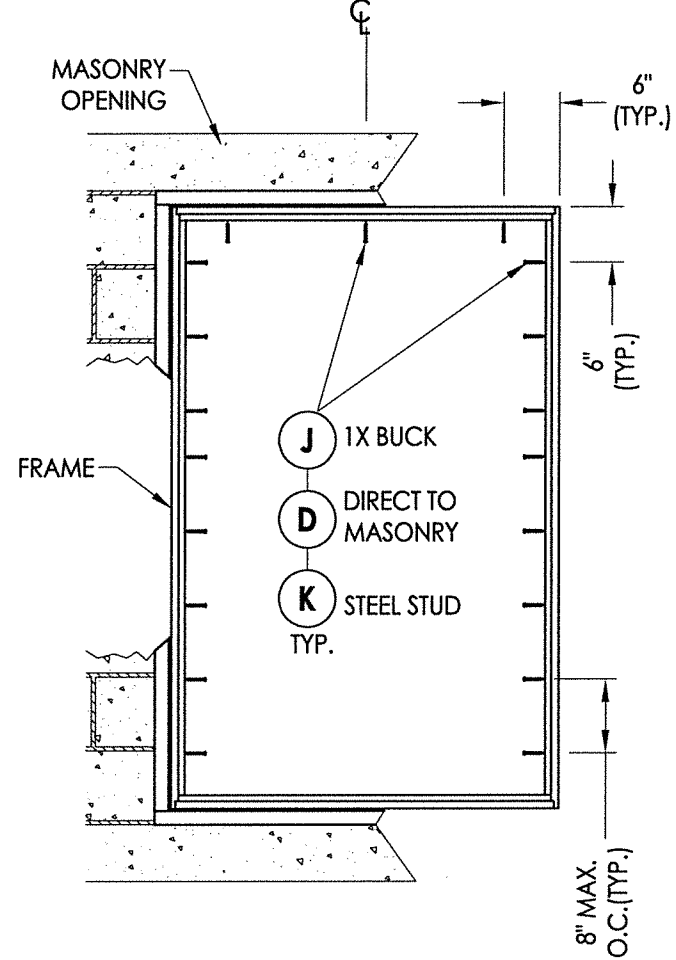
2X BUCK ANCHORING
40.25" X 63.25" Max Size



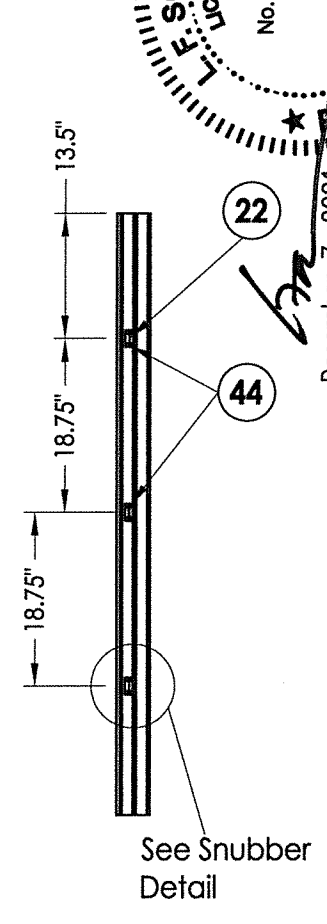
LOCK JAMB
Locking Points (3)



FRAME MOUNT ANCHORING
40.25" X 63.25" Max Size
(2X BUCK)



FRAME MOUNT ANCHORING
40.25" X 63.25" Max Size
(1X BUCK, DIR. TO MASONRY, STEEL STUD)



SNUBBERS JAMB

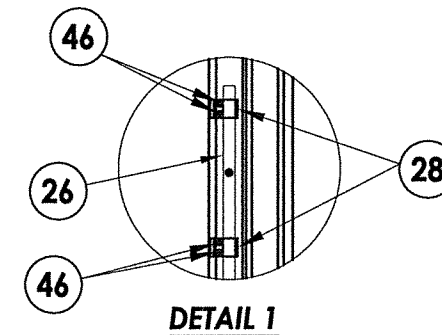
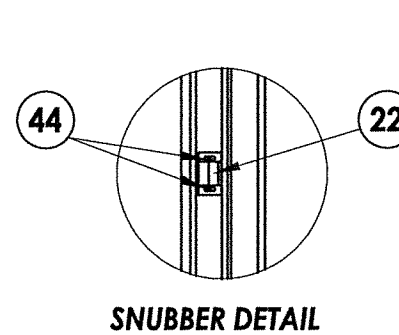
CONCRETE ANCHOR NOTES:

1. Concrete anchor locations at the corners may be adjusted to maintain the min. edge distance to mortar joints.
2. Concrete anchor locations noted as "MAX. ON CENTER" must be adjusted to maintain the min. edge distance to mortar joints, additional concrete anchors may be required to ensure the "MAX. ON CENTER" dimension are not exceeded.
3. Concrete anchor table:

ANCHOR TYPE	ANCHOR SIZE	MIN. EMBEDMENT	MIN. CLEARANCE TO MASONRY EDGE	MIN. CLEARANCE TO ADJACENT ANCHOR
ITW TAPCON®	1/4"	1-1/4"	2"	4"
DeWALT ULTRACON®	1/4"	1-1/4"	1"	4"

WOOD SCREW INSTALLATION NOTES:

1. Maintain a minimum 5/8" edge distance, 1" end distance, & 1" o.c. spacing of wood screws to prevent the splitting of wood.



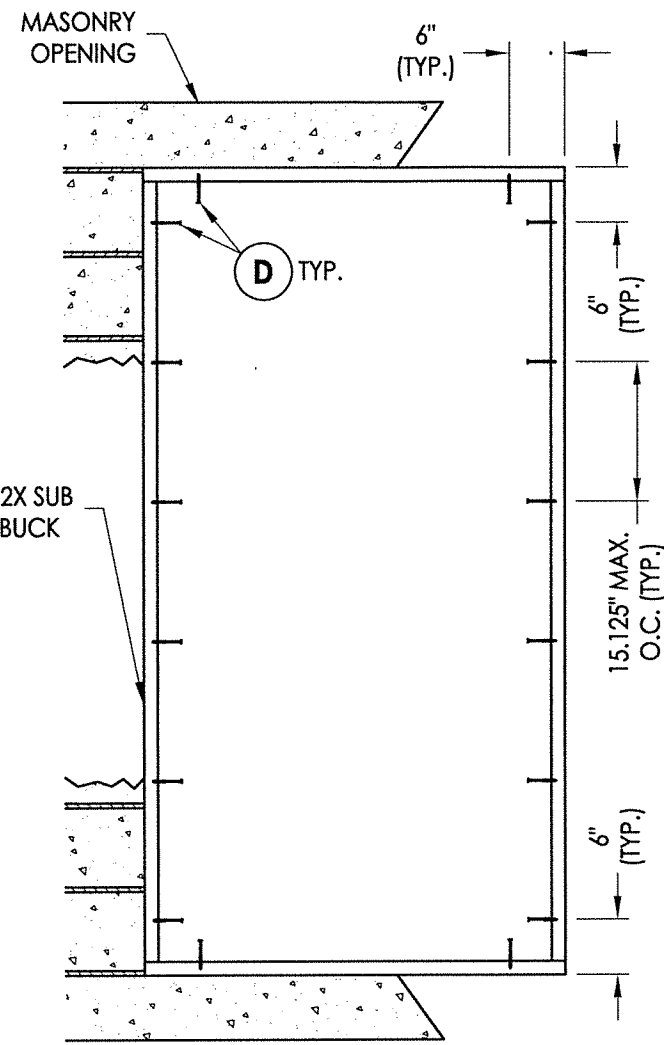
December 7, 2021
 Documents Prepared By:
 Lyndon F. Schmidt
 P.E. No. 43409

R.W. BUILDING CONSULTANTS, INC.
 P.O. Box 230, Vairico, FL 33595
 Phone No.: 813.659.9197
 FBPE Registry No. 9813

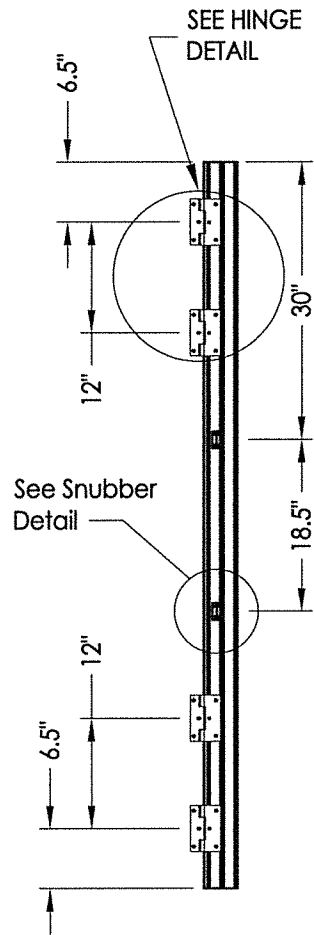
PRODUCT:		FLEETWOOD WINDOWS AND DOORS	
PART OR ASSEMBLY:		BUCK & FRAME ANCHORING	
NO.	DATE	BY	REVISIONS
5	12/7/21	LFS	SERIES NAME CHANGE
4	8/06/20	DAC	UPDATE TO 7TH ED. (2020) FBC
3	8/07/17	LFS	UPDATE TO 6TH ED. (2017) FBC
2	8/22/16	LFS	RENUMBER DRAWINGS
1	1/22/15	LFS	UPDATE TO 5TH ED. (2014) FBC

DATE: 10/23/13
 SCALE: N.T.S.
 DWG. BY: JK
 CHK. BY: LFS
 DRAWING NO.: FL-14904.9
 SHEET 5 OF 8

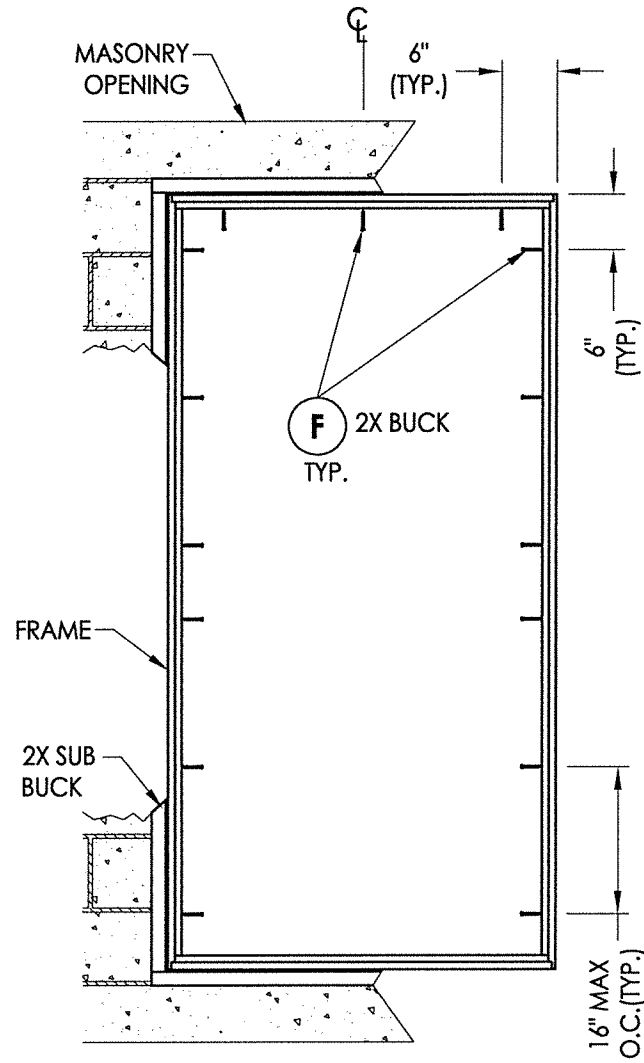
© 2013 R.W. BUILDING CONSULTANTS INC.



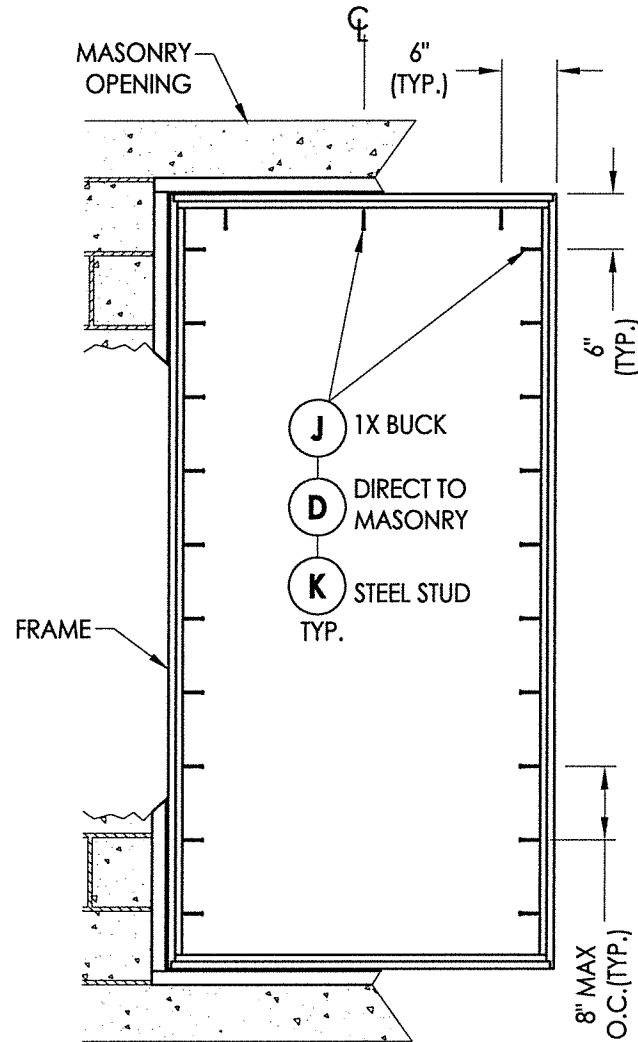
2X BUCK ANCHORING
39.75" X 81.75" Max Size



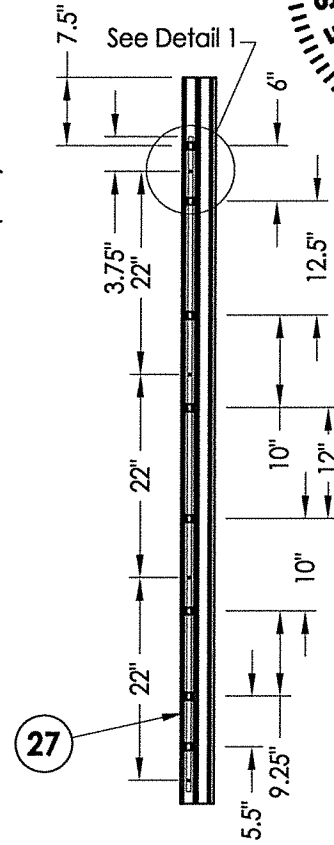
HINGE JAMB



FRAME MOUNT ANCHORING
39.75" X 81.75" Max Size
(2X BUCK)



FRAME MOUNT ANCHORING
39.75" X 81.75" Max Size
(1X BUCK, DIR. TO MASONRY, STEEL STUD)



LOCK JAMB
Locking Points (4)

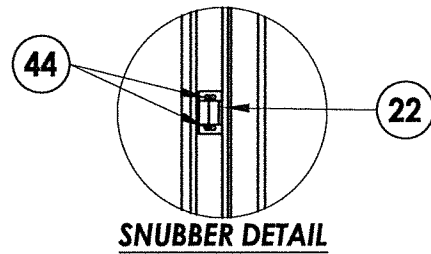
CONCRETE ANCHOR NOTES:

1. Concrete anchor locations at the corners may be adjusted to maintain the min. edge distance to mortar joints.
2. Concrete anchor locations noted as "MAX. ON CENTER" must be adjusted to maintain the min. edge distance to mortar joints, additional concrete anchors may be required to ensure the "MAX. ON CENTER" dimension are not exceeded.
3. Concrete anchor table:

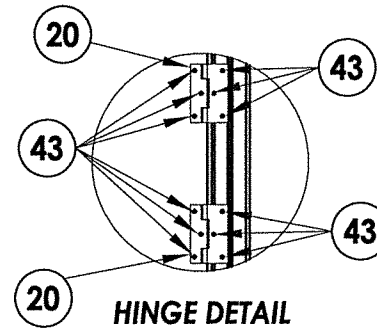
ANCHOR TYPE	ANCHOR SIZE	MIN. EMBEDMENT	MIN. CLEARANCE TO MASONRY EDGE	MIN. CLEARANCE TO ADJACENT ANCHOR
ITW TAPCON®	1/4"	1-1/4"	2"	4"
DeWALT ULTRACON+®	1/4"	1-1/4"	1"	4"

WOOD SCREW INSTALLATION NOTES:

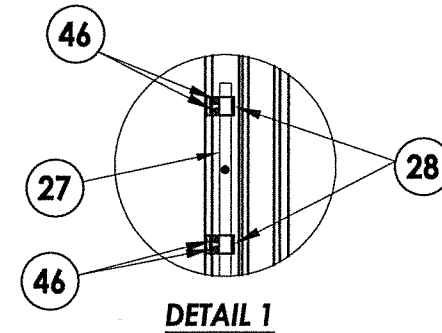
1. Maintain a minimum 5/8" edge distance, 1" end distance, & 1" o.c. spacing of wood screws to prevent the splitting of wood.



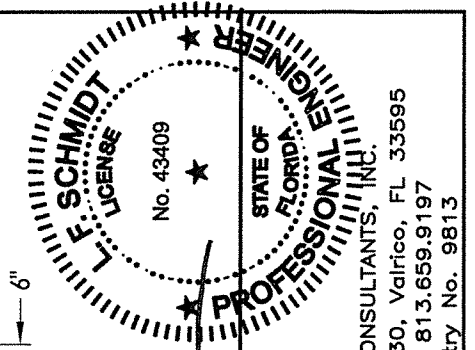
SNUBBER DETAIL



HINGE DETAIL



DETAIL 1

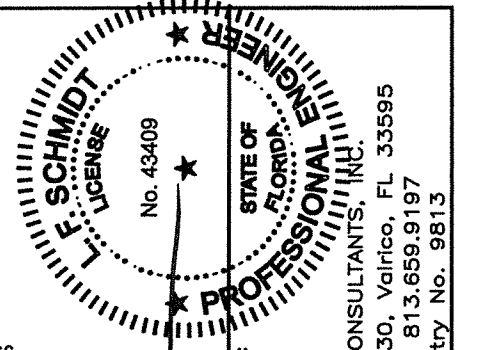
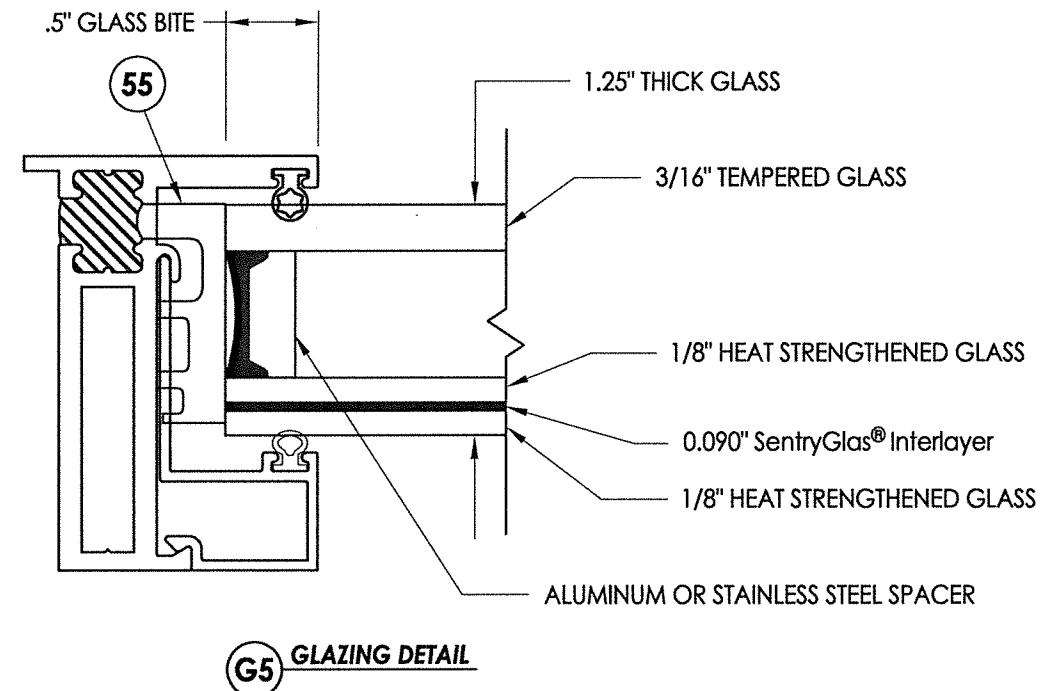
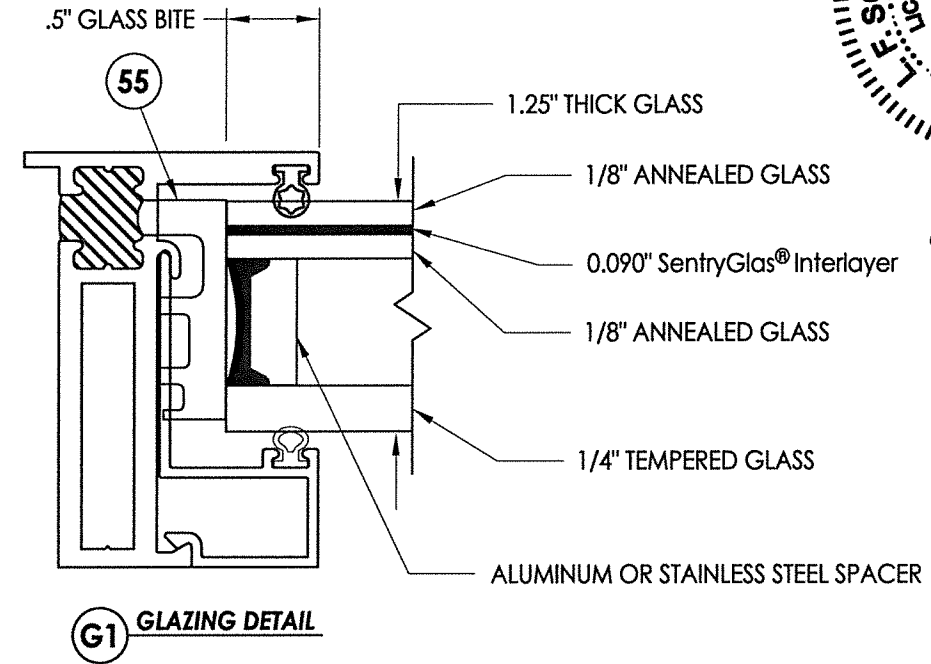
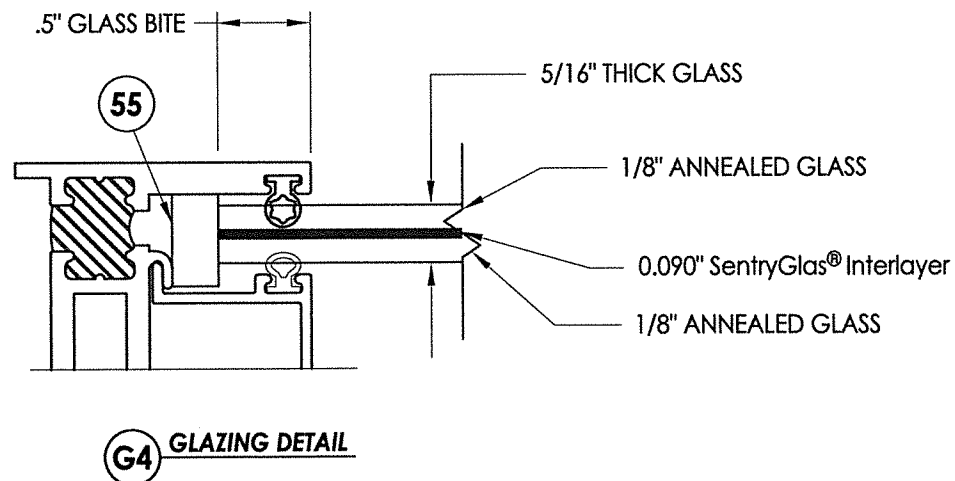
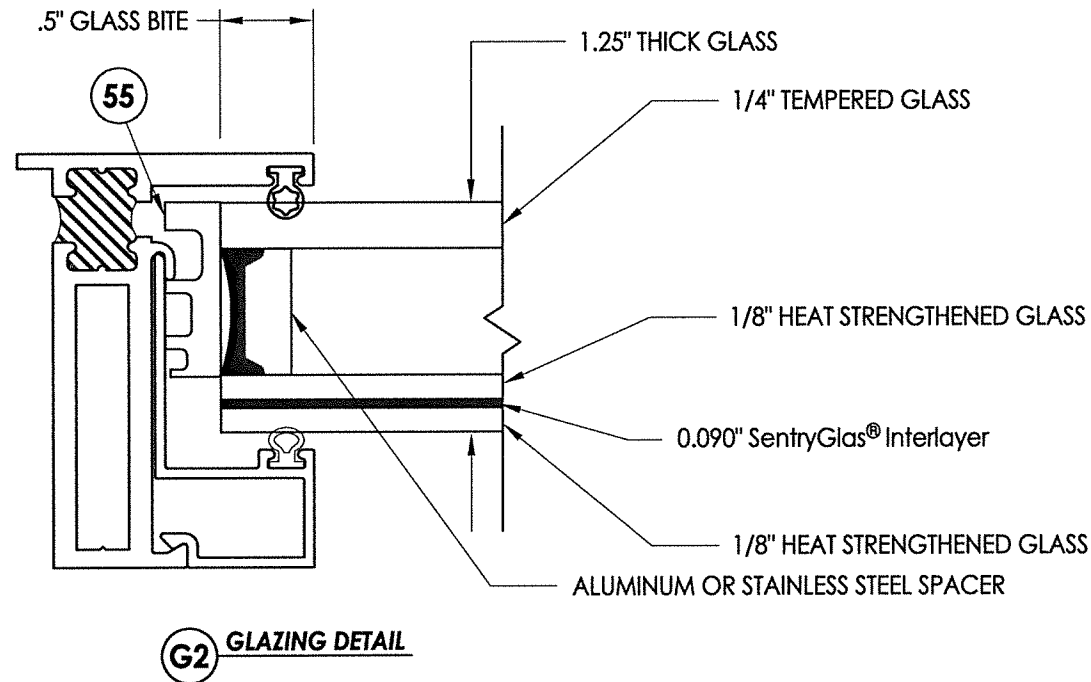
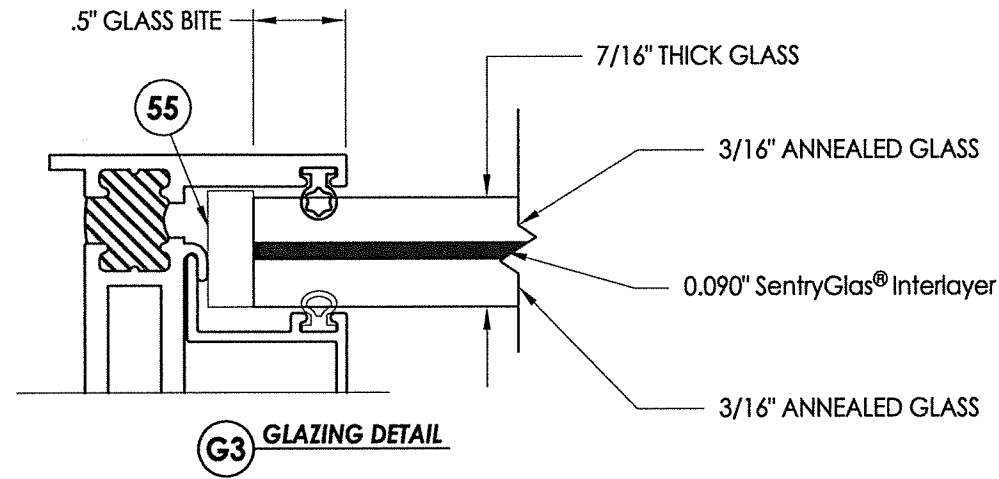


December 7, 2021
Documents Prepared By:
Lyndon F. Schmidt
P.E. No. 43409
RW BUILDING CONSULTANTS, INC.
P.O. Box 230, Valrico, FL 33595
Phone No.: 813.659.9197
FBPE Registry No. 9813

PRODUCT:	FLEETWOOD WINDOWS AND DOORS
PART OR ASSEMBLY:	BUCK & FRAME ANCHORING

NO.	DATE	BY	REVISIONS
5	12/7/21	LFS	SERIES NAME CHANGE
4	8/06/20	DAC	UPDATE TO 7TH ED. (2020) FBC
3	8/07/17	LFS	UPDATE TO 6TH ED. (2017) FBC
2	8/22/16	LFS	RENUMBER DRAWINGS
1	1/22/15	LFS	UPDATE TO 5TH ED. (2014) FBC

DATE:	10/23/13
SCALE:	N.T.S.
DWG. BY:	JK
CHK. BY:	LFS
DRAWING NO.:	FL-14904.9
SHEET	6 OF 8

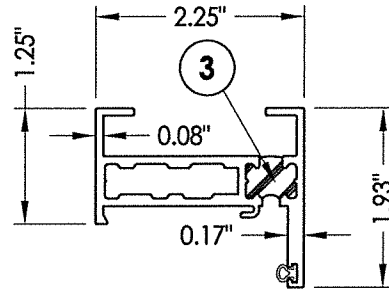


December 7, 2021
 Documents Prepared By:
 Lyndon F. Schmidt
 P.E. No. 43409
 R.W. BUILDING CONSULTANTS, INC.
 P.O. Box 230, Valrico, FL 33595
 Phone No.: 813.659.9197
 FBPE Registry No. 9813

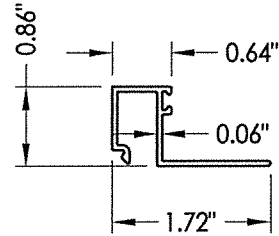
PRODUCT:		FLEETWOOD WINDOWS AND DOORS	
PART OR ASSEMBLY:		GLAZING DETAILS	
NO.	DATE	REVISIONS	BY
5	12/7/21	SERIES NAME CHANGE	LFS
4	8/06/20	UPDATE TO 7th ED. (2020)	DAC
3	8/07/17	UPDATE TO 6TH ED. (2017)	LFS
2	8/22/16	RENUMBER DRAWINGS	LFS
1	8/06/17	UPDATE TO 5TH ED. (2014)	LFS
DATE: 10/23/13			
SCALE: N.T.S.			
DWG. BY: JK			
CHK. BY: LFS			
DRAWING NO.: FL-14904.9			
SHEET 7 OF 8			

Z:\Clients\Fleetwood PERMANENTA - Florida Product Approvals\FL-14904 Casement\C - Drawings\FL-14904 (2020) R8\FL-14904.8-10.dwg

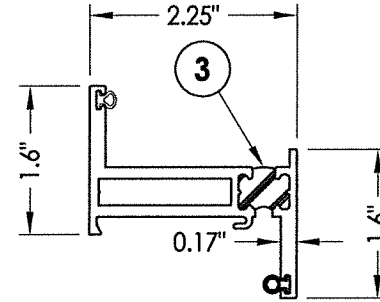
BILL OF MATERIALS		
ITEM #	DESCRIPTION	MATERIAL
A	1X BUCK SG >= 0.55	WOOD
B	2X BUCK SG >= 0.55	WOOD
C	1/4" MAX. SHIM SPACE	-
D	1/4" X 2-3/4" DeWALT OR ITW PFH CONCRETE SCREW	STEEL
E	MASONRY - 3,000 PSI MIN. CONCRETE CONFORMING TO ACI 301 OR HOLLOW BLOCK CONFORMING TO ASTM C90	CONCRETE
F	#10 X 2-1/2" PPH WOOD SCREW (1-1/4" MIN. EMBEDMENT)	STEEL
J	1/4" X 3-1/4" DeWALT OR ITW PFH CONCRETE SCREW	STEEL
K	#10 PPH SELF-DRILLING SMS	STEEL
X	STEEL STUD Min. Thk .033" (ASTM A653 GRADE 33 Fy=33 Ksi Min, Fu=45 Ksi Min)	STEEL
3	THERMAL BREAK ("LIQUID POLYURETHANE" by Azon USA, Inc.)	-
5	BLOCK FRAME (350-T)	6063-T6 ALUM
7	ZEE BAR (PANEL)	6063-T6 ALUM
8	GLASS STOP (1-1/4")	6063-T6 ALUM
10	GLASS STOP (5/16", 7/16")	6063-T6 ALUM
13	CORNER KEY	6063-T6 ALUM
20	SS. BUTT HINGE	SS
21	4 BAR HINGE	SS
22	SNUBBER-COMMERCIAL PULL-IN BLOCK	SS
23	MULTIPOINT LOCK HANDLE	SS
26	3 POINTS LOCKING BAR (TRUTH)	SS
27	4 POINTS LOCKING BAR (TRUTH)	SS
28	TIE BAR GUIDE (TRUTH)	-
29	KEEPER (TRUTH)	SS
30	CASEMENT ROTOR GEAR 13.5"(TRUTH)	SS
31	CASEMENT ROTOR GEAR 9.5"(TRUTH)	SS
35	CAM HANDLE / STRIKE PLATE	SS
36	CASEMENT SS. TRACK (TRUTH)	SS
40	#10 X 1" PPH SMS	STEEL
42	MACHINGE SCREW NO 10-32, FHP .75"	STEEL
43	SCREW NO 10, UFHP .5"	STEEL
44	SCREW NO 8, PHP, .50"	STEEL
46	SCREW NO 8, FHP, .750"	STEEL
48	BACK UP NUTS	STEEL
50	BULB VINYL (EPDM 70 DUROMETER) - TREMCO	-
51	MINI BULB VINYL (EPDM 70 DUROMETER) - TREMCO	-
55	SETTING BLOCK	-
57	PIVOT SHIM	-



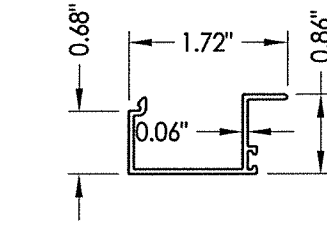
5 BLOCK FRAME



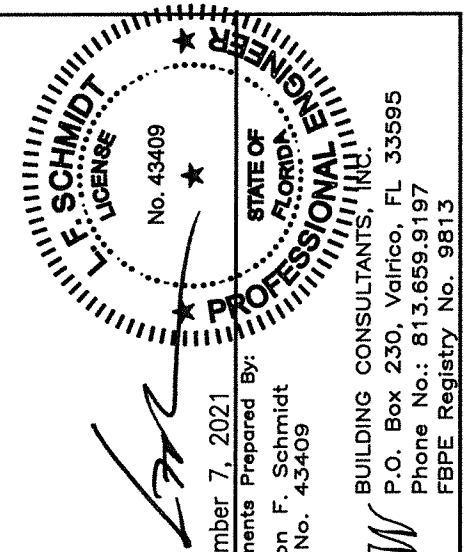
8 GLASS STOP 1-1/4"



7 ZEE BAR (PANEL)



10 GLASS STOP 5/16", 7/16"



December 7, 2021
 Documents Prepared By:
 Lyndon F. Schmidt
 P.E. No. 43409

R.W. BUILDING CONSULTANTS, INC.
 P.O. Box 230, Valrico, FL 33595
 Phone No.: 813.659.9197
 FBPE Registry No. 9813

PRODUCT:
 FLEETWOOD WINDOWS AND DOORS
 PART OR ASSEMBLY:
 BILL OF MATERIALS AND COMPONENTS

NO.	DATE	REVISIONS
5	12/7/21	SERIES NAME CHANGE
4	8/06/20	UPDATE TO 7th ED. (2020)
3	8/07/17	UPDATE TO 6TH ED. (2017)
2	8/22/16	RENUMBER DRAWINGS
1	8/06/17	UPDATE TO 5TH ED. (2014)

DATE: 10/23/13
 SCALE: N.T.S.
 DWG. BY: JK
 CHK. BY: LFS
 DRAWING NO.: FL-14904.9
 SHEET 8 OF 8