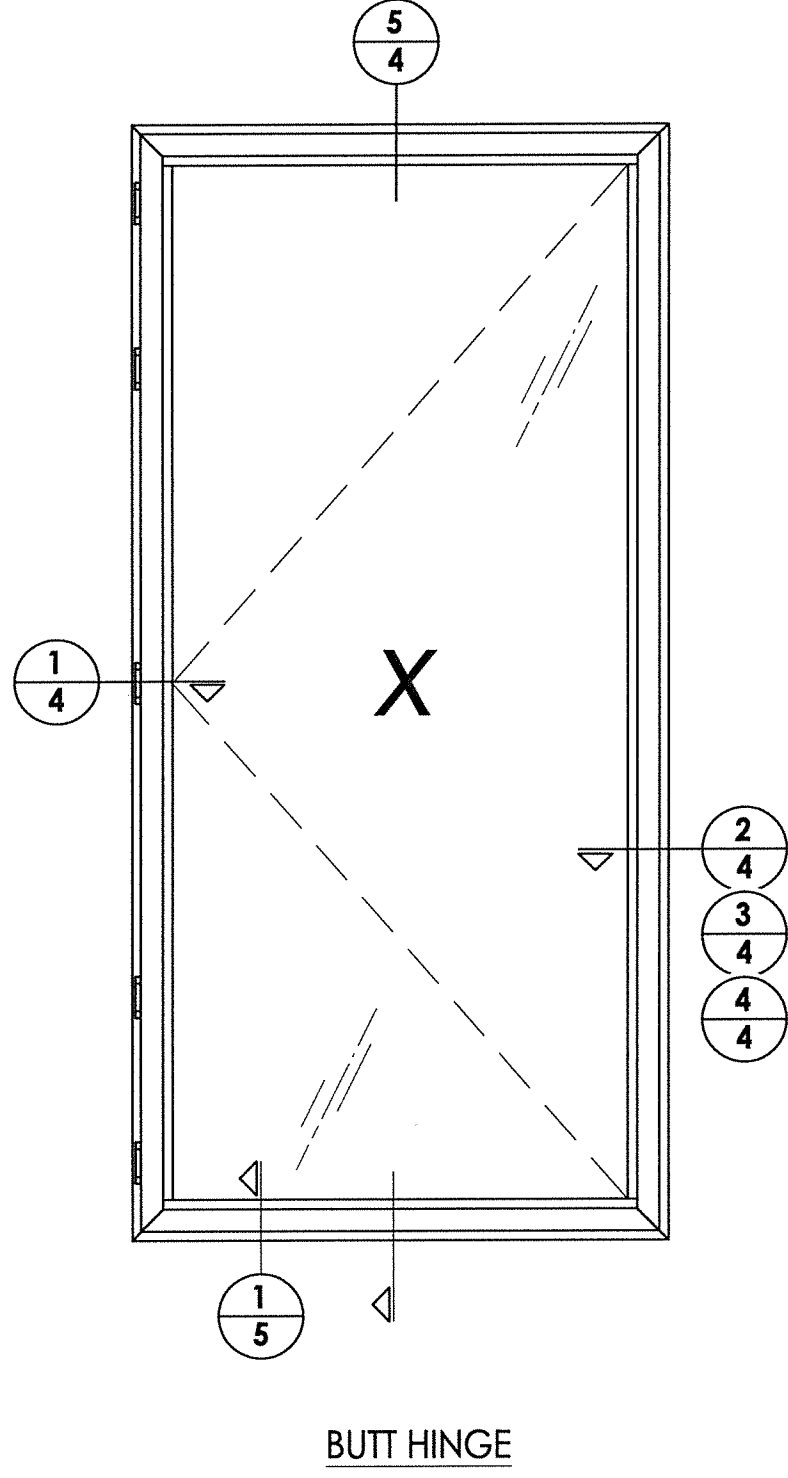
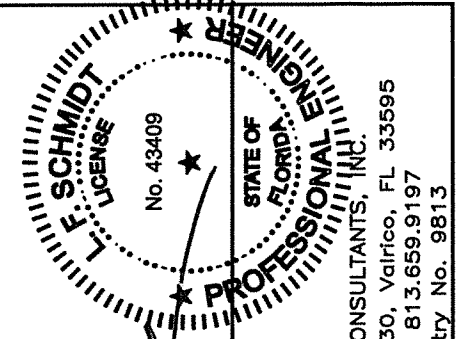


4-BAR HINGE



BUTT HINGE

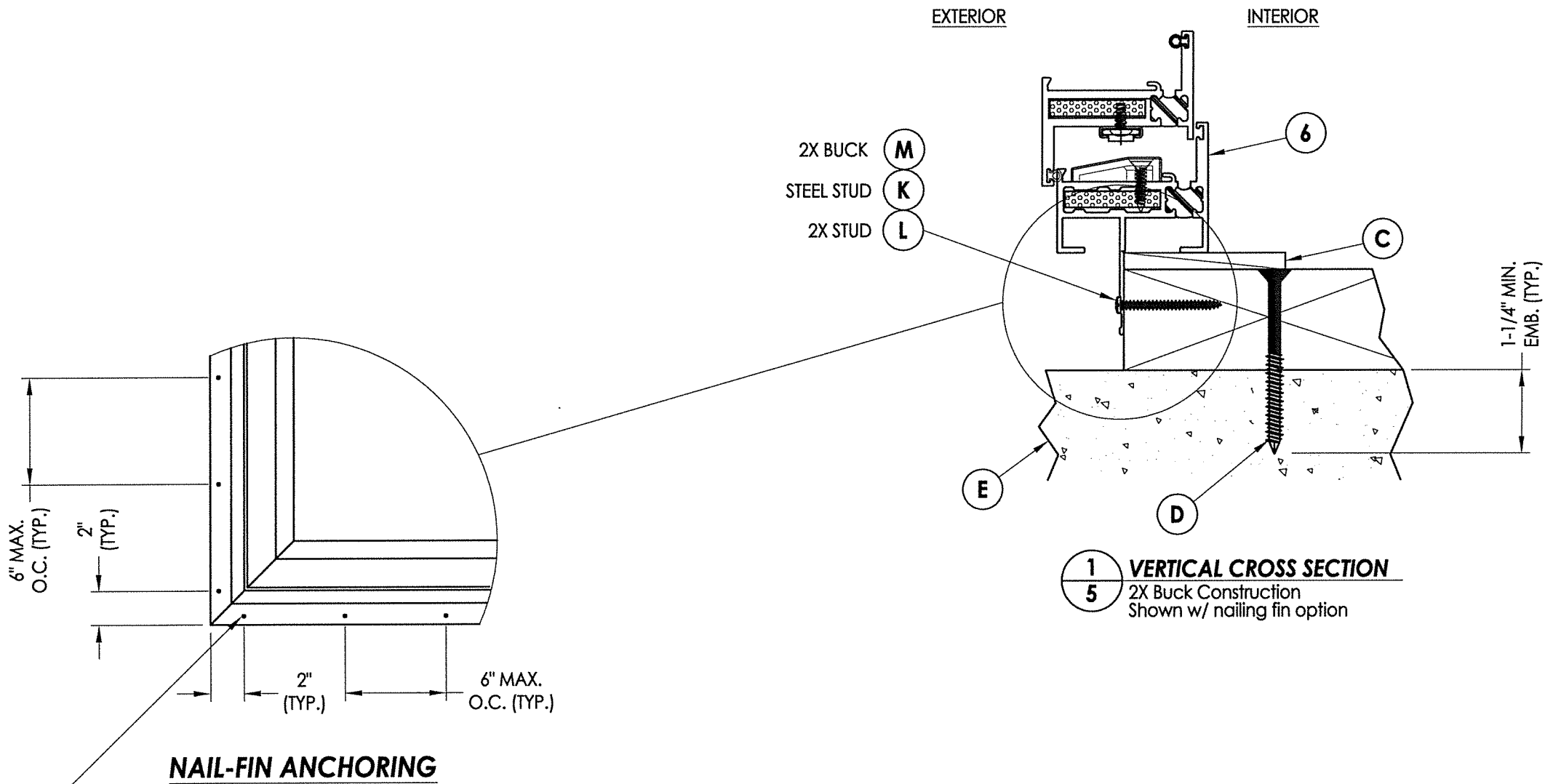


December 7, 2021
 Documents Prepared By:
 Lyndon F. Schmidt
 P.E. No. 43409

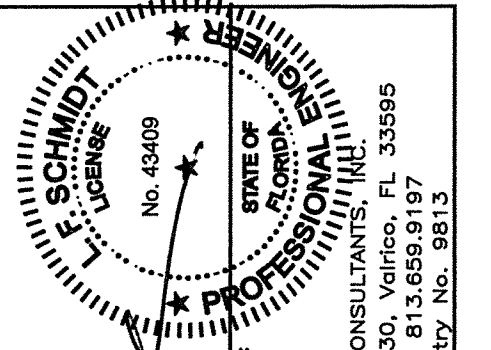
RW BUILDING CONSULTANTS, INC.
 P.O. Box 230, Valrico, FL 33595
 Phone No.: 813.659.9197
 FBPE Registry No. 9813

PRODUCT:			
FLEETWOOD WINDOWS & DOORS			
PART OR ASSEMBLY:			
ELEVATIONS			
NO.	DATE	BY	REVISIONS

DATE: 12/01/21
 SCALE: N.T.S.
 DWG. BY: LFS
 CHK. BY: RW
 DRAWING NO.: FL-14904.15
 SHEET 2 OF 9

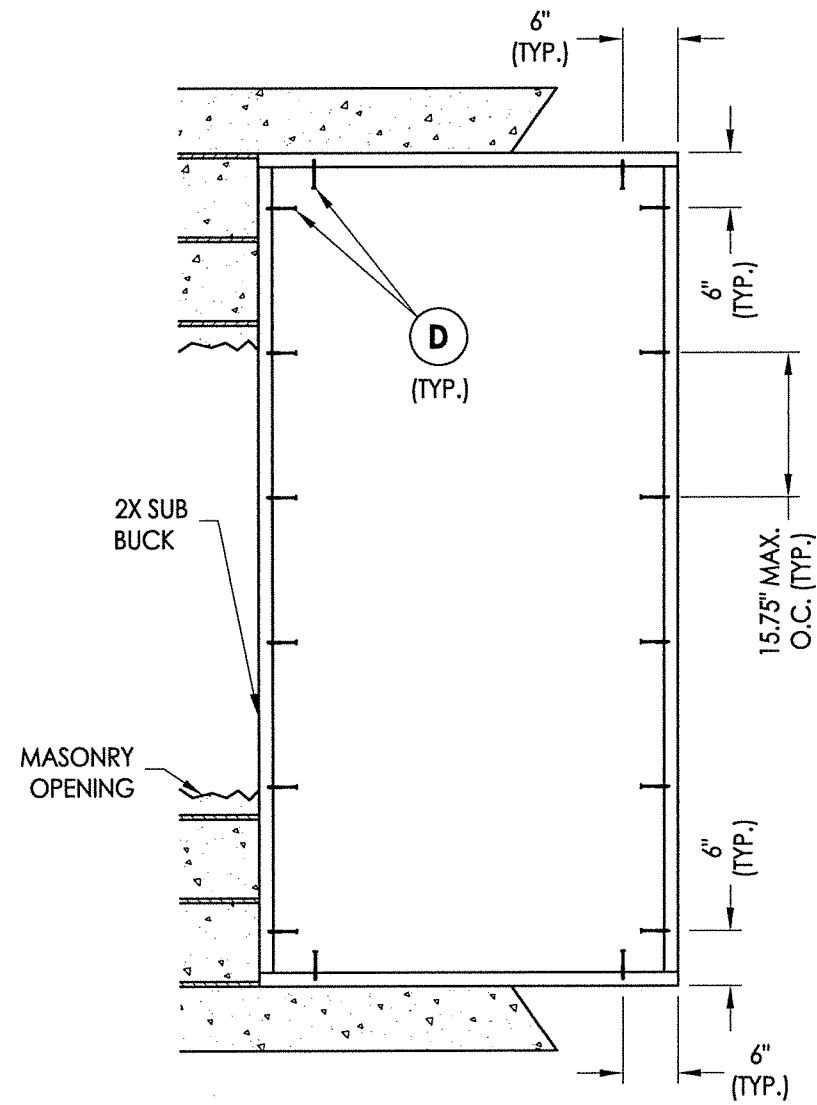


WOOD BUCK/STUD: #8 PPH WOOD SCREW (Must penetrate a min. of 1-3/8" into wood substrate)
 STEEL STUD: #10 PPH SELF-DRILLING SMS (Must penetrate a min. of 3 threads through 0.033" min. thick steel)

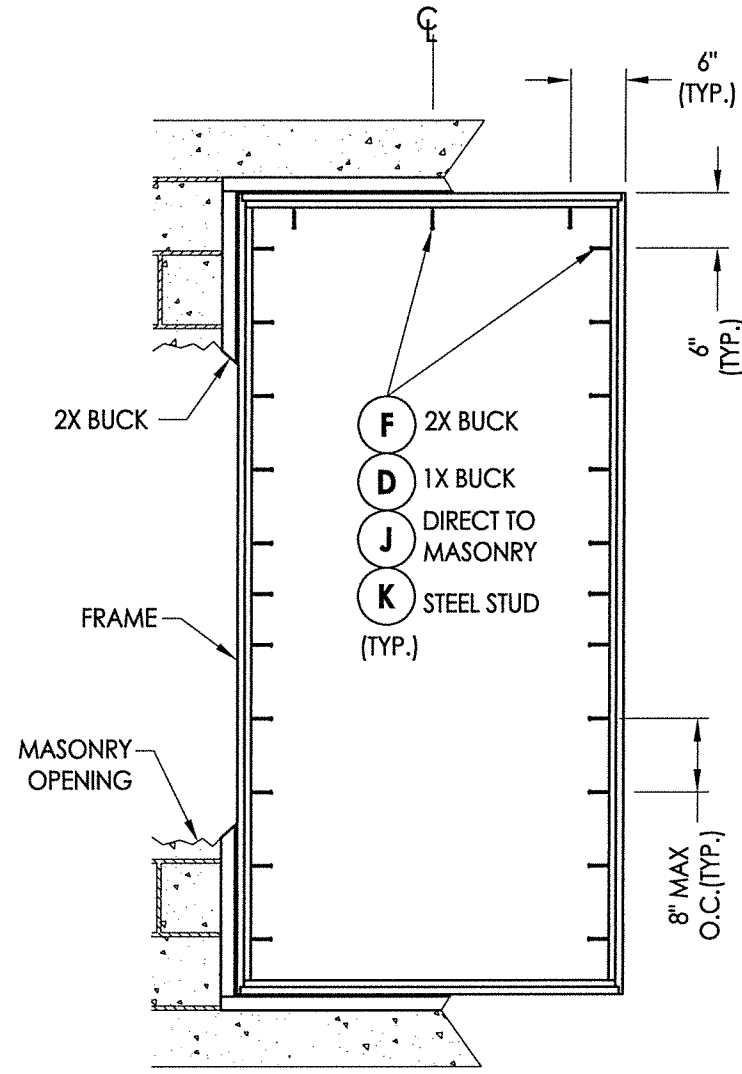


December 7, 2021
 Documents Prepared By:
 Lyndon F. Schmidt
 P.E. No. 43409
 R.W.
 BUILDING CONSULTANTS, INC.
 P.O. Box 230, Valrico, FL 33595
 Phone No.: 813.659.9197
 FBPE Registry No. 9813

PRODUCT:		FLEETWOOD WINDOWS & DOORS
PART OR ASSEMBLY:		VERTICAL CROSS SECTION
NO.	DATE	BY
REVISIONS		
DATE:	12/01/21	
SCALE:	N.T.S.	
DWG. BY:	LFS	
CHK. BY:	RW	
DRAWING NO.:	FL-14904.15	
SHEET	5	OF 9



2X BUCK ANCHORING



FRAME MOUNT ANCHORING

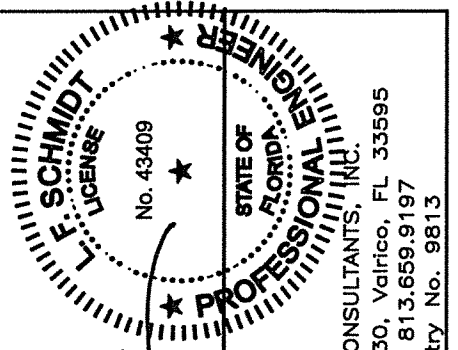
CONCRETE ANCHOR NOTES:

1. Concrete anchor locations at the corners may be adjusted to maintain the min. edge distance to mortar joints.
2. Concrete anchor locations noted as "MAX. ON CENTER" must be adjusted to maintain the min. edge distance to mortar joints, additional concrete anchors may be required to ensure the "MAX. ON CENTER" dimension are not exceeded.
3. Concrete anchor table:

ANCHOR TYPE	ANCHOR SIZE	MIN. EMBEDMENT	MIN. CLEARANCE TO MASONRY EDGE	MIN. CLEARANCE TO ADJACENT ANCHOR
ITW TAPCON®	1/4"	1-1/4"	2"	4"
DeWALT ULTRACON+®	1/4"	1-1/4"	1"	4"

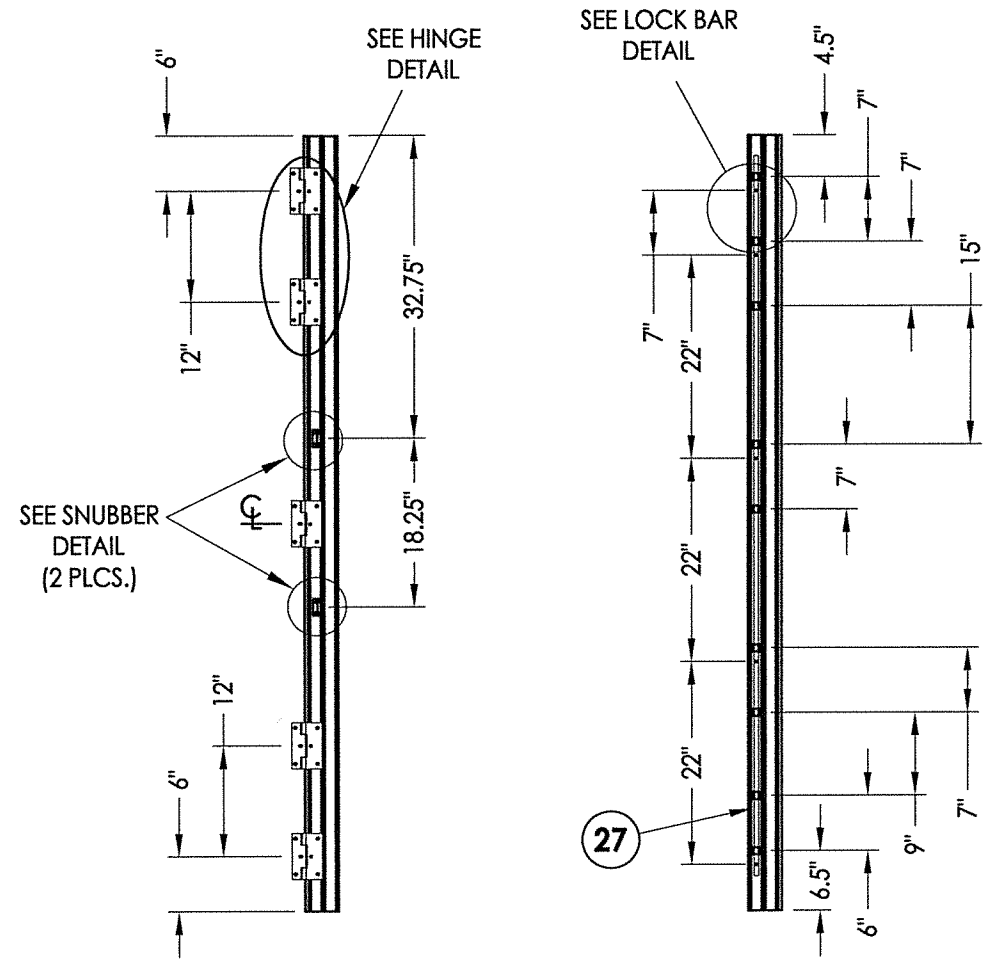
WOOD SCREW INSTALLATION NOTES:

1. Maintain a minimum 5/8" edge distance, 1" end distance, & 1" o.c. spacing of wood screws to prevent the splitting of wood.



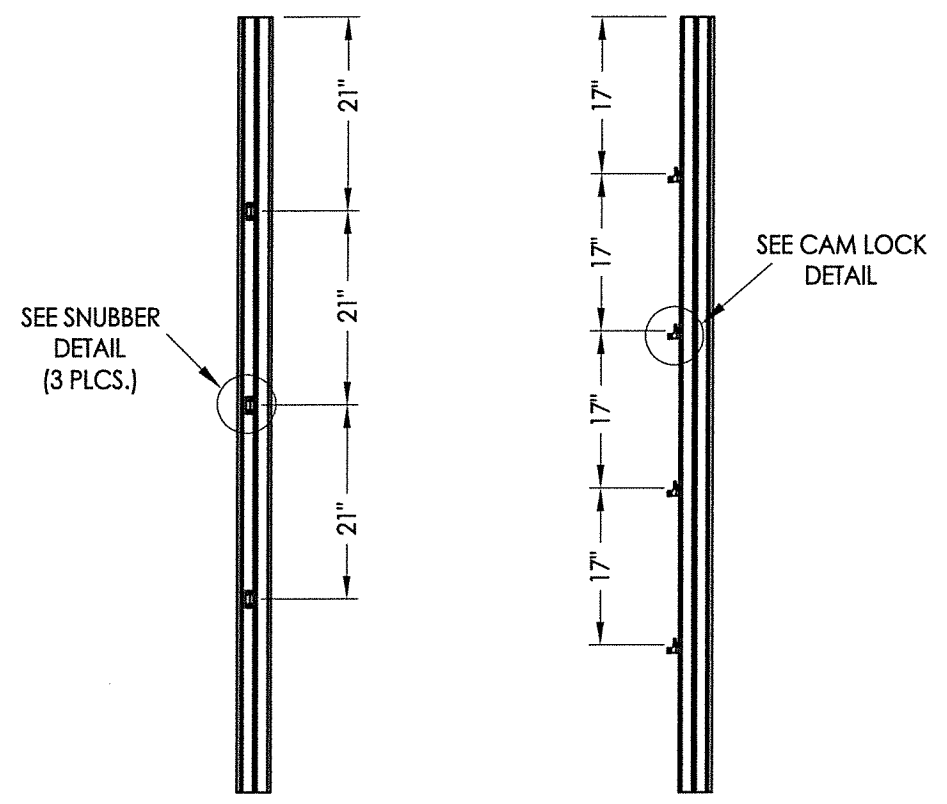
December 7, 2021
 Documents Prepared By:
 Lyndon F. Schmidt
 P.E. No. 43409
 R.W. BUILDING CONSULTANTS, INC.
 P.O. Box 230, Valrico, FL 33595
 Phone No.: 813.659.9197
 FBPE Registry No. 9813

PRODUCT:	FLEETWOOD WINDOWS & DOORS
PART OR ASSEMBLY:	BUCK & FRAME ANCHORING
DATE:	12/01/21
SCALE:	N.T.S.
DWG. BY:	LFS
CHK. BY:	RW
DRAWING NO.:	FL-14904.15
SHEET	6 OF 9



HINGE JAMB
LOCK JAMB
LOCKING POINTS (5)

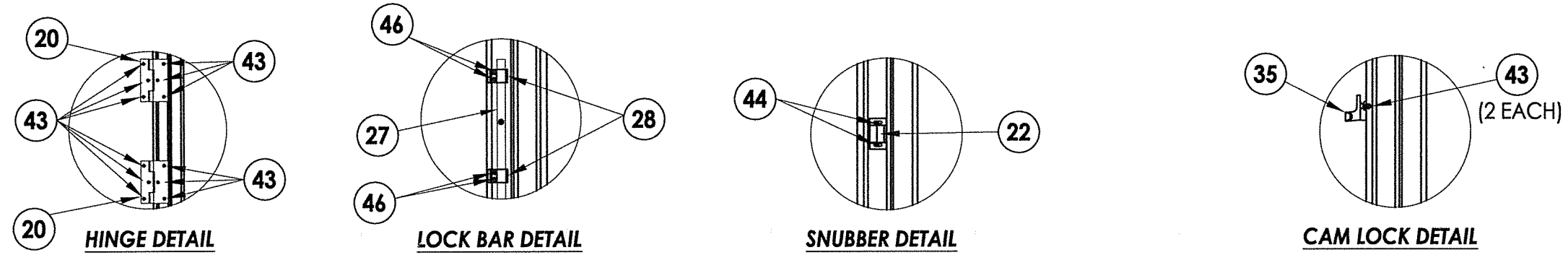
BUTT HINGES w/ MULTIPOINT LOCKING BAR



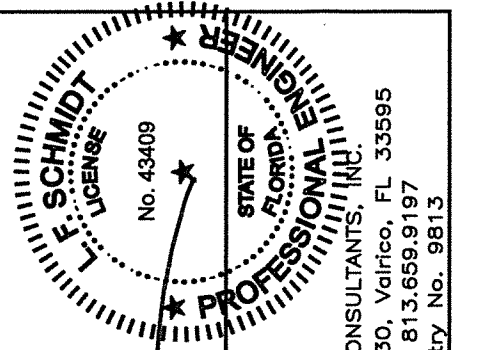
SNUBBERS JAMB
LOCK JAMB
CAM LOCKING POINTS (4)

4 POINT HINGE w/ CAM LOCKS

NOTE: Cam locks can be used in conjunction with the multipoint lock or in lieu of the multipoint lock.



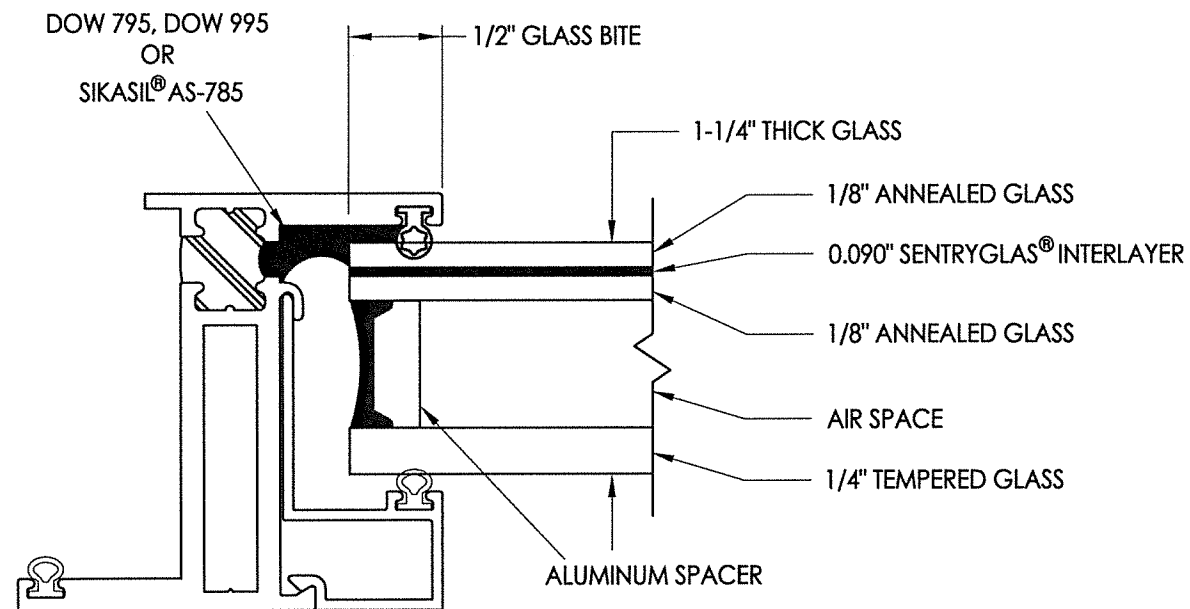
HINGE DETAIL **LOCK BAR DETAIL** **SNUBBER DETAIL** **CAM LOCK DETAIL**



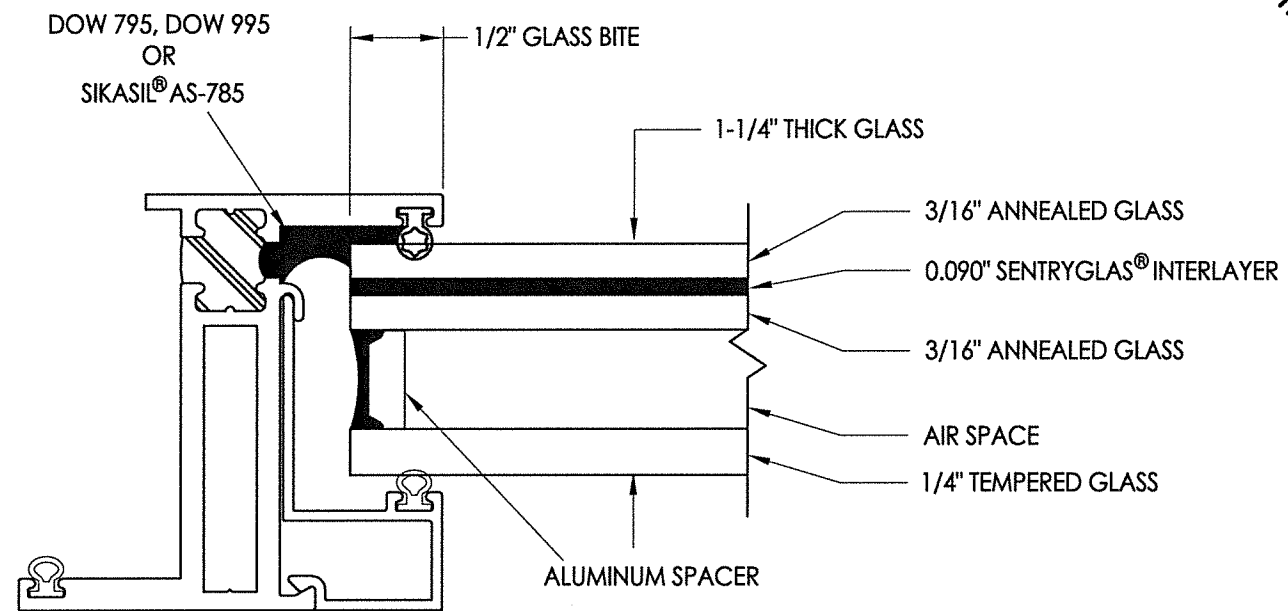
December 7, 2021
 Documents Prepared By:
 Lyndon F. Schmidt
 P.E. No. 43409
 R.W. BUILDING CONSULTANTS, INC.
 P.O. Box 230, Valrico, FL 33595
 Phone No.: 813.659.9197
 FBPE Registry No. 9813

PRODUCT: FLEETWOOD WINDOWS & DOORS		NO.	DATE	BY	REVISIONS
PART OR ASSEMBLY: HARDWARE DETAILS					
DATE: 12/01/21					
SCALE: N.T.S.					
DWG. BY: LFS					
CHK. BY: RW					
DRAWING NO.: FL-14904.15					
SHEET 7 OF 9					

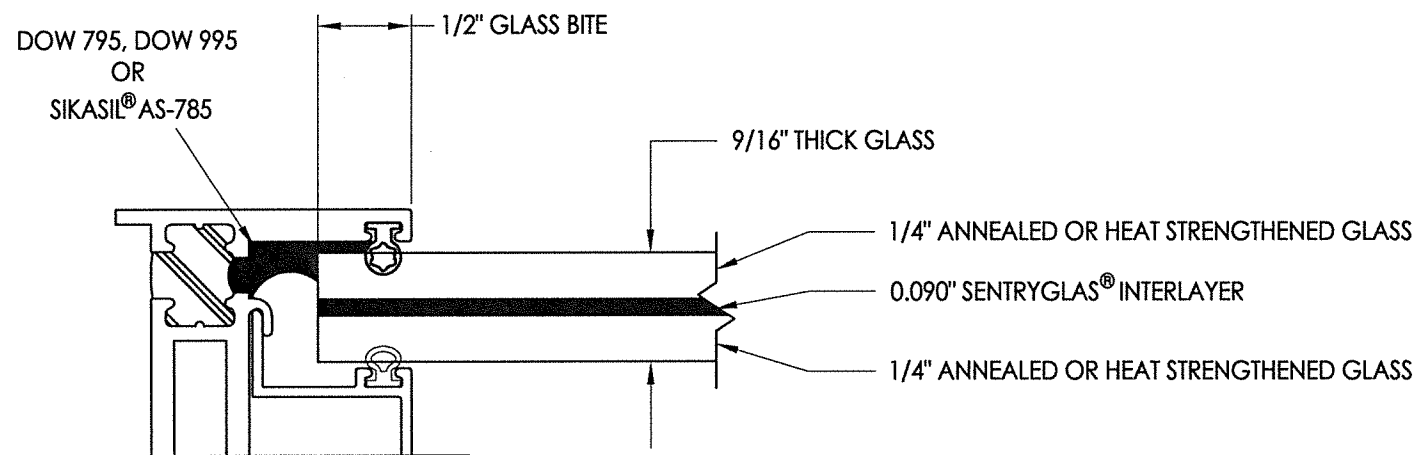
Z:\Clients\Fleetwood PERMANENTVA - Florida Product Approvals\FL-14904 Casement\C - Drawings\FL 14904 (2020) R8\FL-14904.15.dwg



G1 GLAZING DETAIL

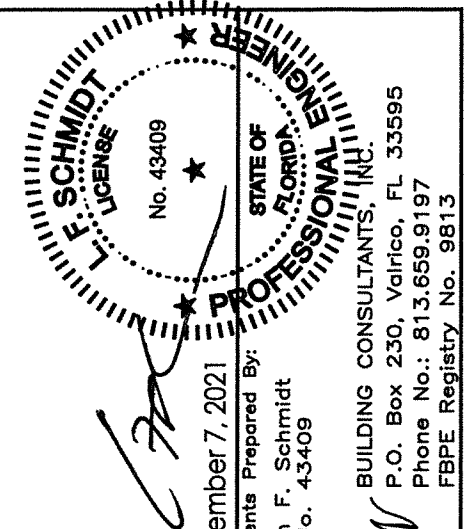


G2 GLAZING DETAIL



G3 GLAZING DETAIL

NOTE: GLAZING > 36" WIDE REQUIRES AT LEAST TWO (2) SETTING BLOCKS CONFORMING TO FBC SECTION 2411.3.3.1.



December 7, 2021
 Documents Prepared By:
 Lyndon F. Schmidt
 P.E. No. 43409

PRODUCT:	FLEETWOOD WINDOWS & DOORS
PART OR ASSEMBLY:	GLAZING DETAILS

NO.	DATE	BY	REVISIONS

DATE:	12/01/21
SCALE:	N.T.S.
DWG. BY:	LFS
CHK. BY:	RW
DRAWING NO.:	FL-14904.15
SHEET	8 OF 9

