



(USE RULER TO SCALE DIMENSIONS IN INCHES)

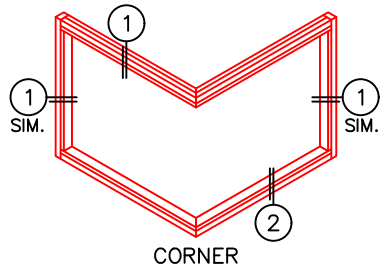
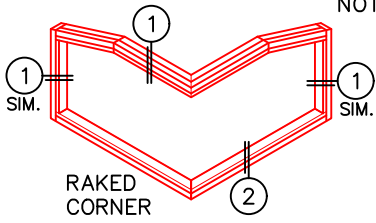
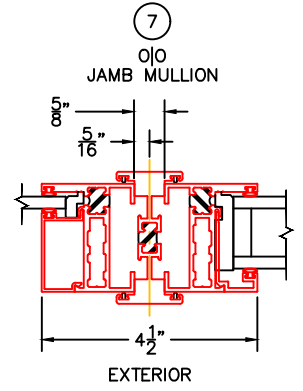
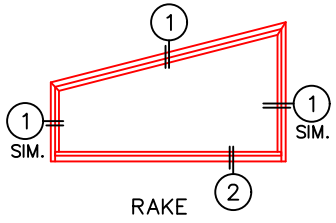
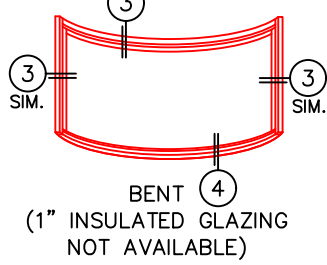
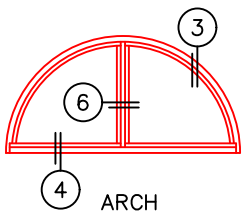
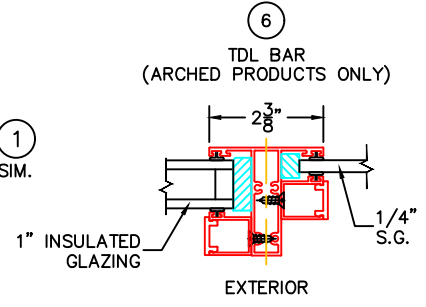
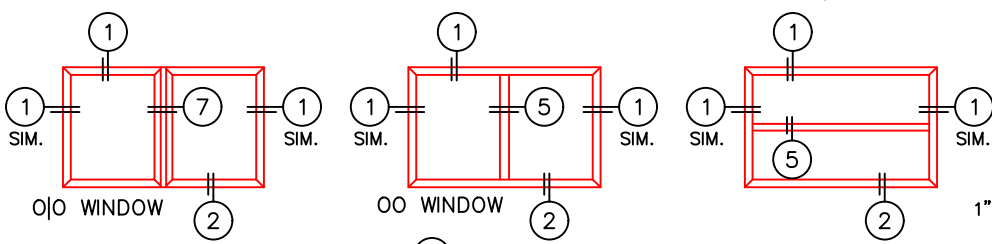
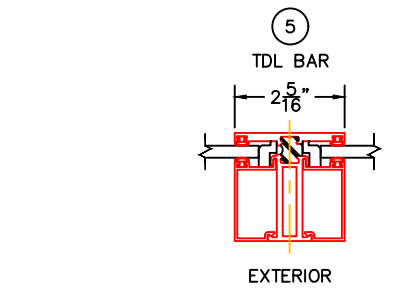
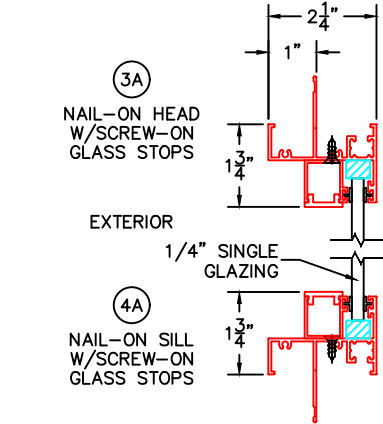
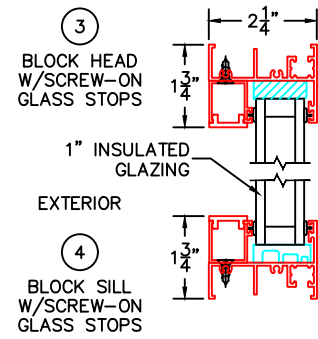
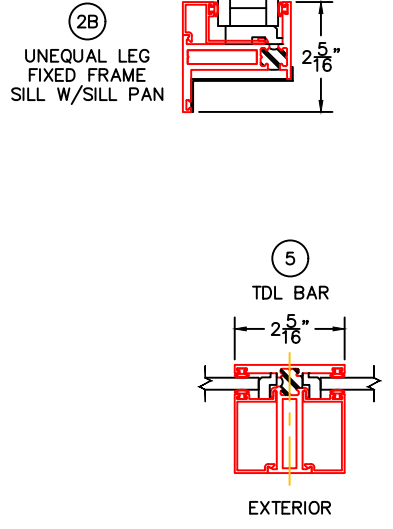
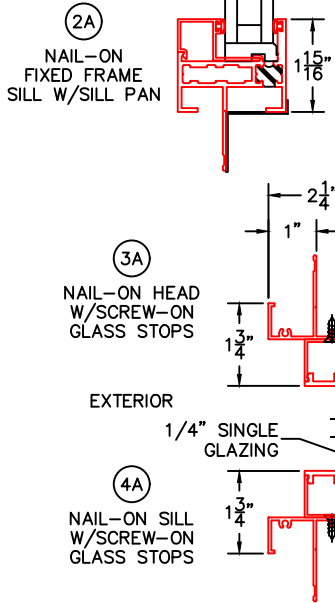
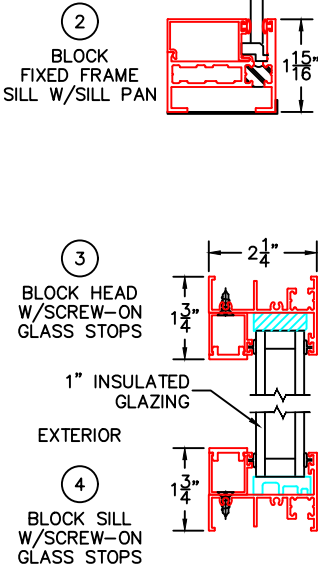
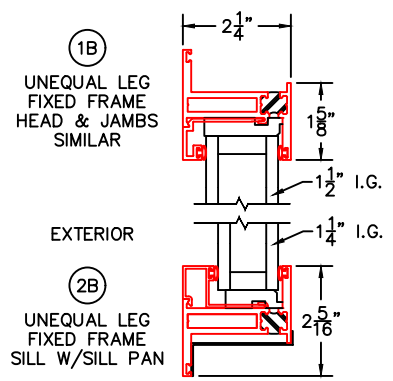
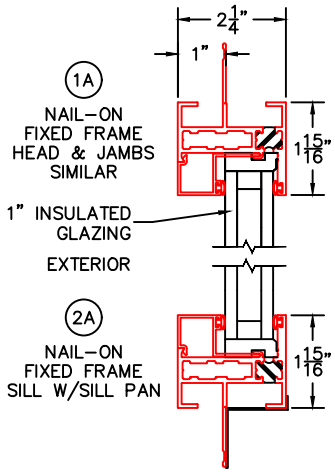
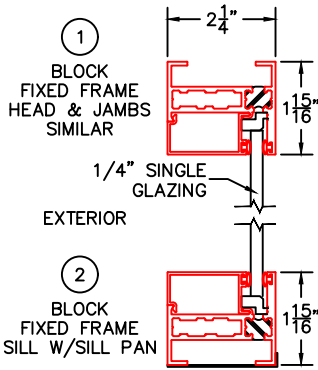
SCALE: 1/4

GLAZED TO FRAME FIXED AND SPECIAL GEOMETRY DETAILS

RAKED & CORNER WINDOWS:1/4", 1/2", 9/16", 5/8", 1", 1-1/4", 1-1/2"

ARCHED WINDOWS:1/4", 1/2", 9/16", 5/8", 1"

BENT WINDOWS:1/2", 9/16"



-GLASS PENETRATION = 1/2"
-EXTERIOR RATED PRODUCTS HAVE WEEP SLOTS ON HORIZONTAL SILLS.

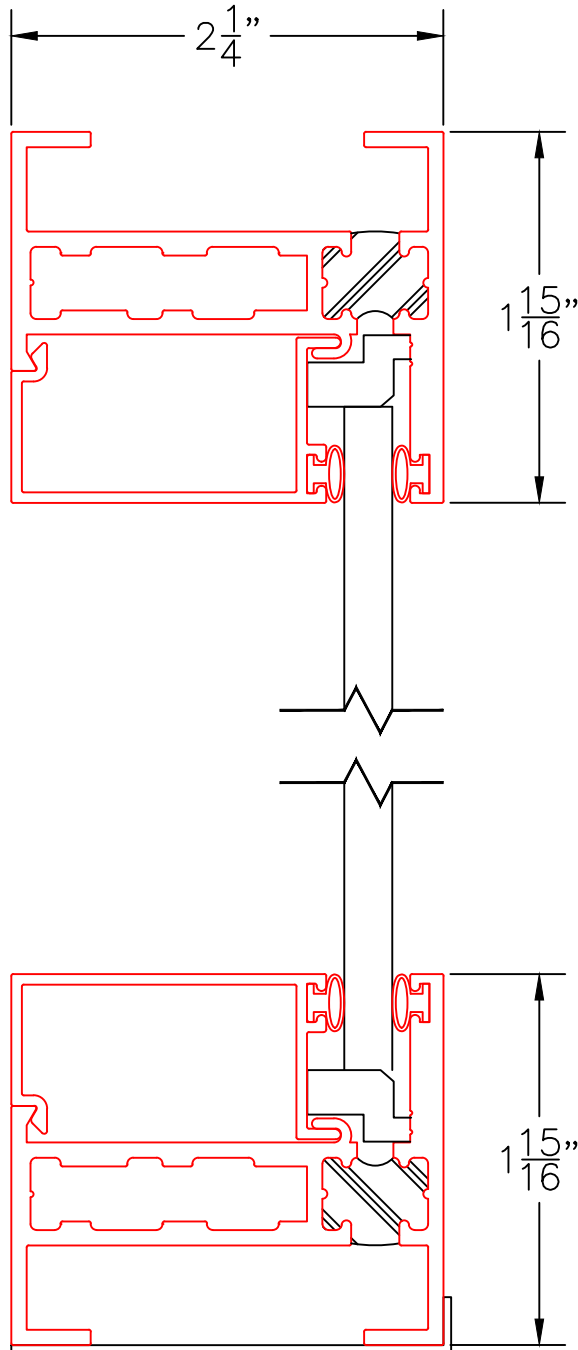
0 0.5 1
(USE RULER TO SCALE DIMENSIONS IN INCHES)
SCALE: FULL

GLAZED TO FRAME FIXED UNIT DETAIL
1/4" SINGLE GLAZING SHOWN

①
BLOCK
FIXED FRAME
HEAD & JAMBS
SIMILAR

EXTERIOR

②
BLOCK
FIXED FRAME
SILL W/ SILL PAN



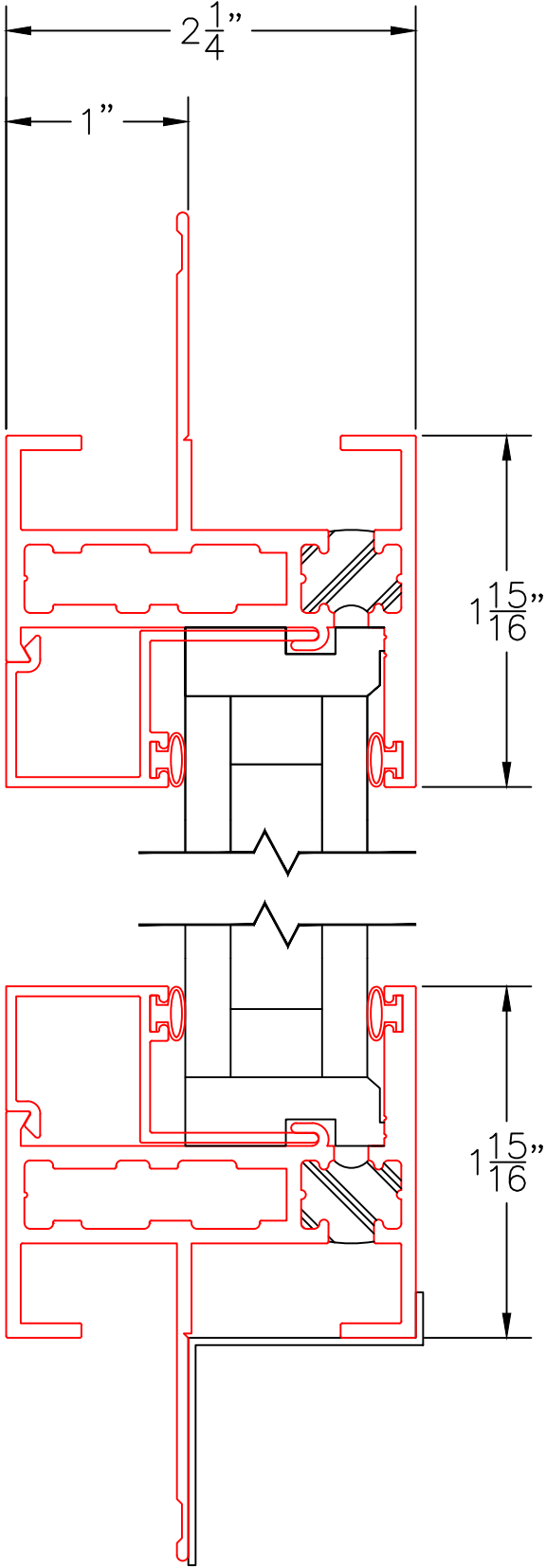
0 0.5 1
(USE RULER TO SCALE DIMENSIONS IN INCHES)
SCALE: FULL

GLAZED TO FRAME FIXED UNIT DETAIL
1" INSULATED GLAZING SHOWN

(1A)
NAIL-ON
FIXED FRAME
HEAD & JAMBS
SIMILAR

EXTERIOR

(2A)
NAIL-ON
FIXED FRAME
SILL W/ SILL PAN



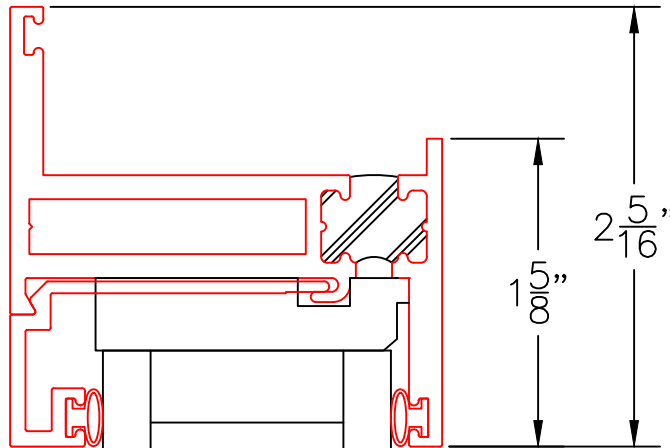
0 0.5 1
(USE RULER TO SCALE DIMENSIONS IN INCHES)

GLAZED TO FRAME FIXED UNIT DETAIL
1-1/4" & 1-1/2" INSULATED GLAZING SHOWN

SCALE: FULL

1B

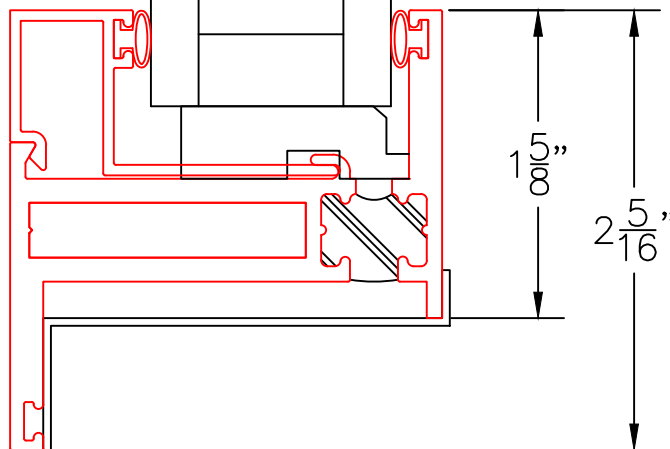
UNEQUAL LEG
FIXED FRAME
HEAD & JAMBS
SIMILAR

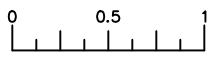


EXTERIOR

2B

UNEQUAL LEG
FIXED FRAME
SILL W/ SILL PAN





(USE RULER TO SCALE DIMENSIONS IN INCHES)

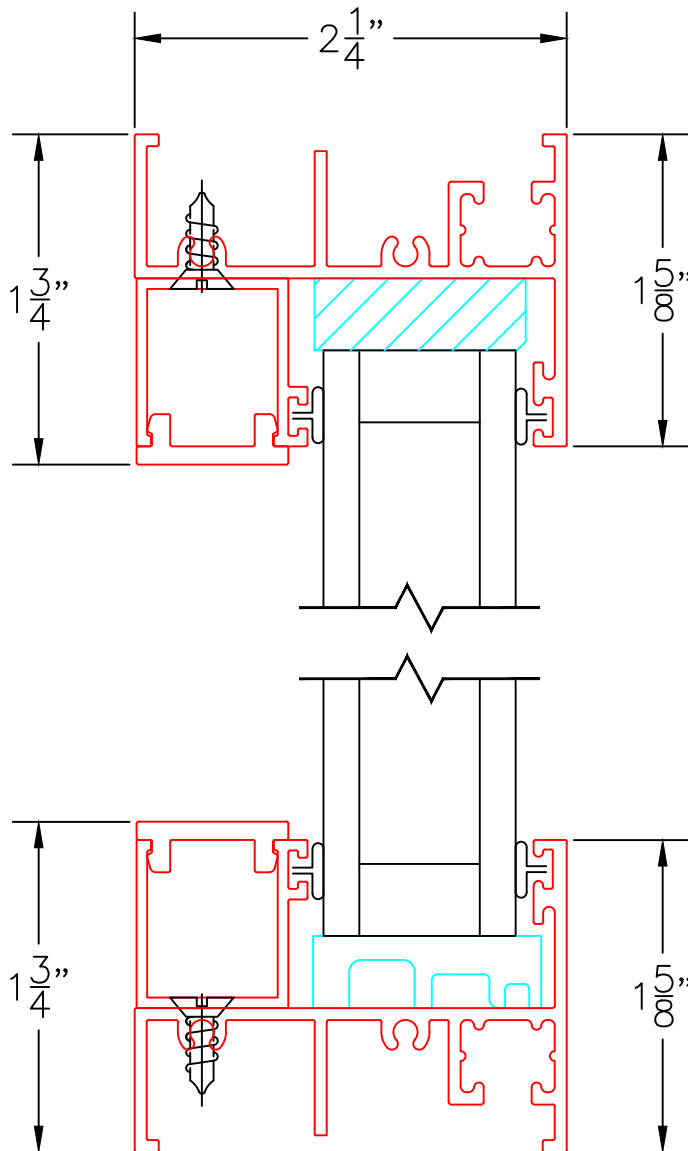
SCALE: FULL

GLAZED TO FRAME ARCHED & BENT DETAIL
1" INSULATED GLAZING SHOWN

③
BLOCK HEAD
W/SCREW-ON
GLASS STOPS

EXTERIOR

④
BLOCK SILL
W/SCREW-ON
GLASS STOPS



0 0.5 1
(USE RULER TO SCALE DIMENSIONS IN INCHES)

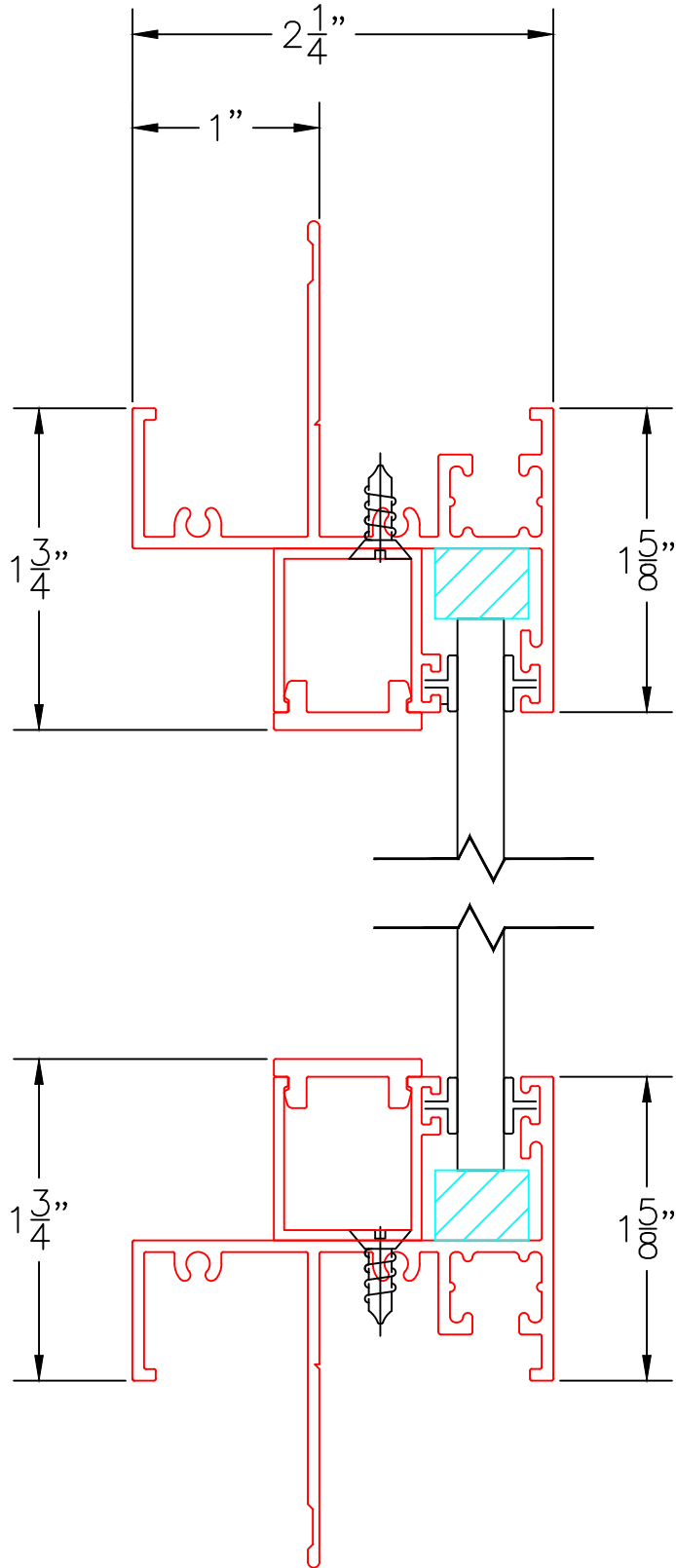
GLAZED TO FRAME ARCHED & BENT DETAIL
1/4" SINGLE GLAZING SHOWN

SCALE: FULL

(3A)
NAIL-ON HEAD
W/SCREW-ON
GLASS STOPS

EXTERIOR

(4A)
NAIL-ON SILL
W/SCREW-ON
GLASS STOPS

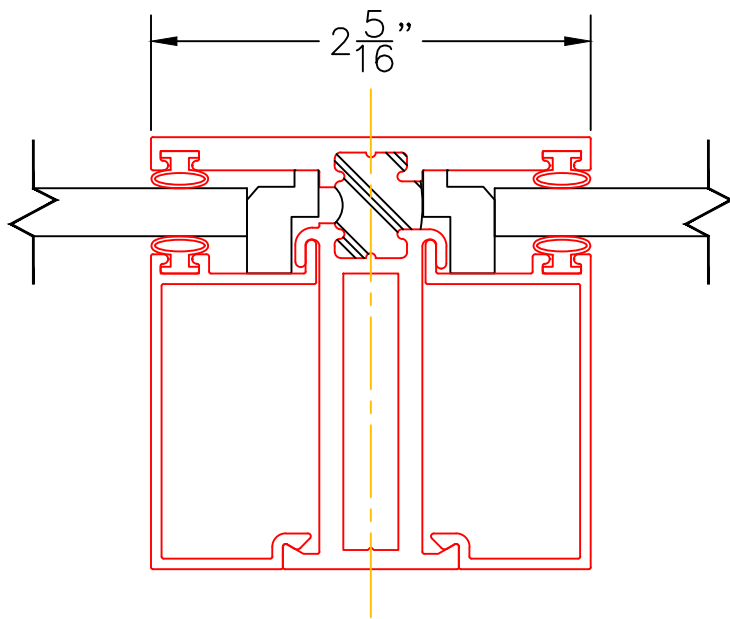


0 0.5 1
(USE RULER TO SCALE DIMENSIONS IN INCHES)
SCALE: FULL

GLAZED TO FRAME FIXED UNIT DETAIL
1/4" SINGLE GLAZING SHOWN

5

00
TDL BAR



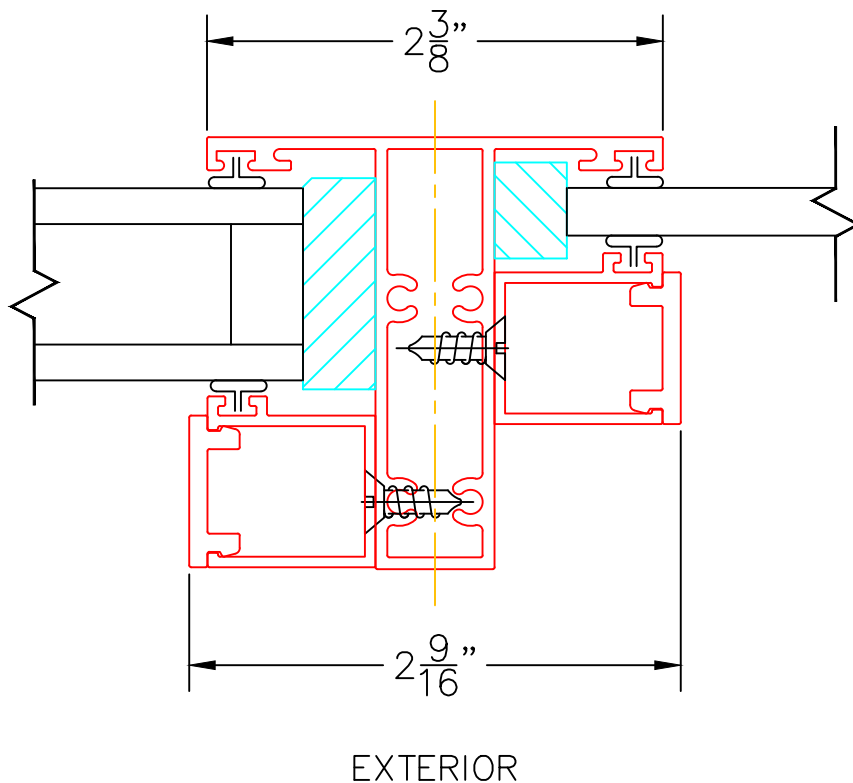
EXTERIOR

0 0.5 1
(USE RULER TO SCALE DIMENSIONS IN INCHES)
SCALE: FULL

GLAZED TO FRAME FIXED UNIT DETAIL
1/4" AND 1" GLAZING SHOWN

6

00
TDL BAR
(ARCHED PRODUCTS ONLY)

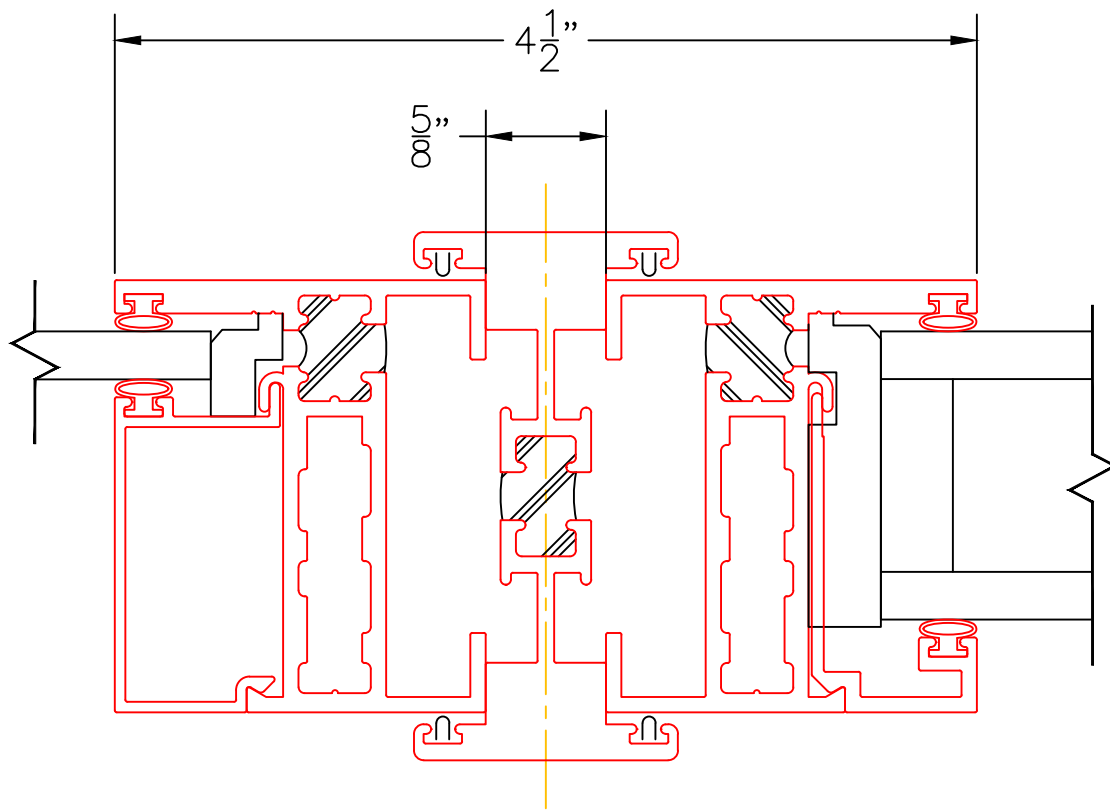


0 0.5 1
(USE RULER TO SCALE DIMENSIONS IN INCHES)
SCALE: FULL

GLAZED TO FRAME FIXED UNIT DETAIL
1/4" & 1-1/2" GLAZING SHOWN

7

OIO
JAMB MULLION



EXTERIOR