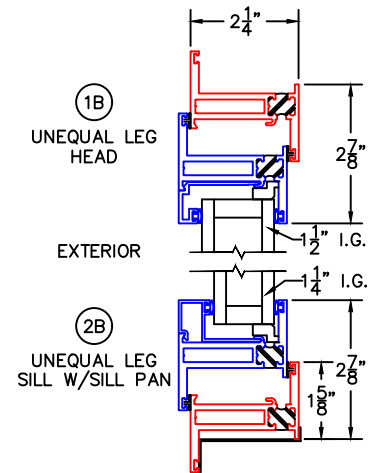
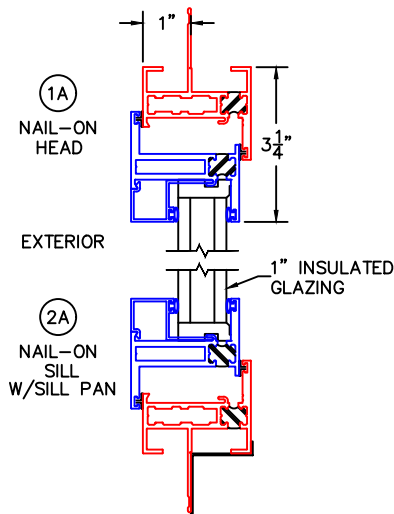
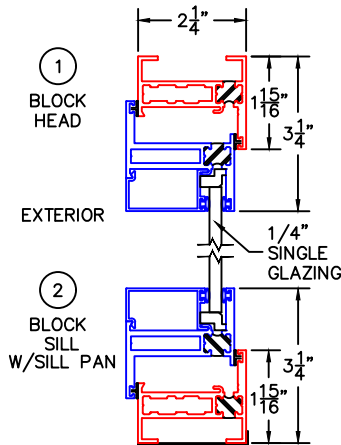


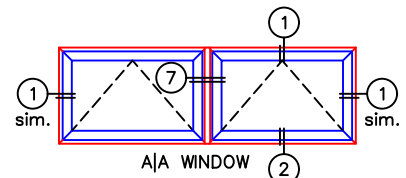
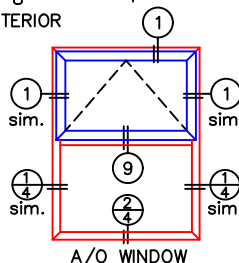
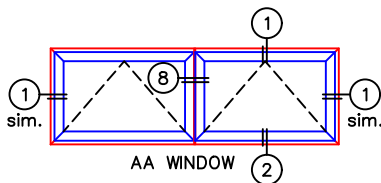
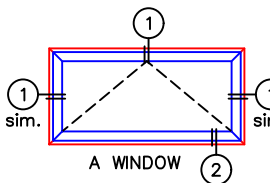
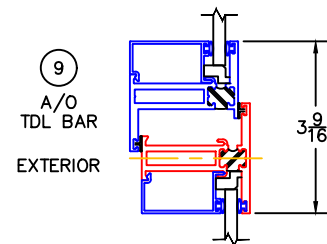
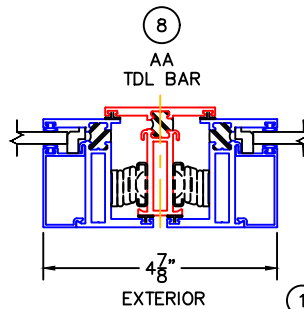
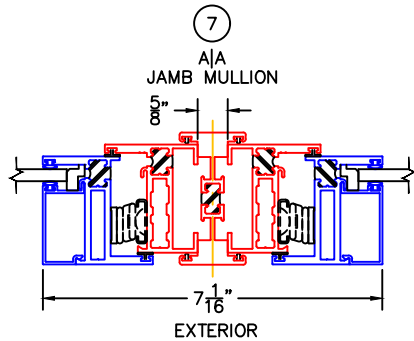
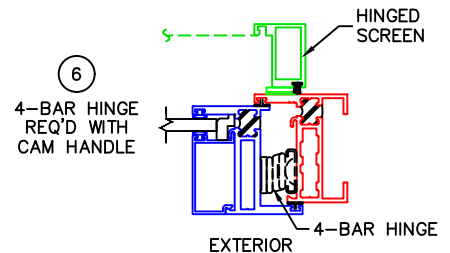
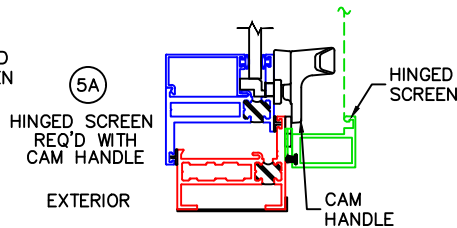
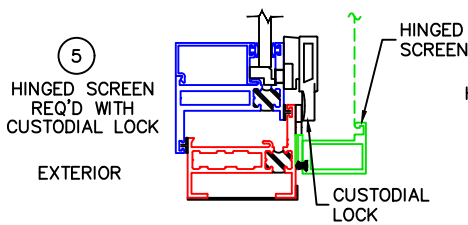
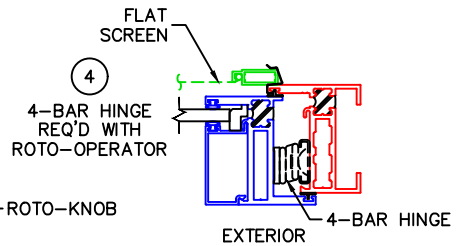
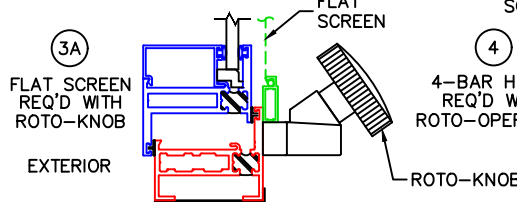
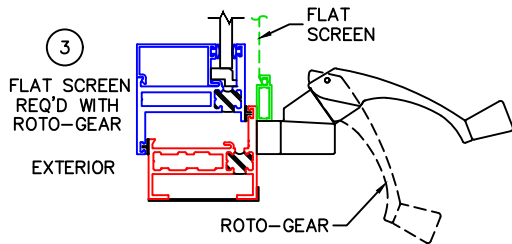
(USE RULER TO SCALE DIMENSIONS IN INCHES)

SCALE: 1/4"

AWNING WINDOW DETAILS
1/4", 1", 1-1/4" AND 1-1/2"
OUTSIDE GLAZING SHOWN



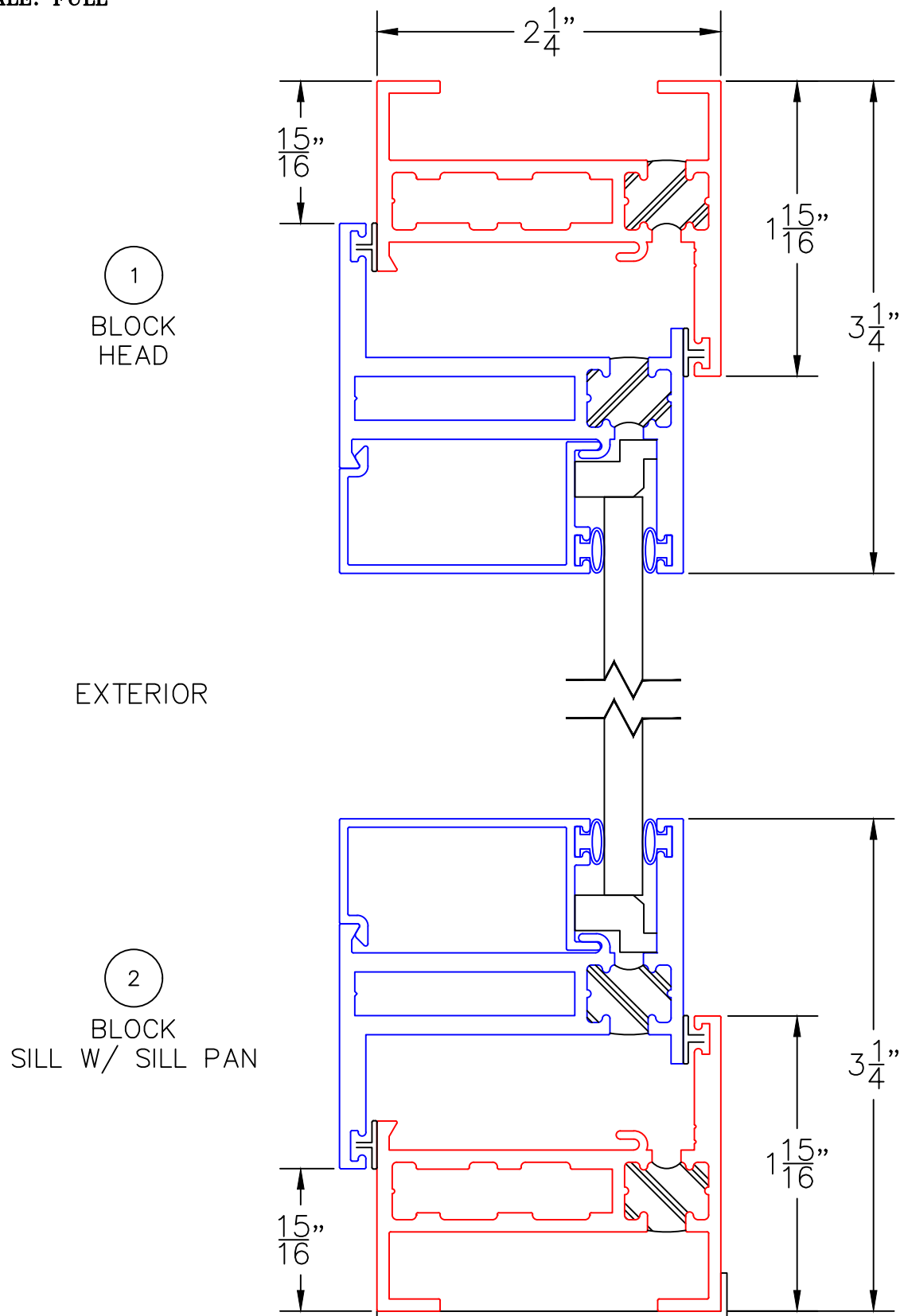
HARDWARE OPTIONS



-GLASS PENETRATION: 1/2"
-EXTERIOR RATED PRODUCTS HAVE WEEP SLOTS ON HORIZONTAL SILLS.

0 0.5 1
(USE RULER TO SCALE DIMENSIONS IN INCHES)
SCALE: FULL

AWNING WINDOW DETAILS
1/4" SINGLE GLAZING SHOWN

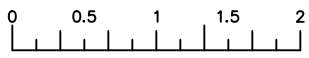


1
BLOCK
HEAD

EXTERIOR

2
BLOCK
SILL W/ SILL PAN

INTERIOR



(USE RULER TO SCALE DIMENSIONS IN INCHES)

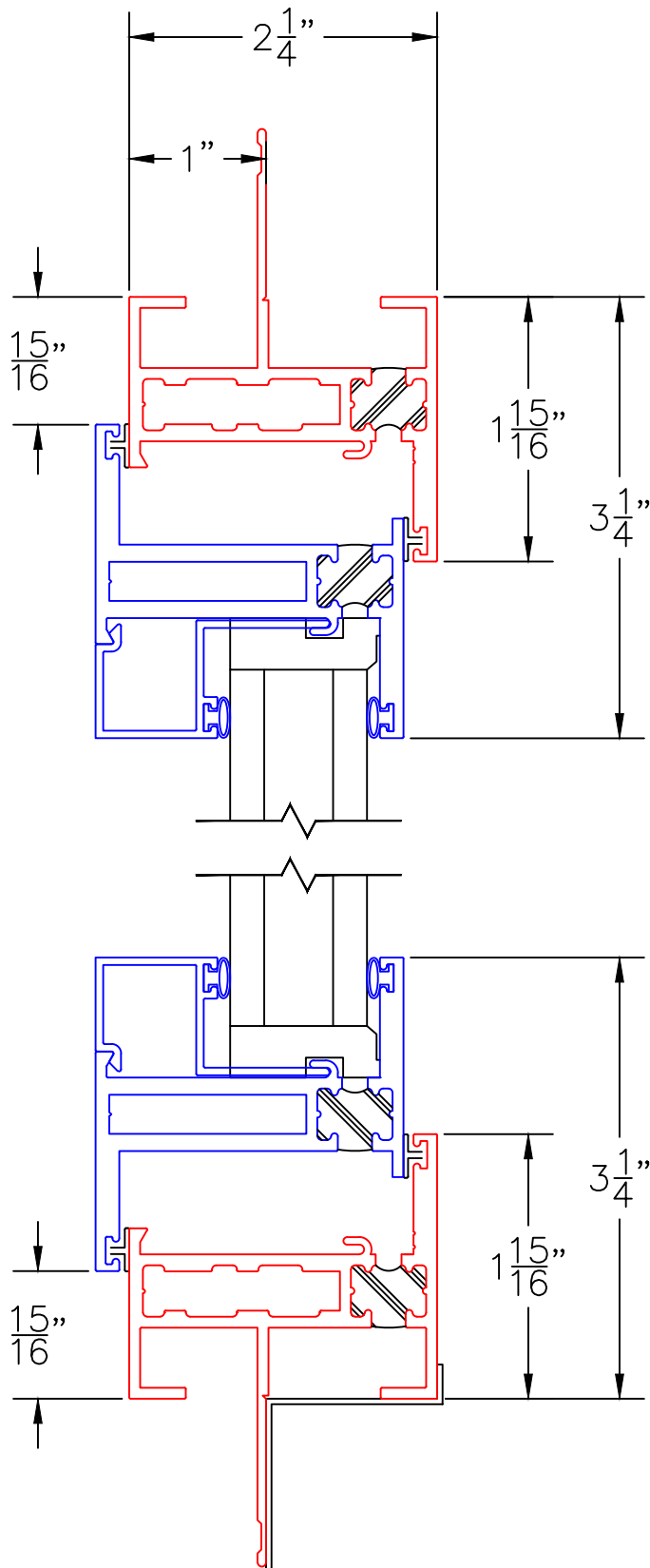
SCALE: 3/4

AWNING WINDOW DETAILS
1" INSULATED GLAZING SHOWN

1A
NAIL-ON
HEAD

EXTERIOR

2A
NAIL-ON
SILL W/ SILL PAN



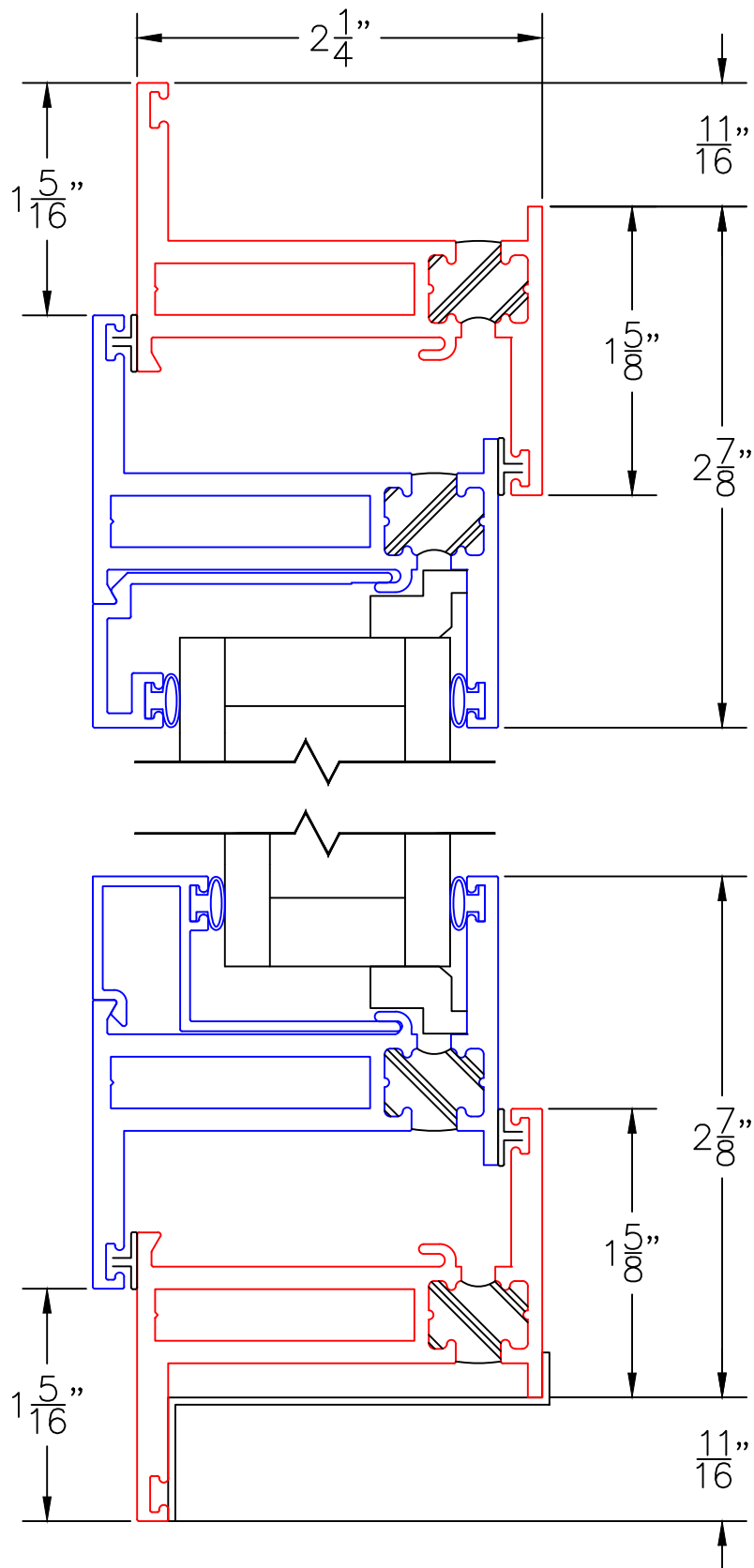
0 0.5 1
(USE RULER TO SCALE DIMENSIONS IN INCHES)
SCALE: FULL

AWNING WINDOW DETAILS
1-1/4" AND 1-1/2"
INSULATED GLAZING SHOWN

1B
UNEQUAL LEG
HEAD

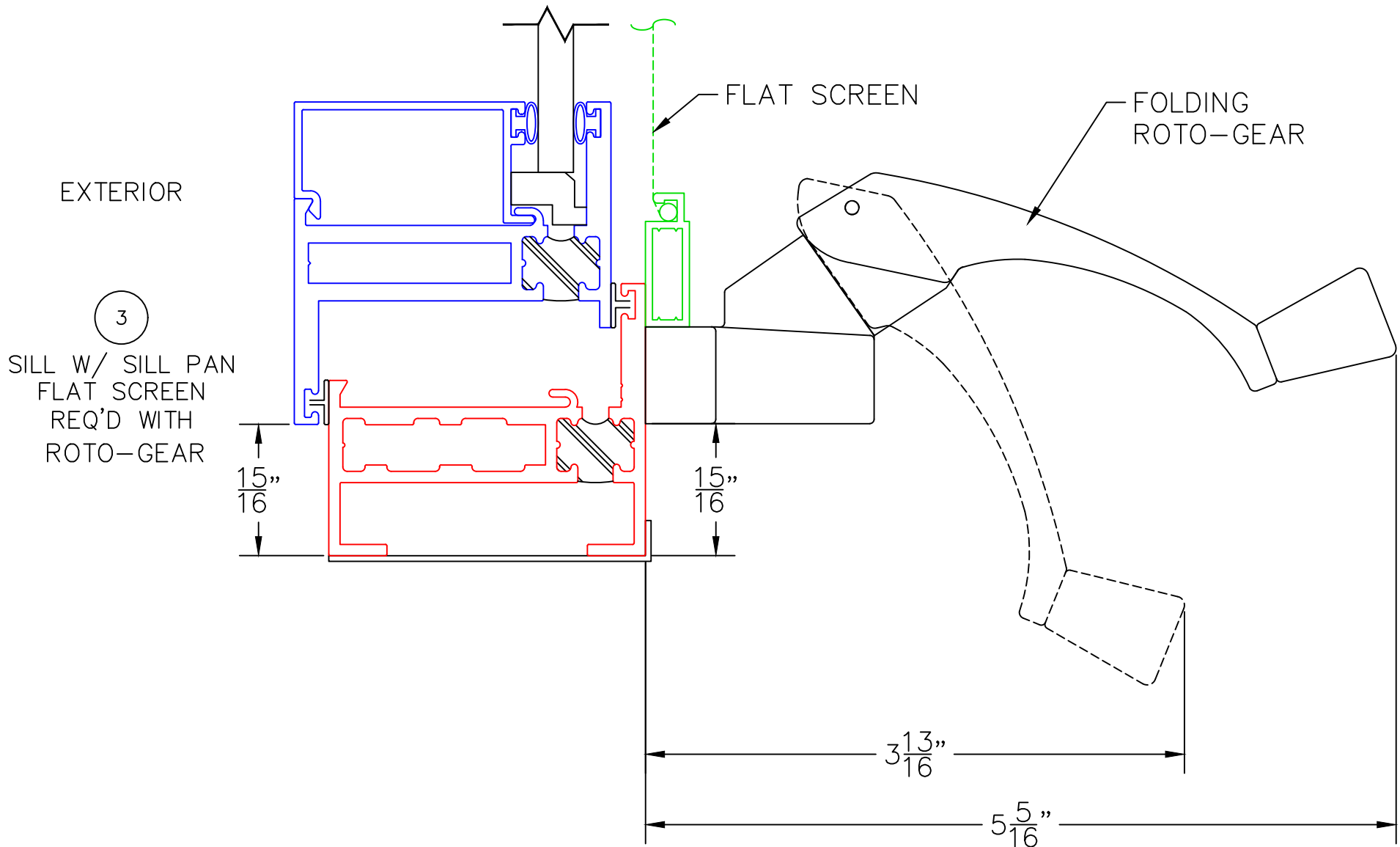
EXTERIOR

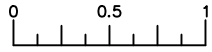
2B
UNEQUAL LEG
SILL W/ SILL PAN



0 0.5 1
(USE RULER TO SCALE DIMENSIONS IN INCHES)
SCALE: FULL

AWNING WINDOW DETAILS 1/4" SINGLE GLAZING SHOWN

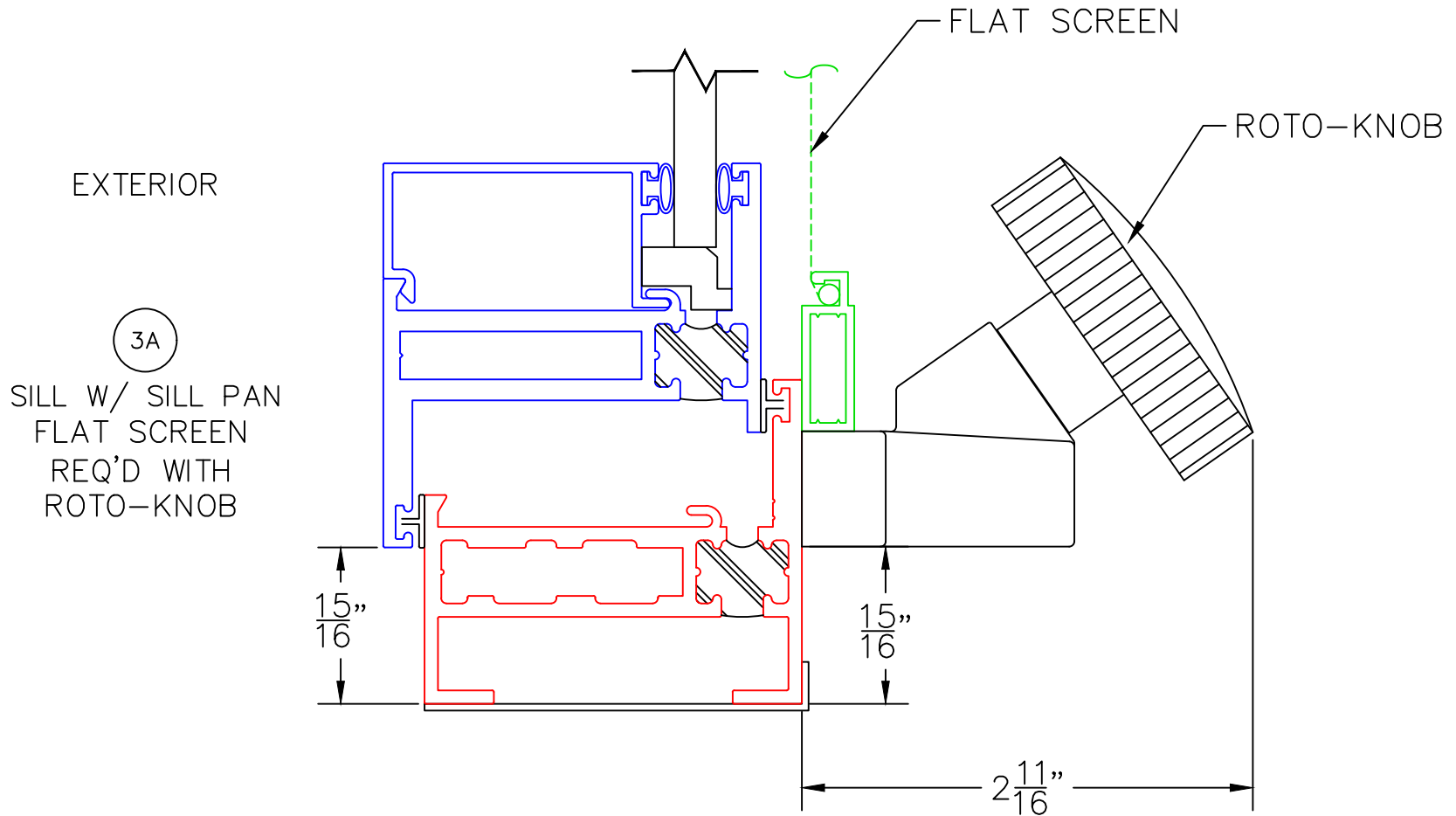




(USE RULER TO SCALE DIMENSIONS IN INCHES)

SCALE: FULL

AWNING WINDOW DETAILS 1/4" SINGLE GLAZING SHOWN

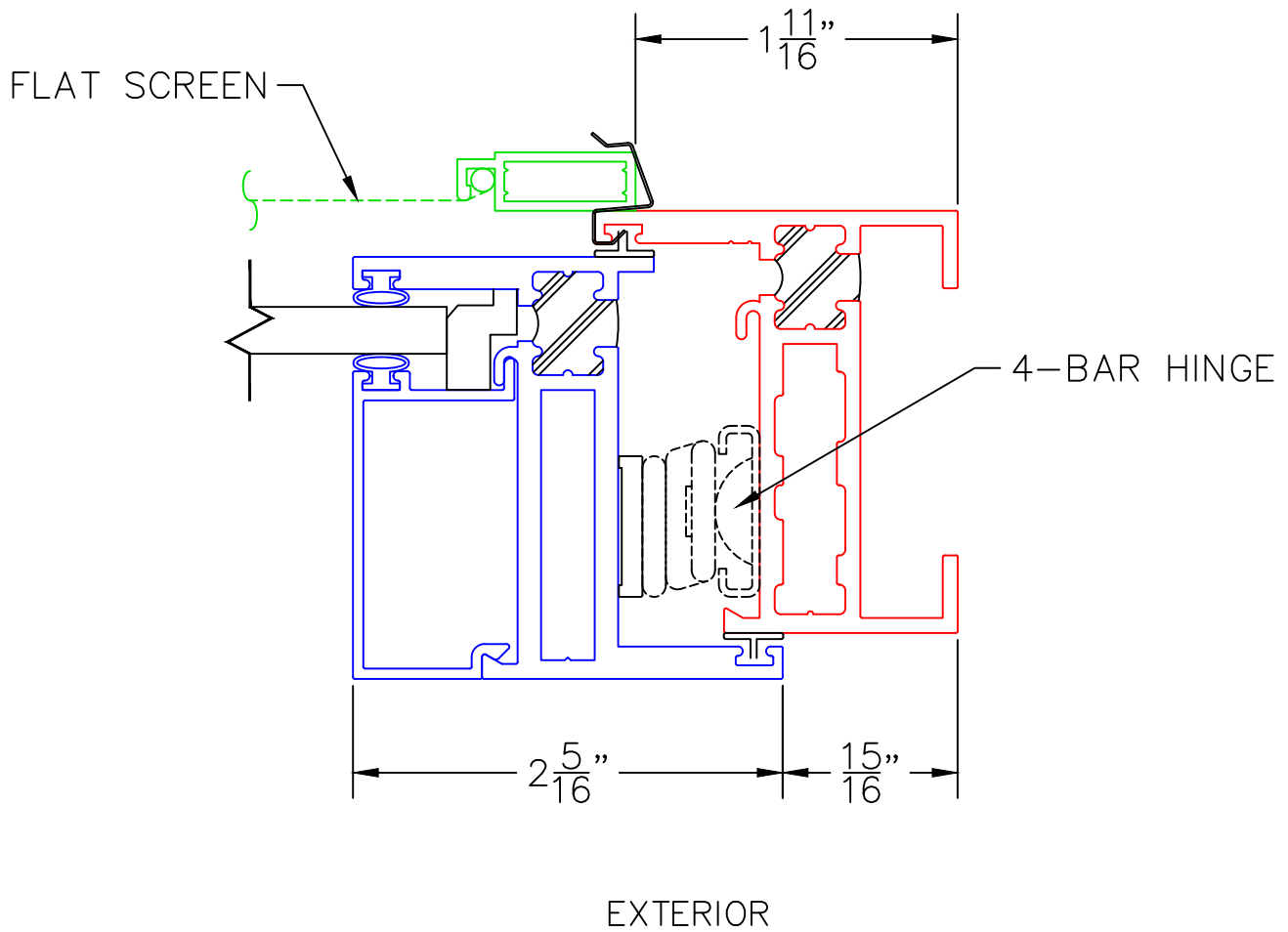


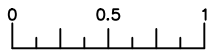
0 0.5 1
(USE RULER TO SCALE DIMENSIONS IN INCHES)
SCALE: FULL

AWNING WINDOW DETAILS
1/4" SINGLE GLAZING SHOWN

4

JAMB
4-BAR HINGE
REQ'D WITH
ROTO-OPERATOR

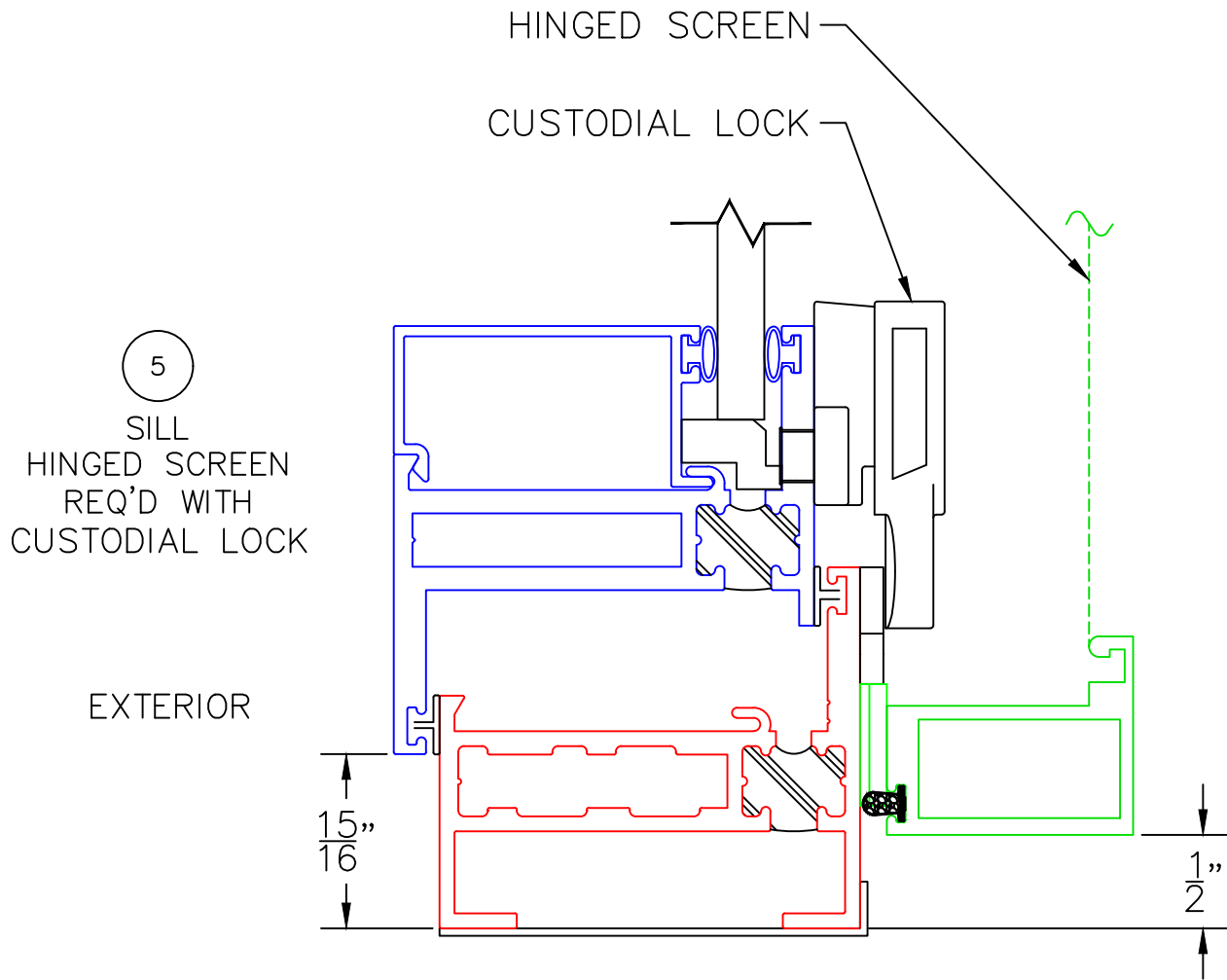


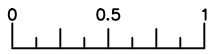


(USE RULER TO SCALE DIMENSIONS IN INCHES)

SCALE: FULL

AWNING WINDOW DETAILS
1/4" SINGLE GLAZING SHOWN

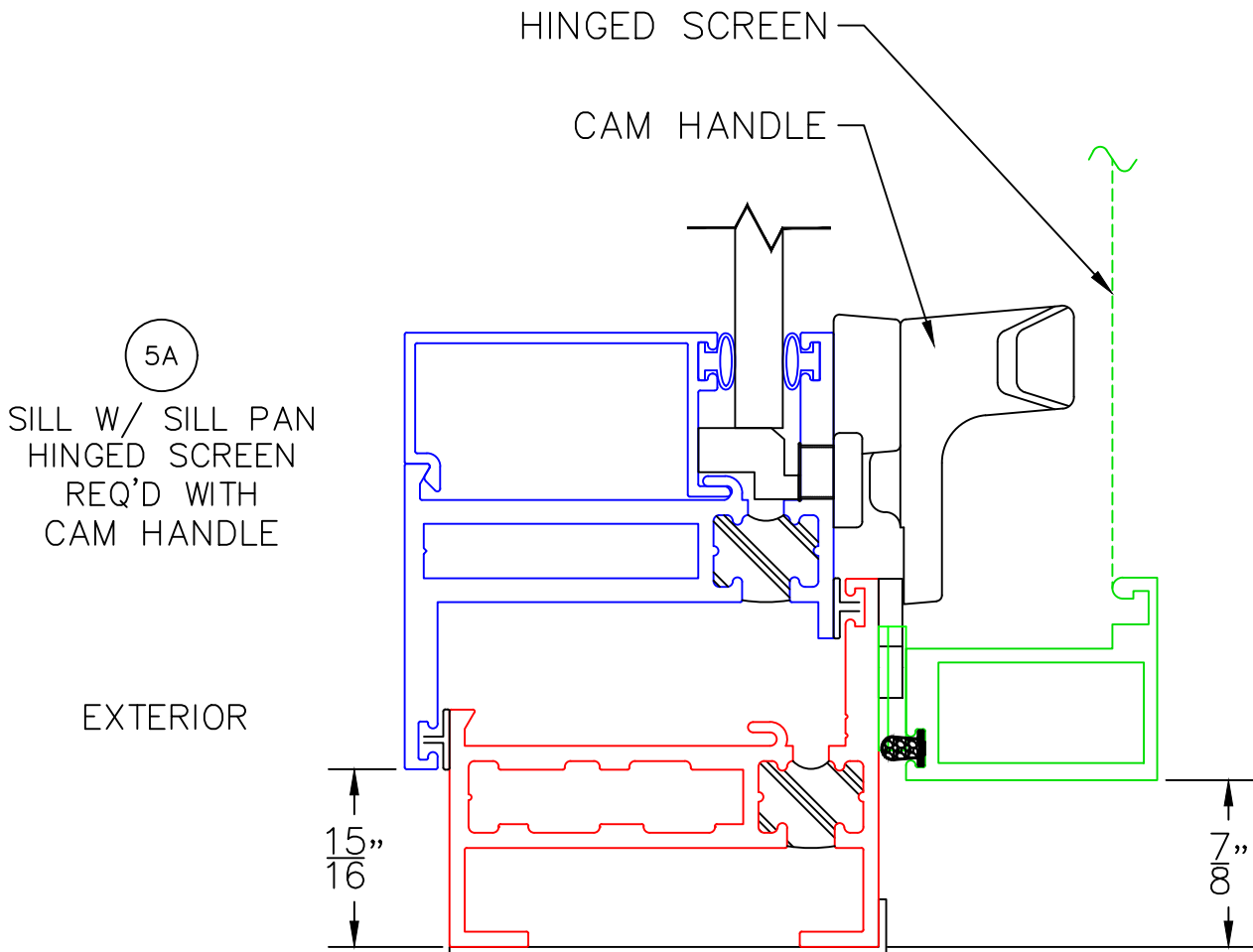




(USE RULER TO SCALE DIMENSIONS IN INCHES)

SCALE: FULL

AWNING WINDOW DETAILS
1/4" SINGLE GLAZING SHOWN

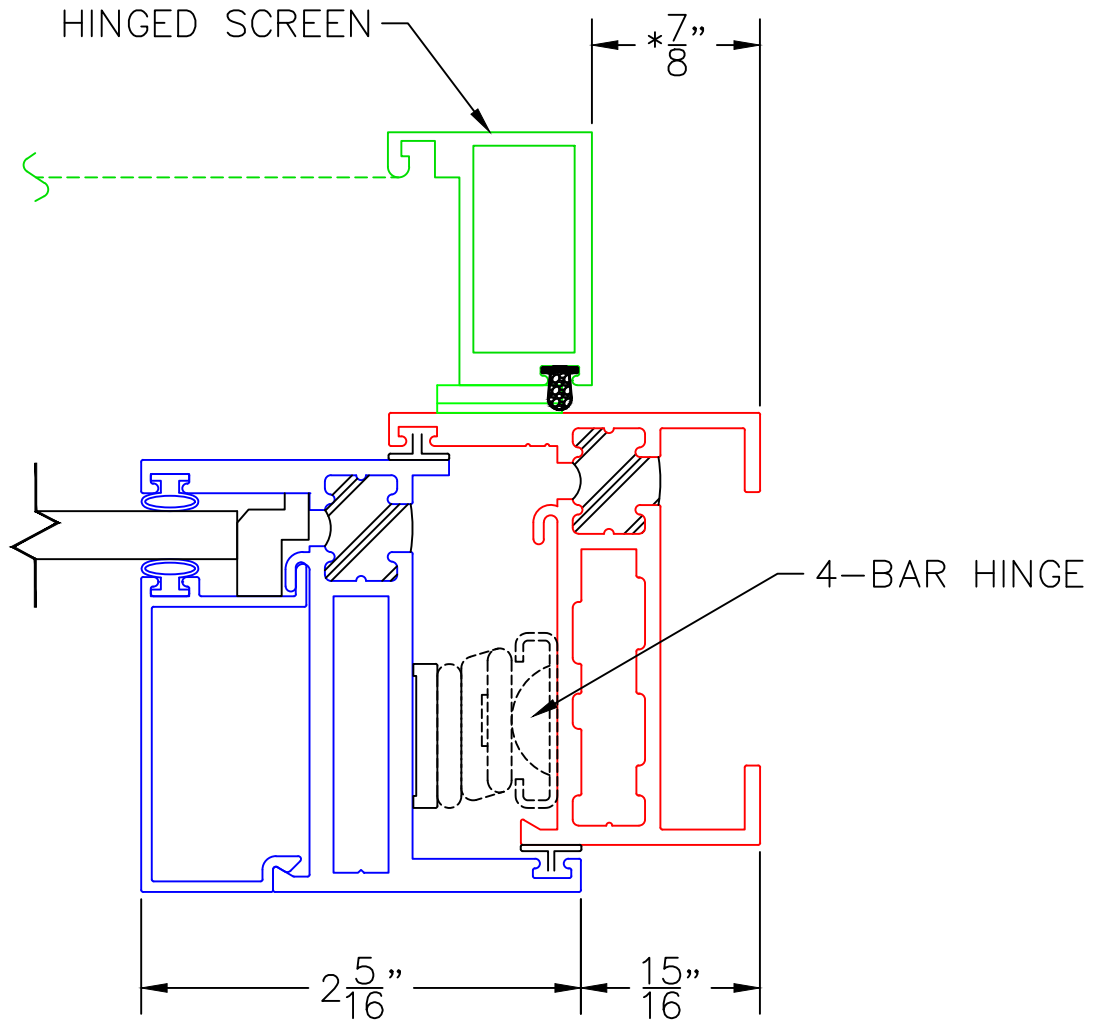


0 0.5 1
(USE RULER TO SCALE DIMENSIONS IN INCHES)
SCALE: FULL

AWNING WINDOW DETAILS
1/4" SINGLE GLAZING SHOWN

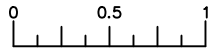
6

JAMB
4-BAR HINGE
REQ'D WITH
CAM HANDLE



*NOTE: 1/2" CLEARANCE WITH MULTI-POINT LOCK AT JAMB

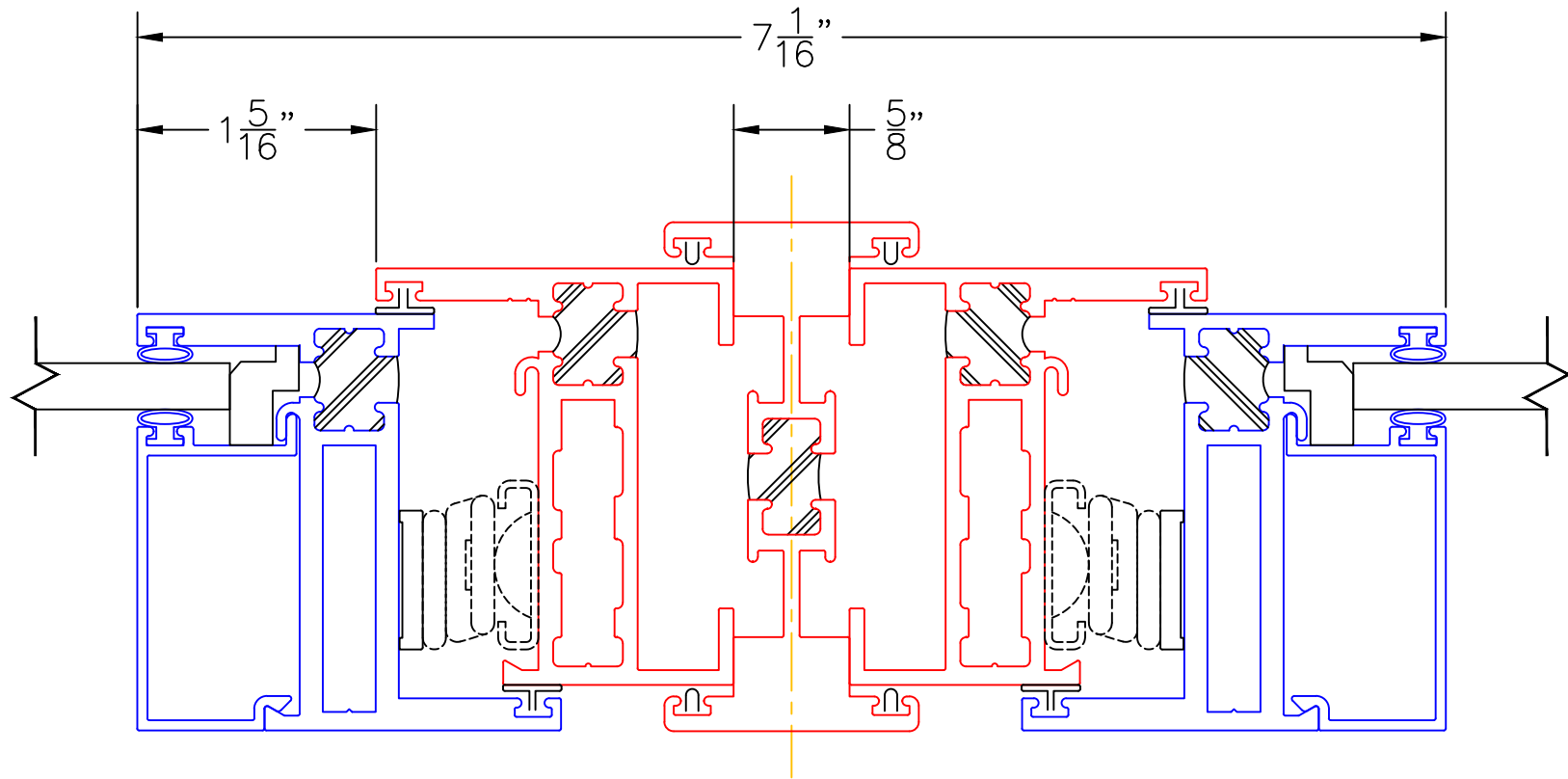
AWNING WINDOW DETAILS 1/4" SINGLE GLAZING SHOWN



(USE RULER TO SCALE DIMENSIONS IN INCHES)

SCALE: FULL

7
A|A
JAMB MULLION



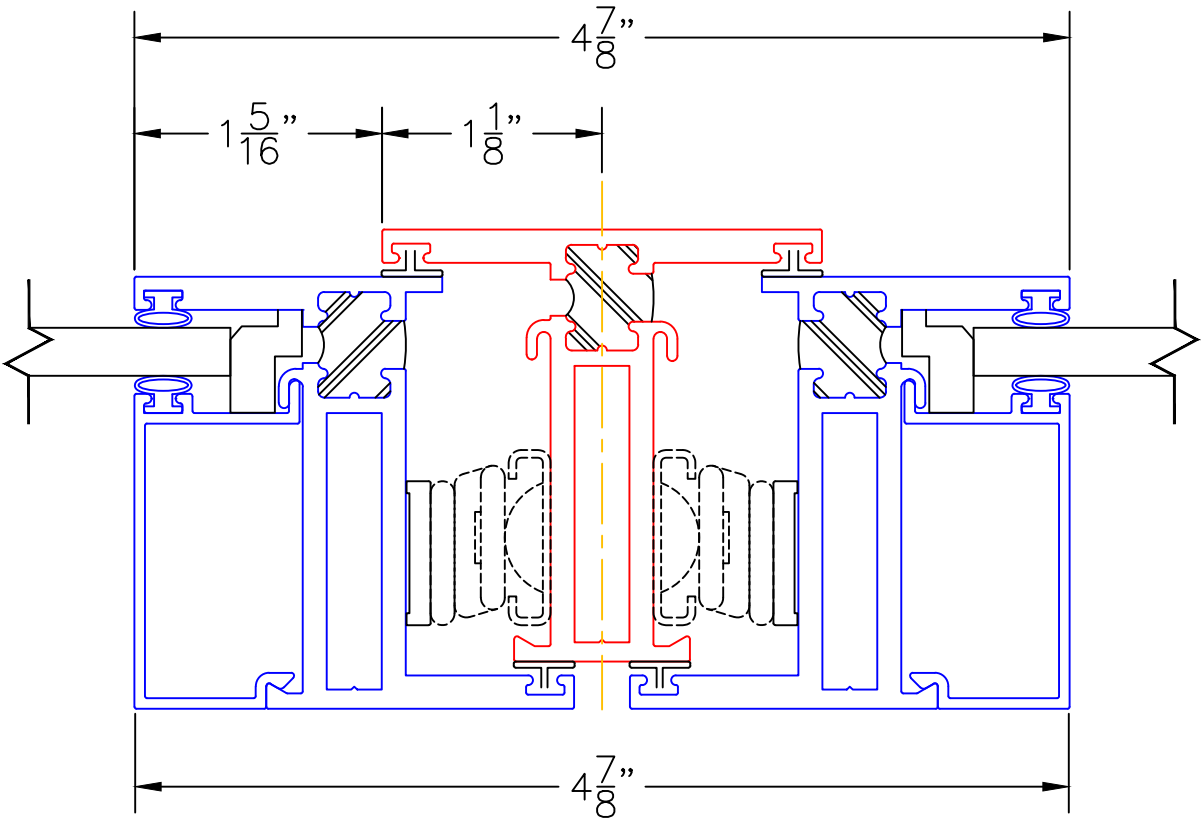
EXTERIOR

0 0.5 1
(USE RULER TO SCALE DIMENSIONS IN INCHES)
SCALE: FULL

AWNING WINDOW DETAILS
1/4" SINGLE GLAZING SHOWN

8

AA
TDL BAR



EXTERIOR

0 0.5 1
(USE RULER TO SCALE DIMENSIONS IN INCHES)
SCALE: FULL

AWNING WINDOW DETAILS
1/4" SINGLE GLAZING SHOWN

EXTERIOR

9
A/O
TDL BAR

