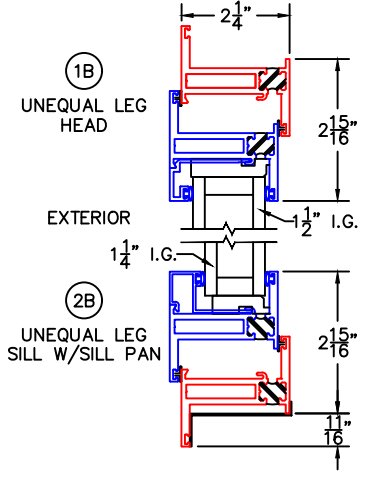
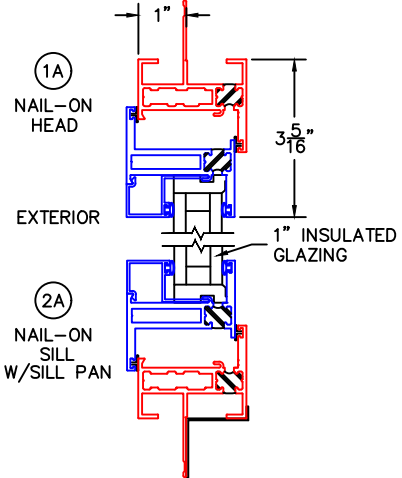
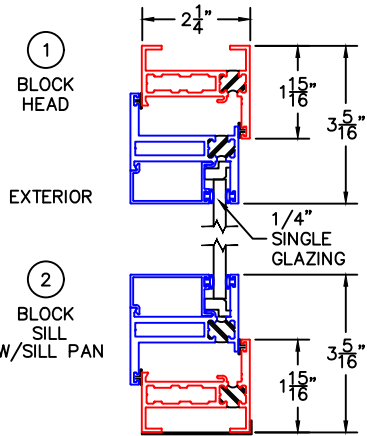
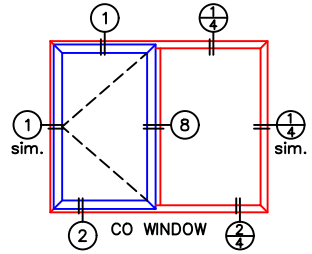
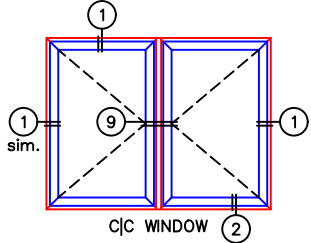
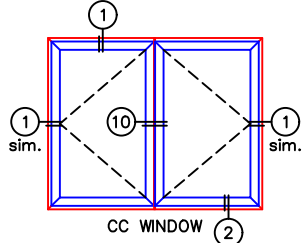
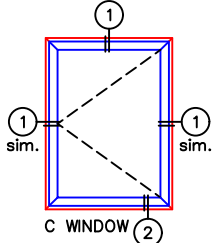
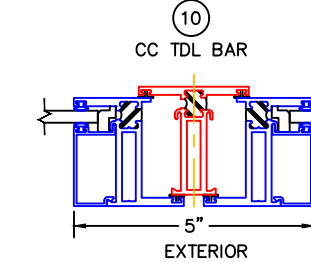
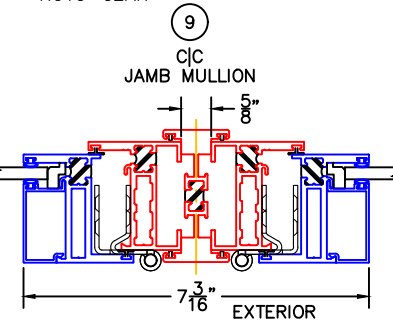
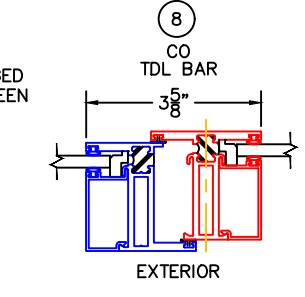
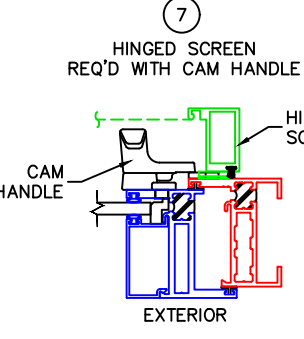
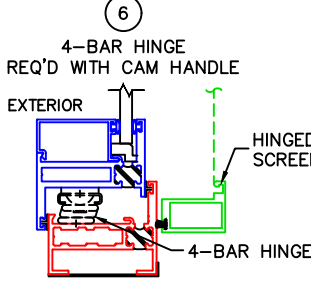
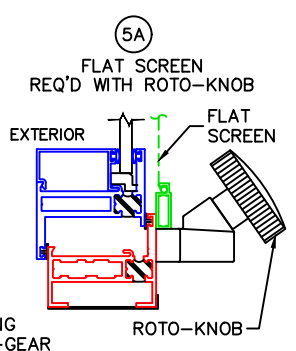
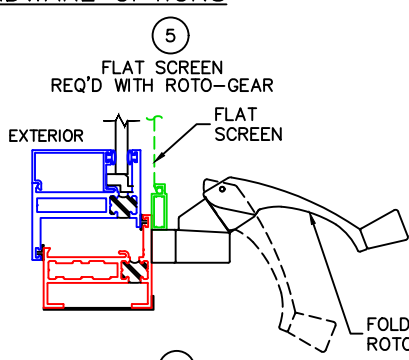
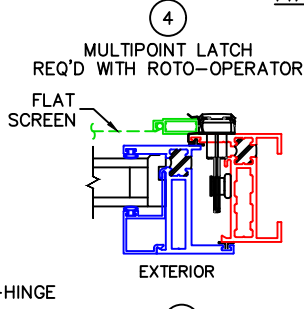
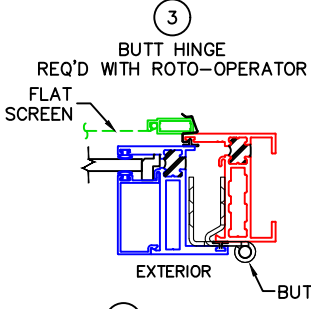


(USE RULER TO SCALE DIMENSIONS IN INCHES)  
**SCALE: 1/4**

**CASEMENT WINDOW DETAILS**  
1/4" SINGLE, 1", 1-1/4" AND  
1-1/2" INSULATED GLAZING SHOWN



**HARDWARE OPTIONS**

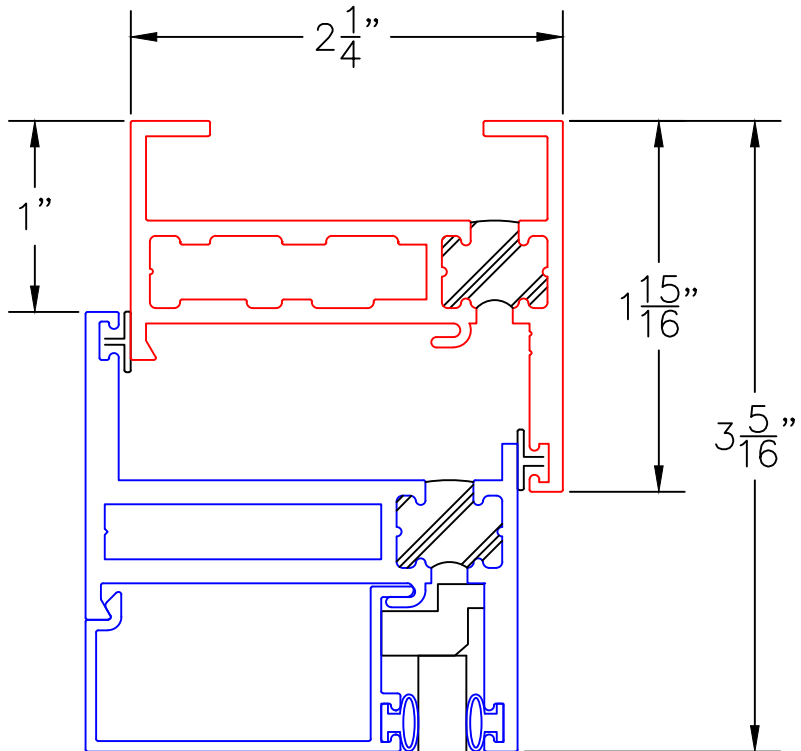


-GLASS PENETRATION: 1/2"  
-EXTERIOR RATED PRODUCTS HAVE WEEP SLOTS ON HORIZONTAL SILLS.

0 0.5 1  
 (USE RULER TO SCALE DIMENSIONS IN INCHES)  
**SCALE: FULL**

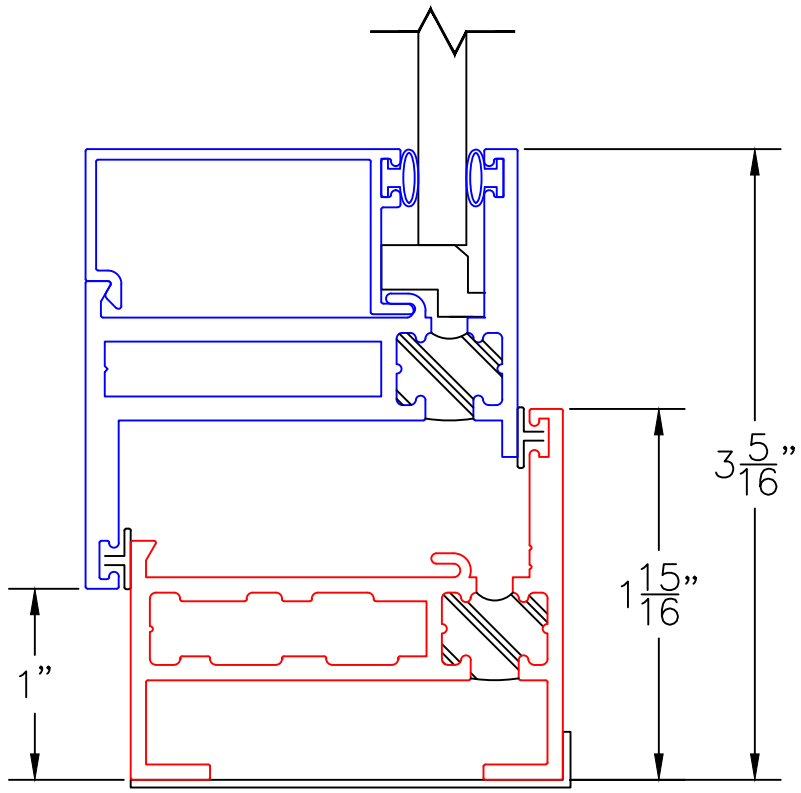
CASEMENT WINDOW DETAILS  
 1/4" SINGLE GLAZING SHOWN

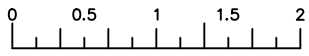
1  
 BLOCK HEAD



EXTERIOR

2  
 BLOCK SILL  
 W/ SILL PAN





(USE RULER TO SCALE DIMENSIONS IN INCHES)

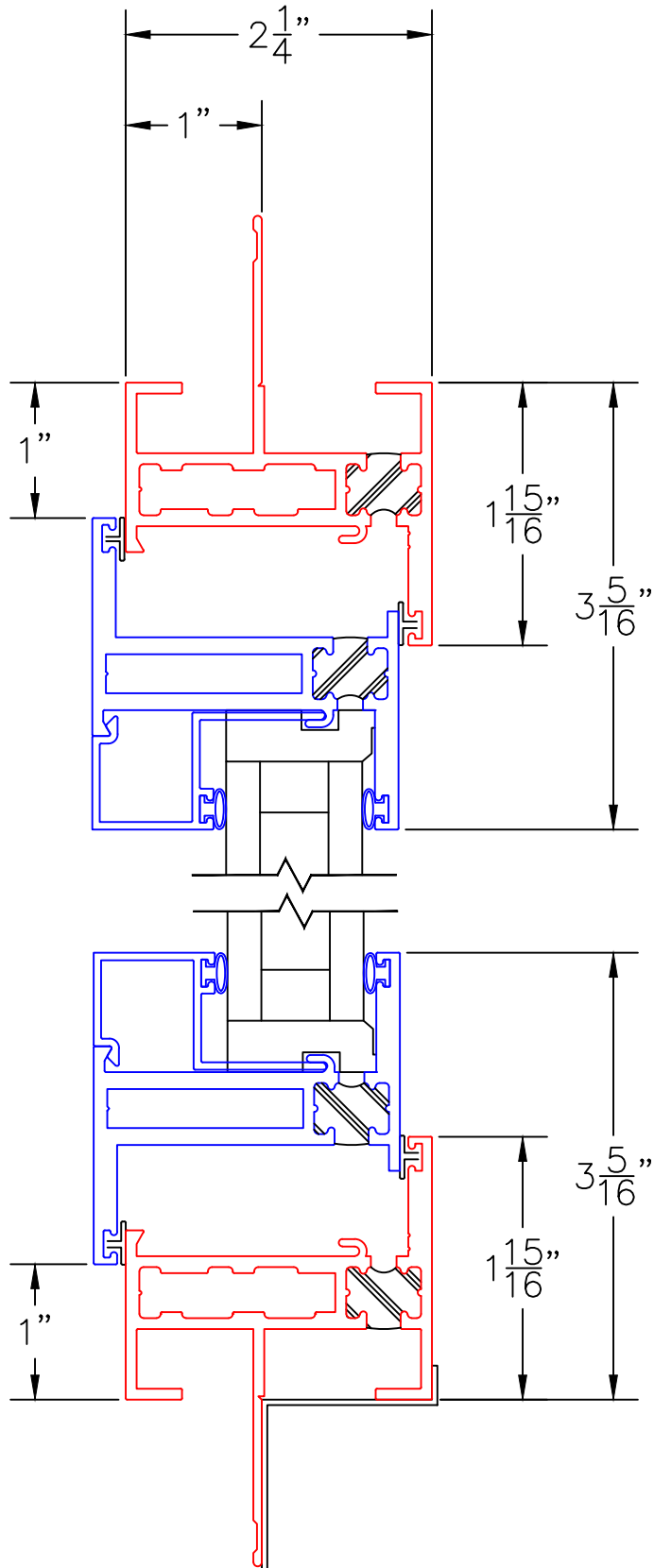
**SCALE: 3/4**

**CASEMENT WINDOW DETAILS**  
**1" INSULATED GLAZING SHOWN**

1A  
NAIL-ON  
HEAD

EXTERIOR

2A  
NAIL-ON  
SILL W/ SILL PAN



0 0.5 1  
(USE RULER TO SCALE DIMENSIONS IN INCHES)

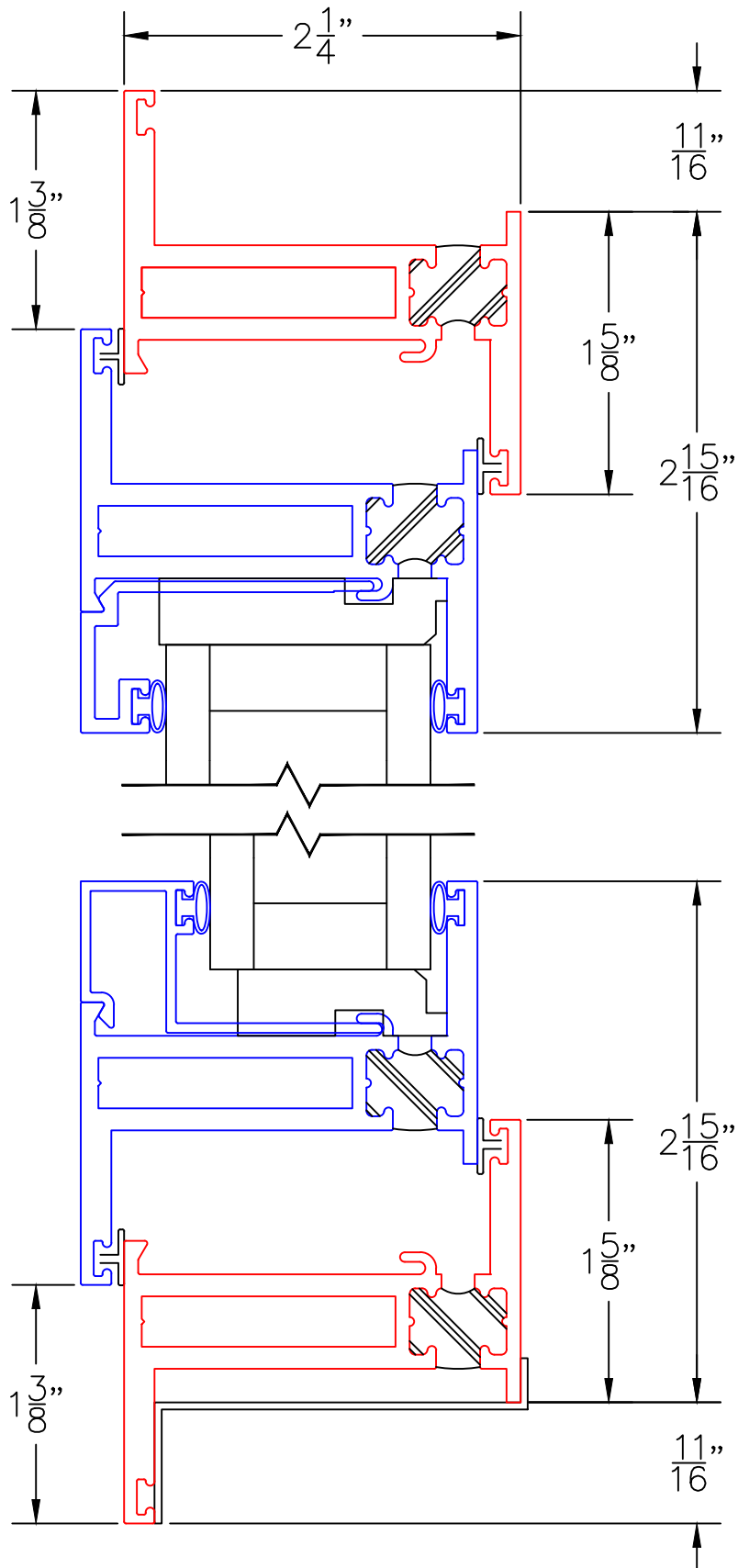
SCALE: FULL

CASEMENT WINDOW DETAILS  
1-1/4" AND 1-1/2" I.G. SHOWN

1B  
UNEQUAL LEG  
HEAD

EXTERIOR

2B  
UNEQUAL LEG  
SILL W/ SILL PAN

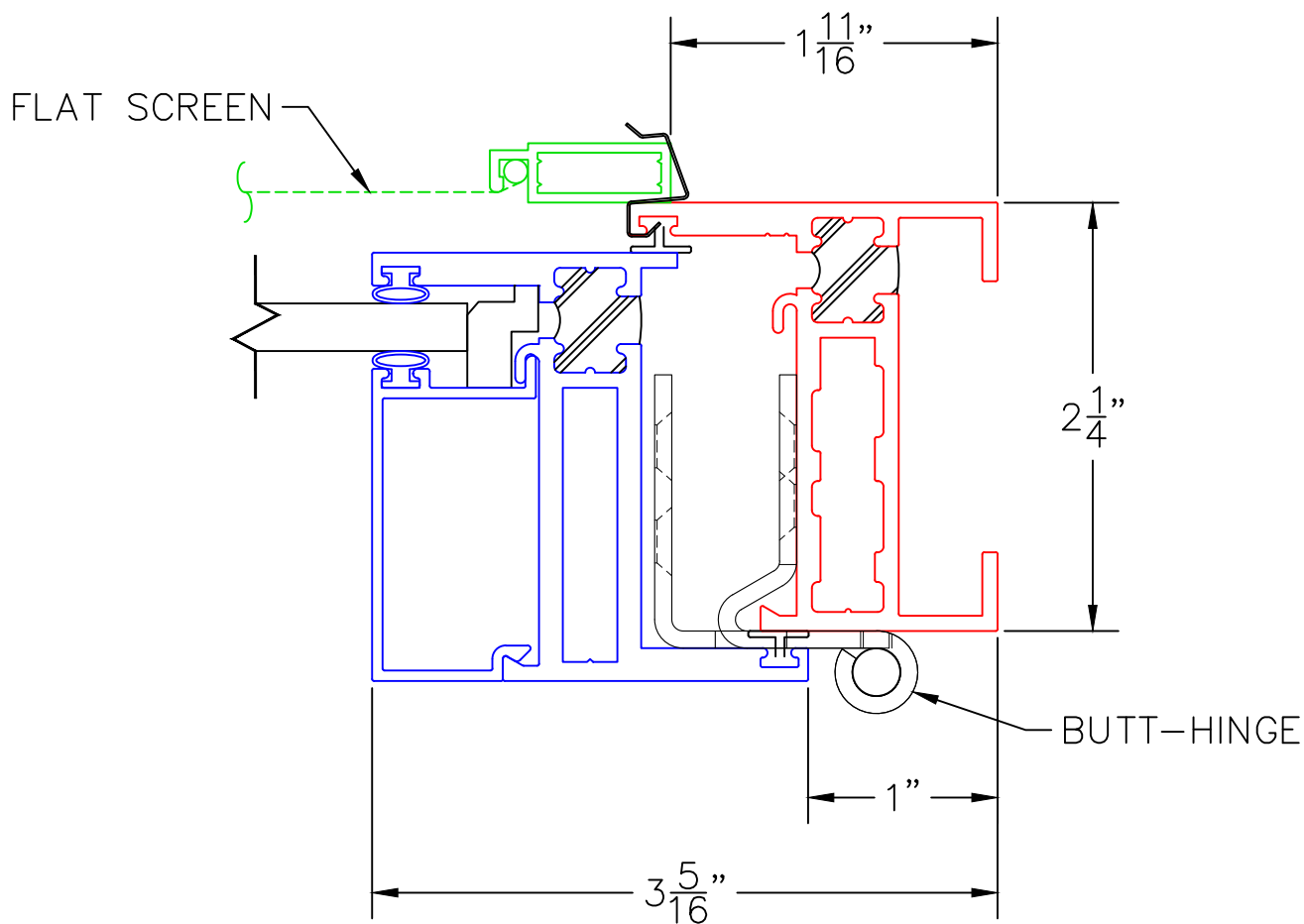


0 0.5 1  
(USE RULER TO SCALE DIMENSIONS IN INCHES)  
**SCALE: FULL**

CASEMENT WINDOW DETAILS  
1/4" SINGLE GLAZING SHOWN

3

JAMB  
BUTT-HINGE  
REQ'D WITH  
ROTO-OPERATOR



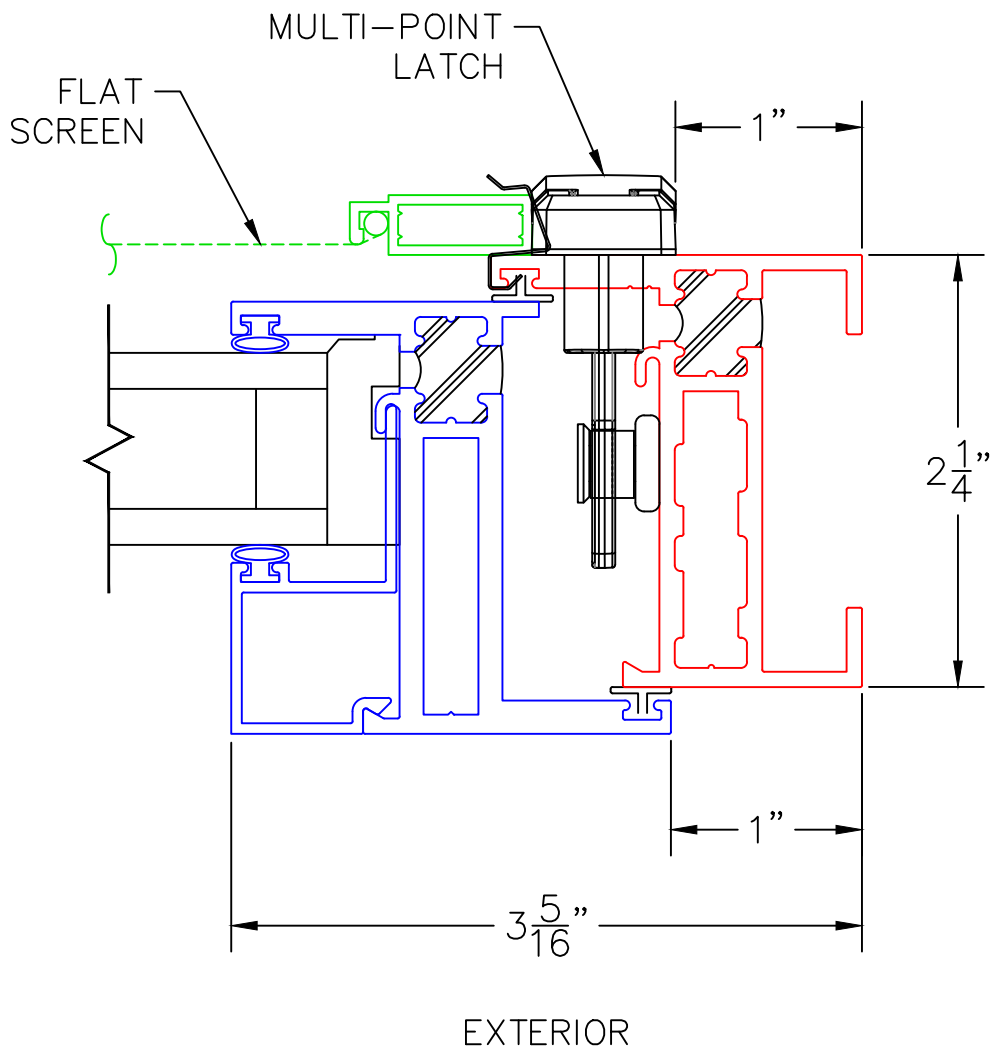
EXTERIOR

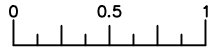
0 0.5 1  
(USE RULER TO SCALE DIMENSIONS IN INCHES)  
**SCALE: FULL**

CASEMENT WINDOW DETAILS  
1" INSULATED GLAZING SHOWN

4

MULTIPOINT LATCH  
REQ'D WITH  
ROTO-OPERATOR





(USE RULER TO SCALE DIMENSIONS IN INCHES)

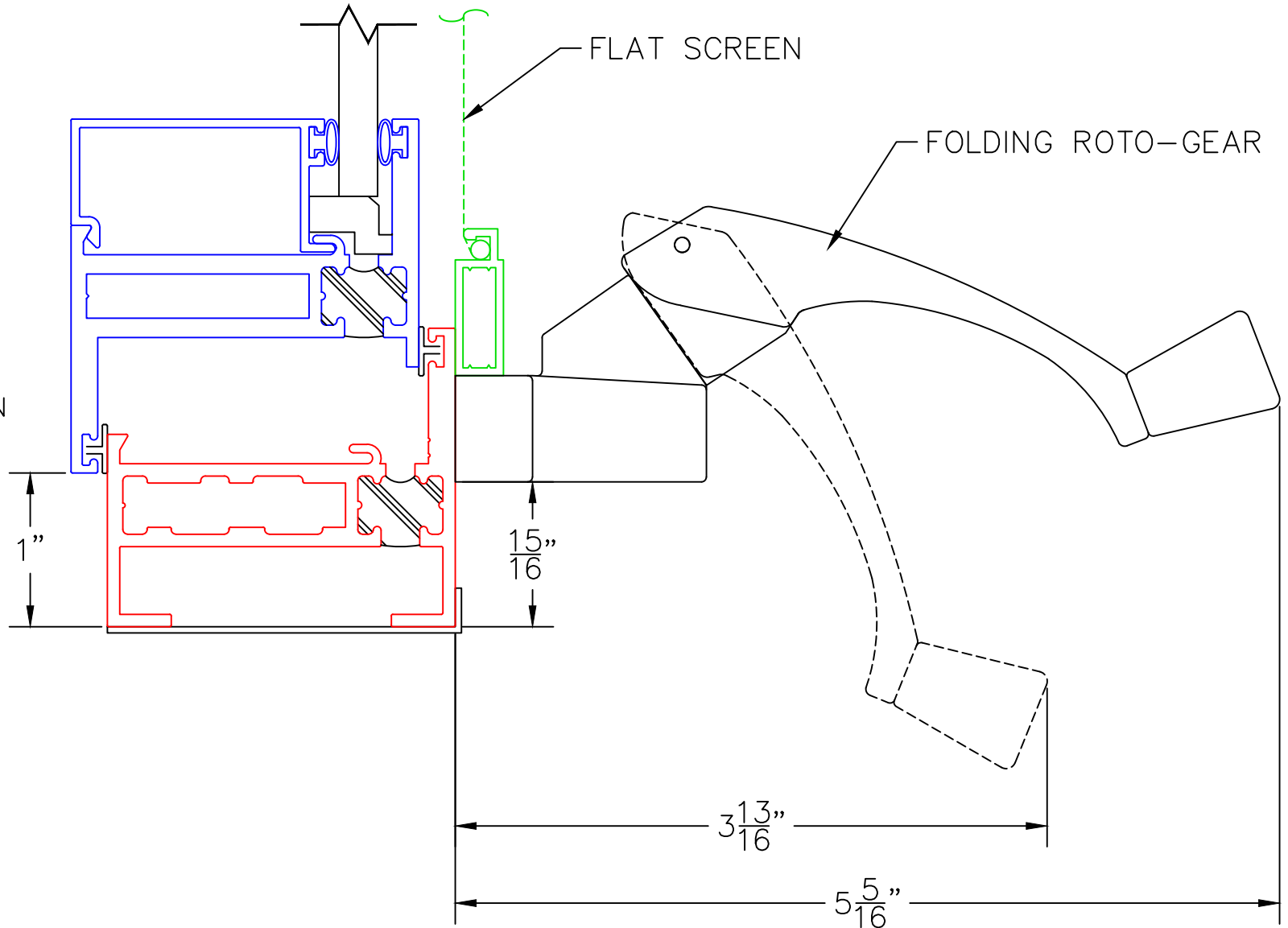
**SCALE: FULL**

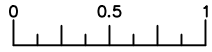
## CASEMENT WINDOW DETAILS 1/4" SINGLE GLAZING SHOWN

EXTERIOR

5

SILL W/ SILL PAN  
FLAT SCREEN  
REQ'D WITH  
ROTO-GEAR

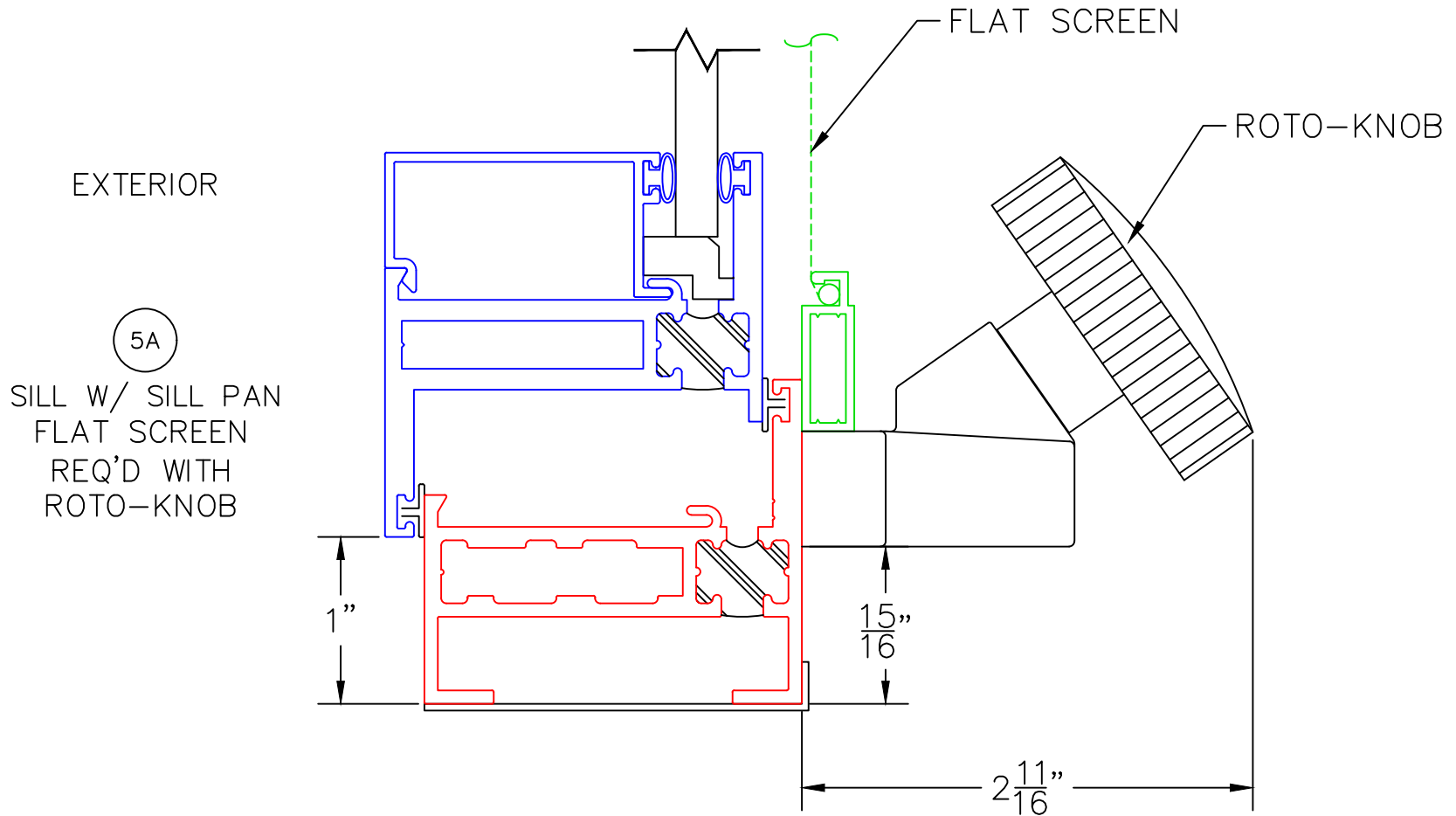




(USE RULER TO SCALE DIMENSIONS IN INCHES)

**SCALE: FULL**

## CASEMENT WINDOW DETAILS 1/4" SINGLE GLAZING SHOWN





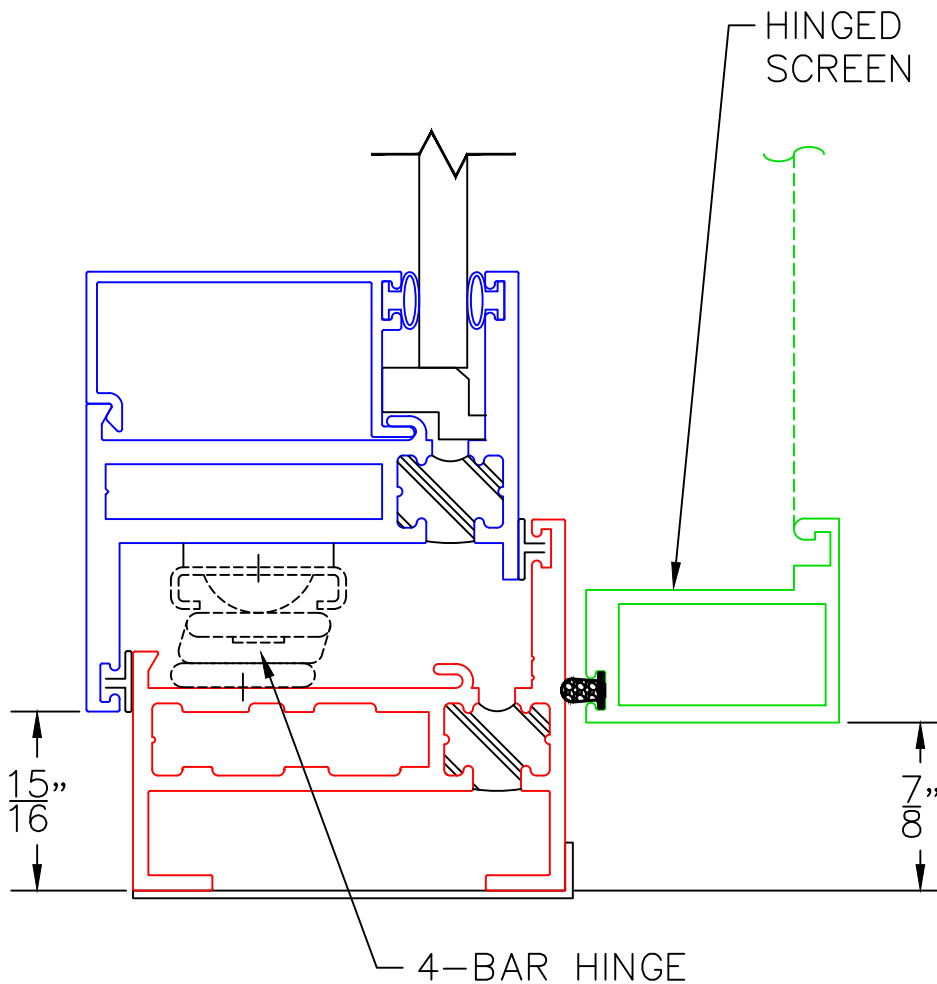
0 0.5 1  
 (USE RULER TO SCALE DIMENSIONS IN INCHES)  
**SCALE: FULL**

CASEMENT WINDOW DETAILS  
 1/4" SINGLE GLAZING SHOWN

EXTERIOR

6

SILL W/ SILL PAN  
 4-BAR HINGE  
 REQ'D WITH  
 CAM HANDLE

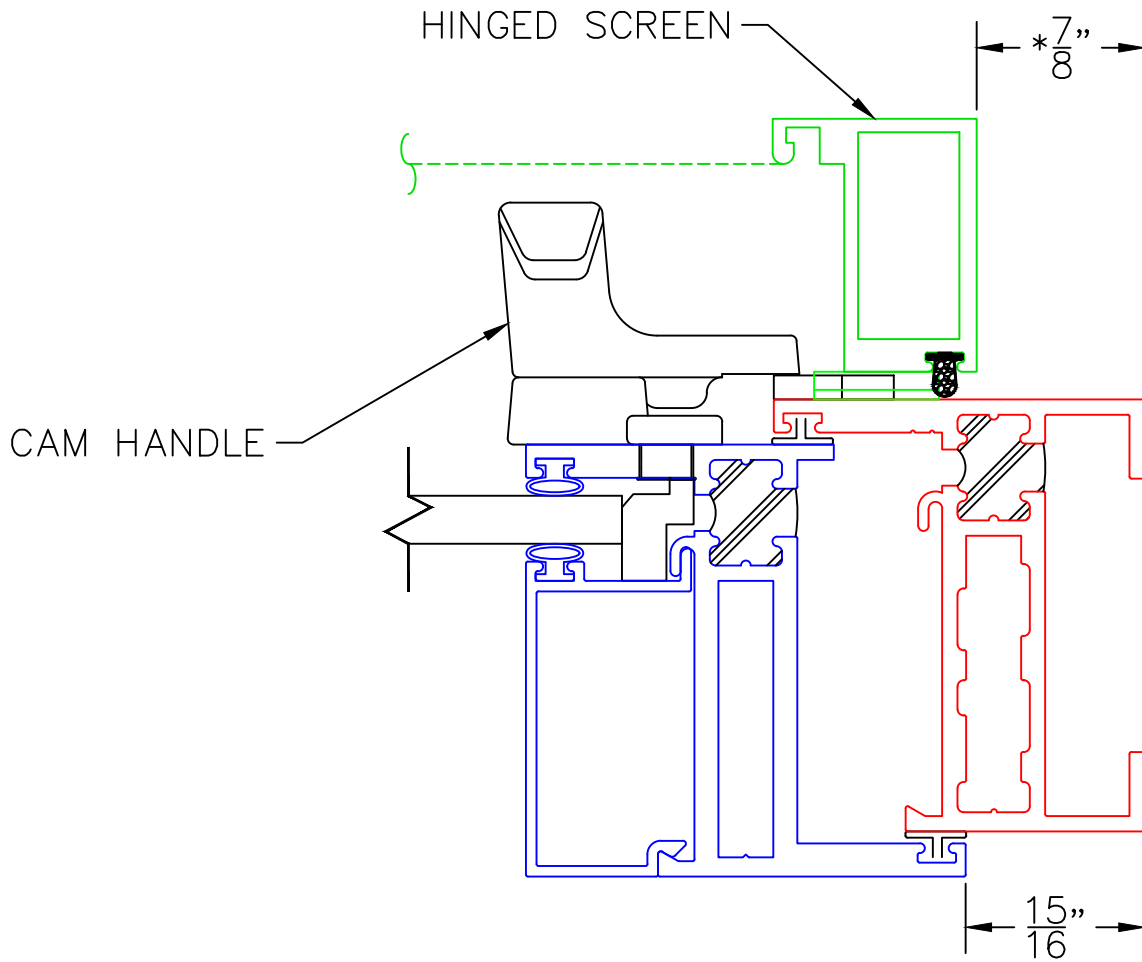


0 0.5 1  
(USE RULER TO SCALE DIMENSIONS IN INCHES)  
**SCALE: FULL**

CASEMENT WINDOW DETAILS  
1/4" SINGLE GLAZING SHOWN

7

JAMB  
HINGED SCREEN  
REQ'D WITH  
CAM HANDLE



EXTERIOR

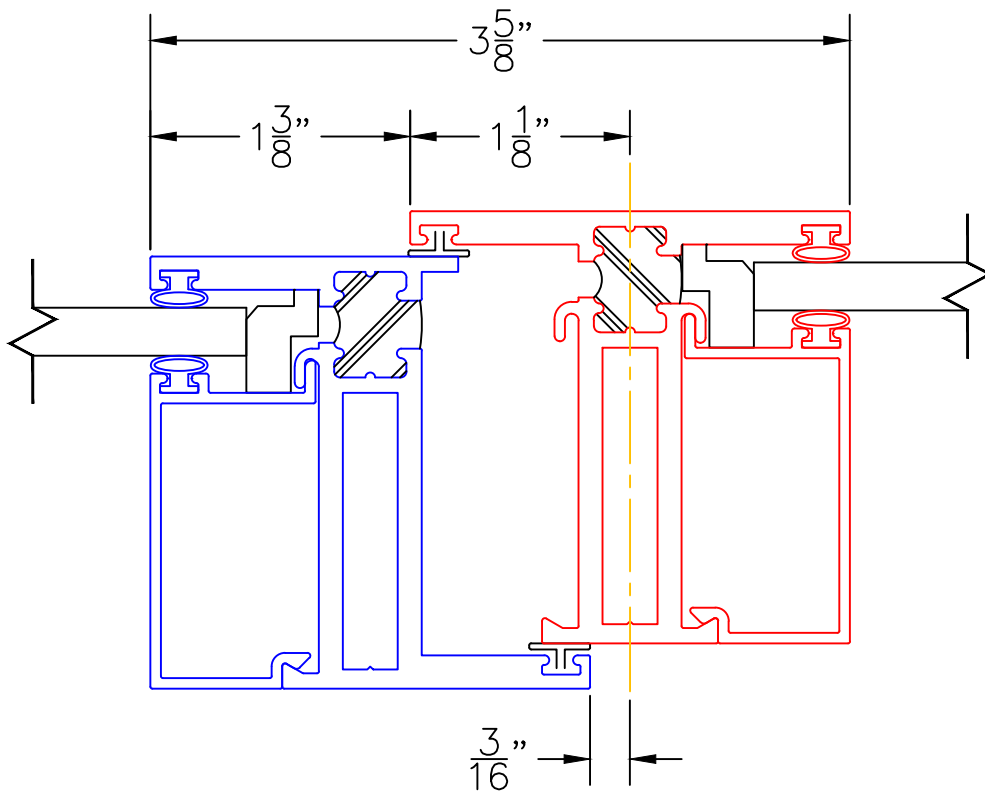
\*NOTE: 1/2" CLEARANCE WITH MULTI-POINT LOCK AT JAMB

0 0.5 1  
 (USE RULER TO SCALE DIMENSIONS IN INCHES)  
**SCALE: FULL**

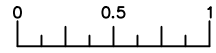
CASEMENT WINDOW DETAILS  
 1/4" SINGLE GLAZING SHOWN

8

CO  
 TDL BAR



EXTERIOR



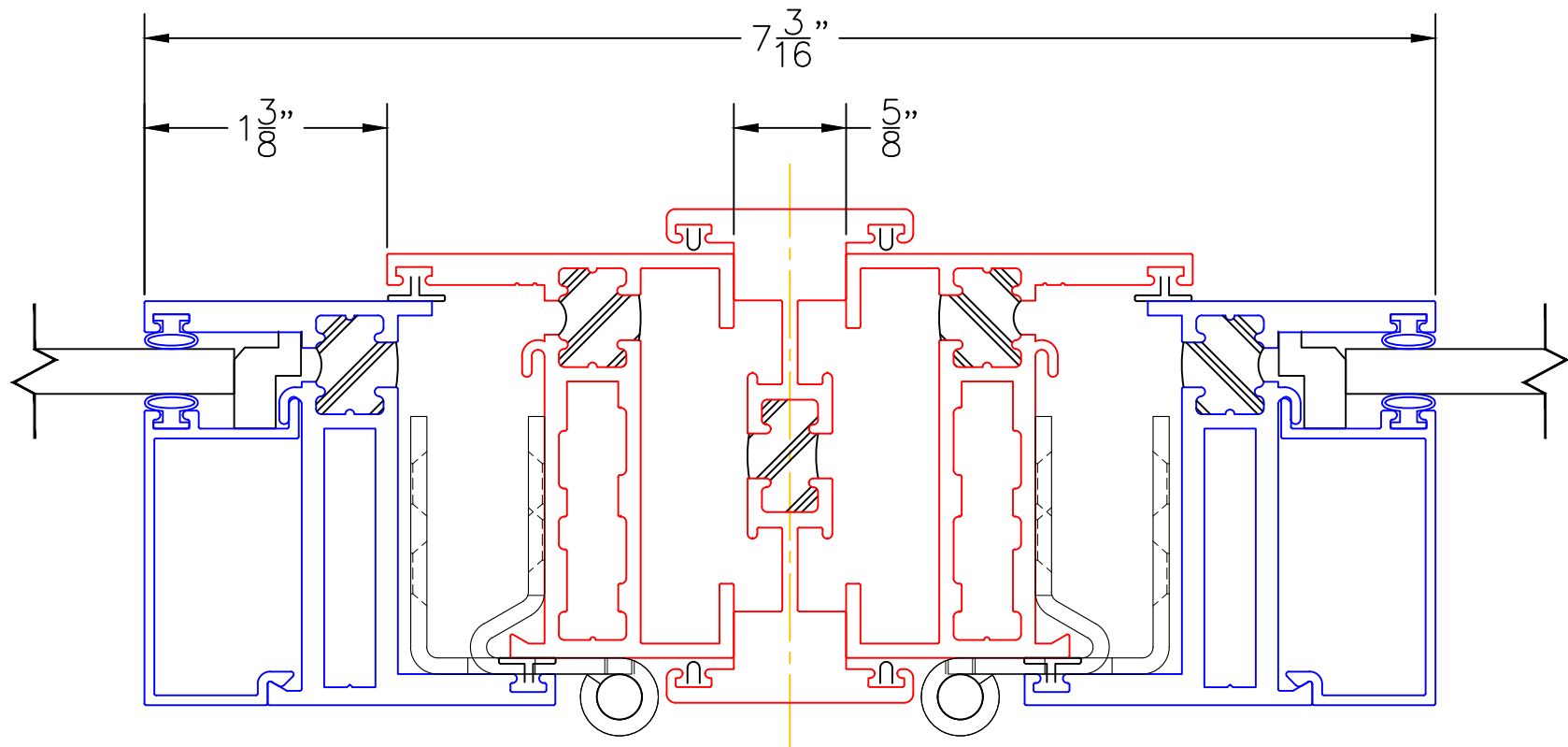
(USE RULER TO SCALE DIMENSIONS IN INCHES)

**SCALE: FULL**

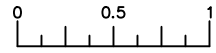
## CASEMENT WINDOW DETAILS 1/4" SINGLE GLAZING SHOWN

9

C/C  
JAMB MULLION



EXTERIOR



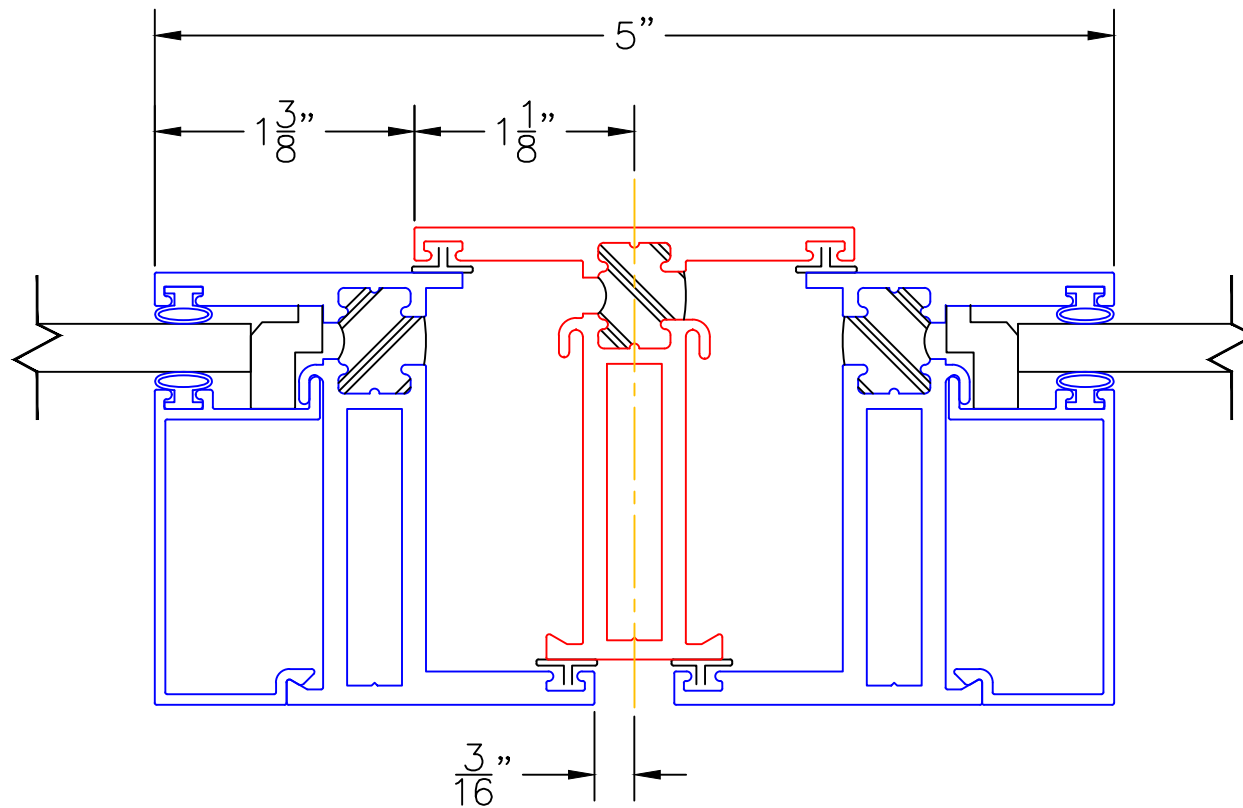
(USE RULER TO SCALE DIMENSIONS IN INCHES)

**SCALE: FULL**

## CASEMENT WINDOW DETAILS 1/4" SINGLE GLAZING SHOWN

10

CC  
TDL BAR



EXTERIOR