

ITEM NO.	PART NUMBER	DESCRIPTION	QTY.
1	Head Closer	Head Closer (See Table for Options)	1
2	25615	Head Closer Top Arm Assembly (International Door Closers # 3010-S)	1
3	25616	Head Closer Pivot Set (International Door Closers # 3010-DP)	1

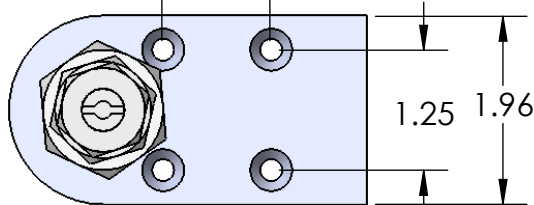
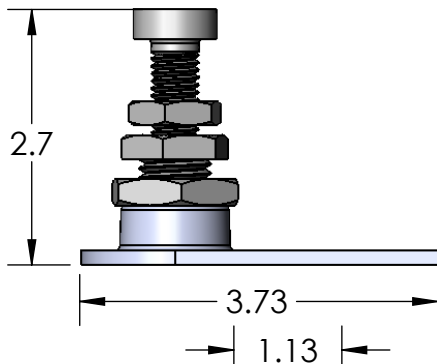
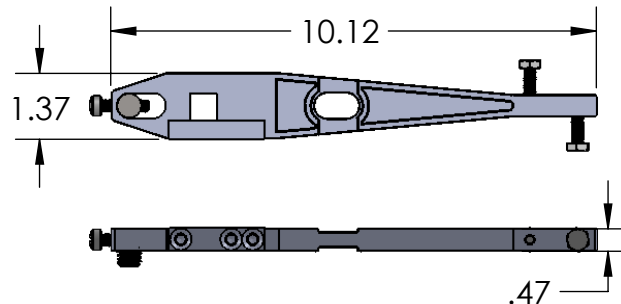
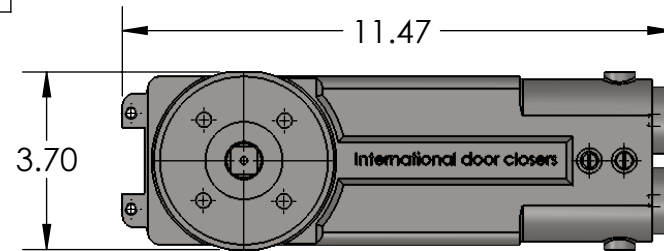
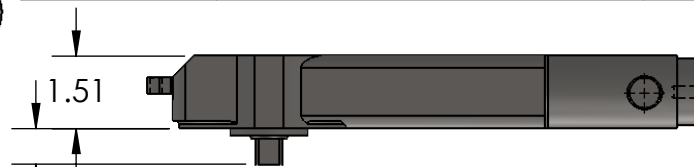
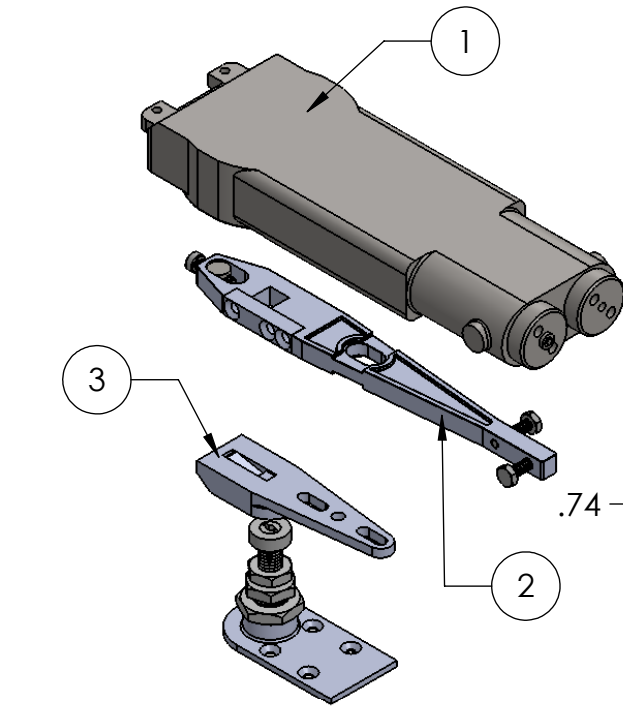
Closer Options:

- Degree of Swing: 90 or 105
- Hold Open: Yes or No
- Double Acting
- Pivot Set: Standard, 3010-DP

Head Closer Components

ID	Descriptions
24826:	Head Closer, 105° Back Stop with Hold-Open, LH
24827:	Head Closer, 105° Back Stop with Hold-Open, RH
24828:	Head Closer, 105° Back Stop with No Hold-Open, LH
24829:	Head Closer, 105° Back Stop with No Hold-Open, RH
25609:	Head Closer, 90° Back Stop with Hold-Open, LH
25610:	Head Closer, 90° Back Stop with Hold-Open, RH
25611:	Head Closer, 90° Back Stop with No Hold-Open, LH
25612:	Head Closer, 90° Back Stop with No Hold-Open, RH

ID	Descriptions
25617:	Head Closer, 105° Back Stop with Hold-Open, LH, Kit
25618:	Head Closer, 105° Back Stop with Hold-Open, RH,Kit
25619:	Head Closer, 105° Back Stop with No Hold-Open, LH,Kit
25620:	Head Closer, 105° Back Stop with No Hold-Open, RH,Kit
25621:	Head Closer, 90° Back Stop with Hold-Open, LH ,Kit
25622:	Head Closer, 90° Back Stop with Hold-Open, RH,Kit
25623:	Head Closer, 90° Back Stop with No Hold-Open, LH ,Kit
25624:	Head Closer, 90° Back Stop with No Hold-Open, RH ,Kit



PROPRIETARY AND CONFIDENTIAL
 THE INFORMATION CONTAINED IN THIS DRAWING IS THE SOLE PROPERTY OF <INSERT COMPANY NAME HERE>. ANY REPRODUCTION IN PART OR AS A WHOLE WITHOUT THE WRITTEN PERMISSION OF <INSERT COMPANY NAME HERE> IS PROHIBITED.

UNLESS OTHERWISE SPECIFIED:

DIMENSIONS ARE IN INCHES
 TOLERANCES:
 FRACTIONAL ±
 ANGULAR: MACH ± BEND ±
 TWO PLACE DECIMAL ±.01
 THREE PLACE DECIMAL ±.005

INTERPRET GEOMETRIC TOLERANCING PER:

MATERIAL

FINISH

DO NOT SCALE DRAWING

	NAME	DATE
DRAWN	KN	10/11/13
CHECKED		
ENG APPR.		
MFG APPR.		
Q.A.		

COMMENTS:



TITLE:

International Head Closer Assembly

SIZE	DWG. NO.	REV
A	Head Closer - Pivot Assembly	

SCALE: 1:4 WEIGHT: SHEET 1 OF 1