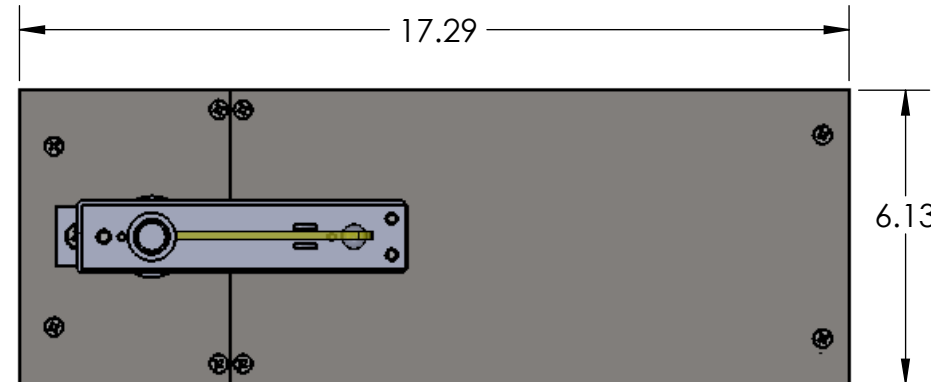
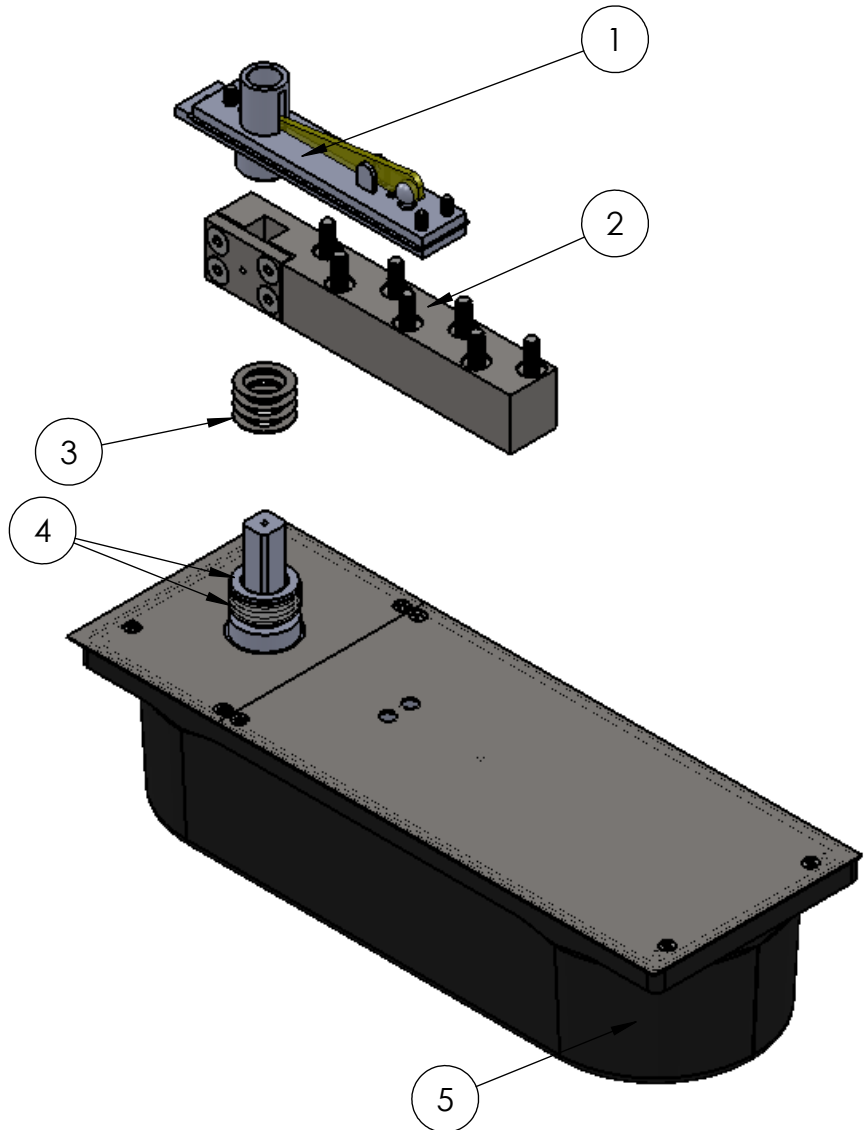



ITEM NO.	PART NUMBER	DESCRIPTION	Default/QTY.
1	24852	Rixson Floor Closer Top Pivot Assembly Set, H340	1
2	24859	587 Side Load Arm Kit	1
3	25507	Load Arm Shim	4
4	25506	Heavy Duty Thrust Bearing with .100" washer, 41204-PKG	1
5	-	H40 x 587 Floor Closer (Specify Hold Open Option)	1



- Closer Options:
- Sealed Closer (SC)
 - Degree of Swing: 90 or 100
 - Selected Hold Open: Yes or No
 - Double Acting
 - Plate Finish: Satin Nickel

ID	Closer Assembly Kit Descriptions
25629:	H40 x 587 LH & RH Sealed Floor Closer, 100° Hold open, Kit
25630:	H40 x 587 LH & RH Sealed Floor Closer, 100° No Hold open, Kit
25631:	H40 x 587 LH & RH Sealed Floor Closer, 90° Hold open, Kit
25632:	H40 x 587 LH & RH Sealed Floor Closer, 90° No Hold open, Kit

ID	Closer Components Descriptions
25605:	H40 x 587 LH & RH Sealed Floor Closer, 100° Hold open
25606:	H40 x 587 LH & RH Sealed Floor Closer, 100° No Hold open
25607:	H40 x 587 LH & RH Sealed Floor Closer, 90° Hold open
25608:	H40 x 587 LH & RH Sealed Floor Closer, 90° No Hold open

UNLESS OTHERWISE SPECIFIED:		NAME	DATE	 FLEETWOOD WINDOWS & DOORS <small>WWW.FLEETWOODUSA.COM</small>
DIMENSIONS ARE IN INCHES		DRAWN	DATE	
TOLERANCES:		CHECKED	1/21/11	TITLE: H40 x 587 Floor Closer -BOM
FRACTIONAL: ± 1/32		ENG APPR.		
ANGULAR: ± 1/2°		MFG APPR.		
TWO PLACE DECIMAL ±.03		Q.A.		
THREE PLACE DECIMAL ±.010		COMMENTS:		SIZE DWG. NO. REV B H40 x 587 Floor Closer -BOM
INTERPRET GEOMETRIC TOLERANCING PER:				
MATERIAL				
FINISH				SCALE: 1:4 WEIGHT: SHEET 1 OF 1
DO NOT SCALE DRAWING				

PROPRIETARY AND CONFIDENTIAL
 THE INFORMATION CONTAINED IN THIS DRAWING IS THE SOLE PROPERTY OF <INSERT COMPANY NAME HERE>. ANY REPRODUCTION IN PART OR AS A WHOLE WITHOUT THE WRITTEN PERMISSION OF <INSERT COMPANY NAME HERE> IS PROHIBITED.