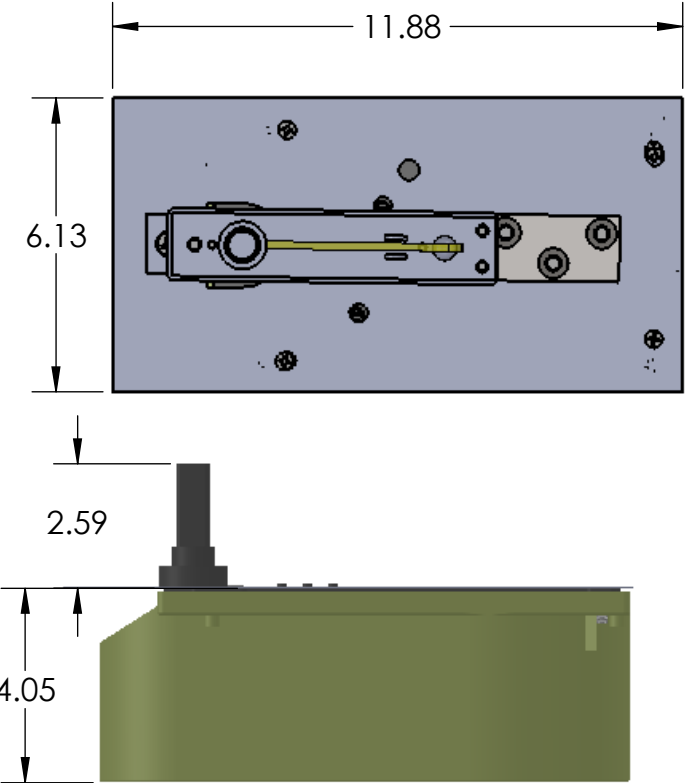
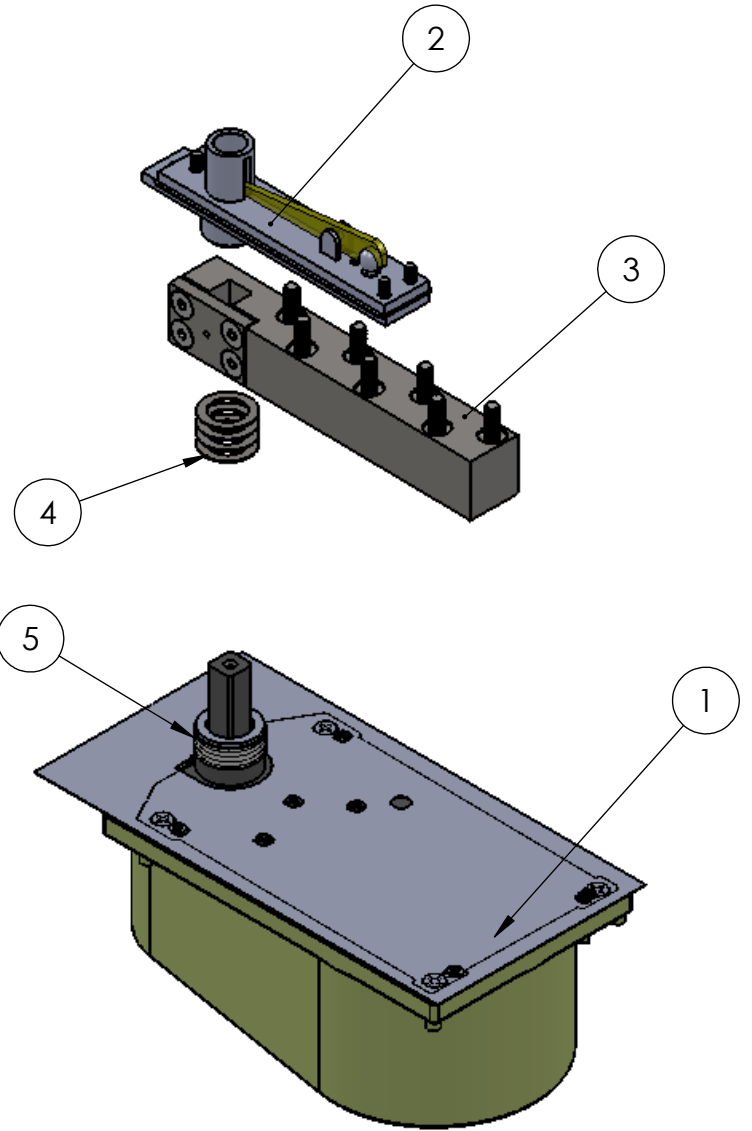



ITEM NO.	PART NUMBER	DESCRIPTION	Default/QTY.
1	-	H28 x 587 Floor Closer (Specify Hold Open Option)	1
2	24852	Rixson Floor Closer Top Pivot Assembly Set, H340	1
3	24859	Rixson 587 Side Load Arm Assembly Set	1
4	25507	Load Arm Shim	4
5	25506	Heavy Duty Thrust Bearing with .100" washer, 41204-PKG	1



- Closer Options:**
- Sealed Closer (SC)
 - Degree of Swing: 90 or 105
 - Selected Hold Open: Yes or No
 - Right Hand or Left Hand
 - Plate Finish: Satin Nickel

Closer Assembly Kit
 Description:
 25625: H28 x 587 LH Sealed Floor Closer, 105° Selective Hold open, LH-IS; RH-OS, Kit
 25626: H28 x 587 LH Sealed Floor Closer, 90° Selective Hold open, LH-IS; RH-OS, Kit
 25627: H28 x 587 RH Sealed Floor Closer, 105° Selective Hold open, RH-IS; LH-OS, Kit
 25628: H28 x 587 RH Sealed Floor Closer, 90° Selective Hold open, RH-IS; LH-OS, Kit

Closer Components
 Description:
 25601: H28 x 587 LH Sealed Floor Closer, 105° Selective Hold open, LH-IS; RH-OS
 25602: H28 x 587 LH Sealed Floor Closer, 90° Selective Hold open, LH-IS; RH-OS
 25603: H28 x 587 RH Sealed Floor Closer, 105° Selective Hold open, RH-IS; LH-OS
 25604: H28 x 587 RH Sealed Floor Closer, 90° Selective Hold open, RH-IS; LH-OS

UNLESS OTHERWISE SPECIFIED:		NAME	DATE	 FLEETWOOD WINDOWS & DOORS WWW.FLEETWOODUSA.COM
DIMENSIONS ARE IN INCHES		DRAWN	DATE	
TOLERANCES:		CHECKED	1/21/11	
FRACTIONAL: ± 1/32		ENG APPR.		
ANGULAR: ± 1/2°		MFG APPR.		TITLE: Rixson H28 x 587 Floor Closer
TWO PLACE DECIMAL ±.03		Q.A.		
THREE PLACE DECIMAL ±.010		COMMENTS:		
INTERPRET GEOMETRIC TOLERANCING PER:		SIZE	DWG. NO.	REV
MATERIAL		B	H28 x 587 Floor Closer -BOM	
FINISH		SCALE: 1:4		WEIGHT:
DO NOT SCALE DRAWING		SHEET 1 OF 1		

PROPRIETARY AND CONFIDENTIAL
 THE INFORMATION CONTAINED IN THIS DRAWING IS THE SOLE PROPERTY OF <INSERT COMPANY NAME HERE>. ANY REPRODUCTION IN PART OR AS A WHOLE WITHOUT THE WRITTEN PERMISSION OF <INSERT COMPANY NAME HERE> IS PROHIBITED.