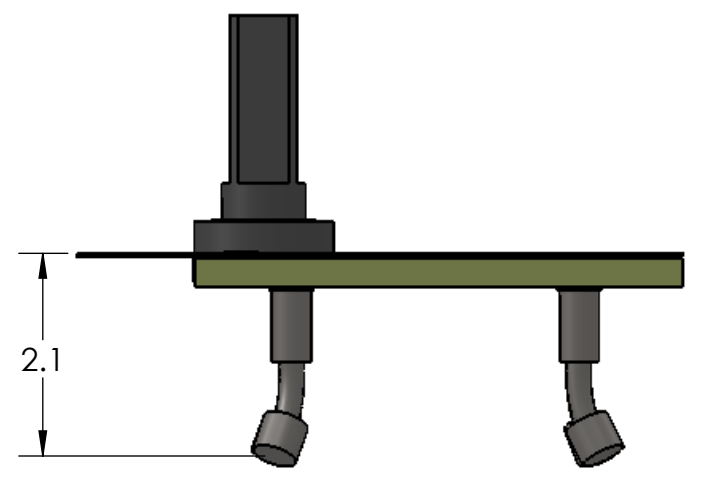
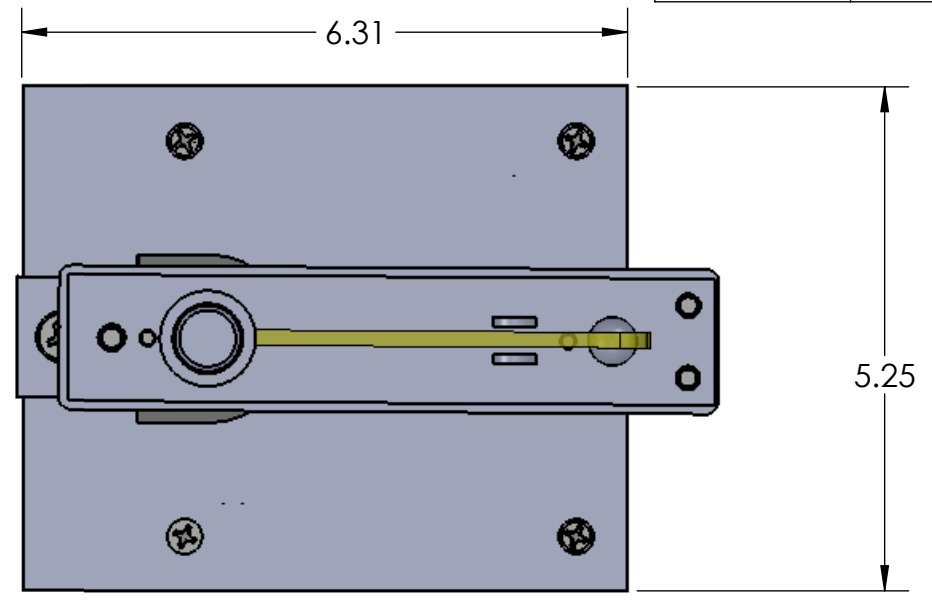
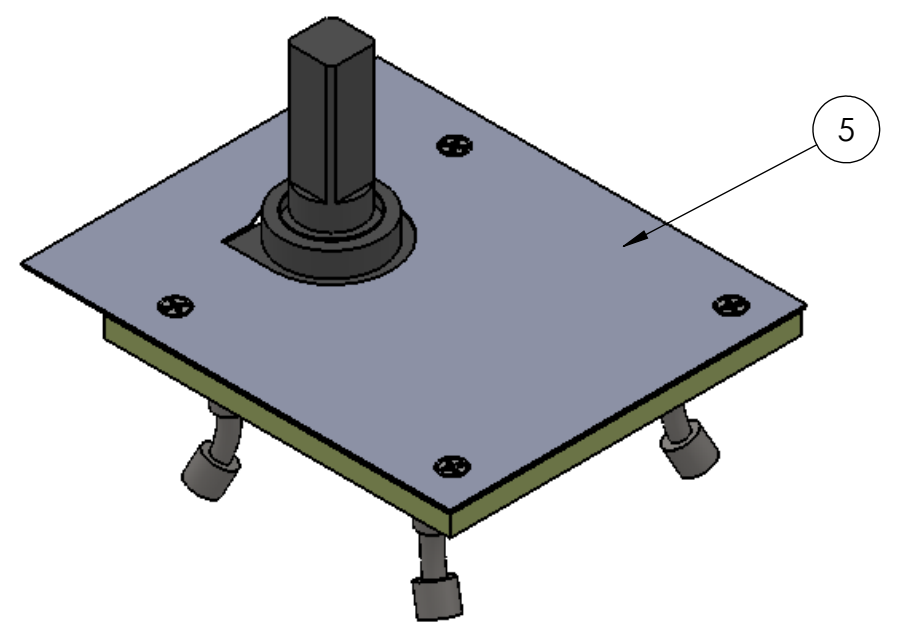
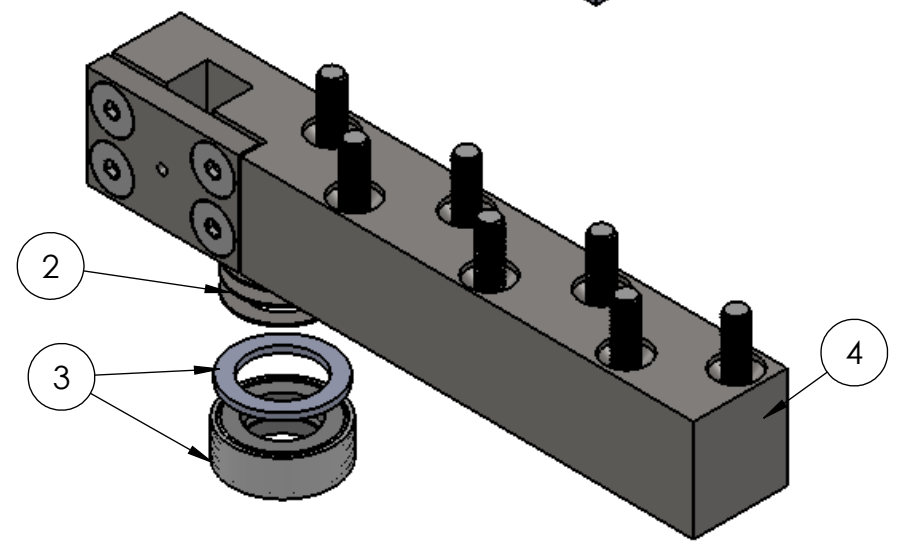
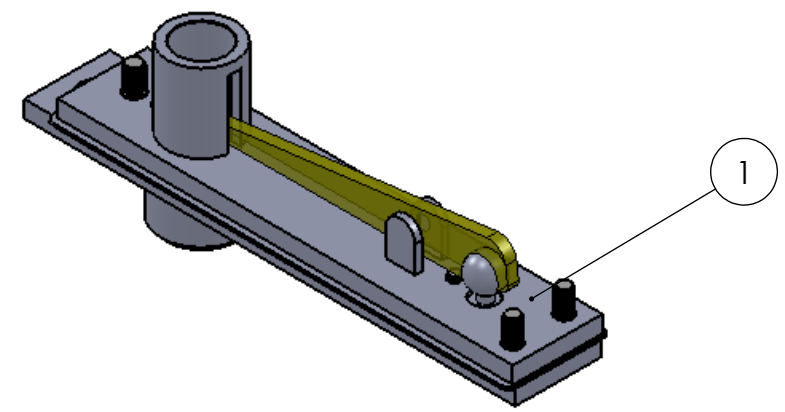


ITEM NO.	PART NUMBER	DESCRIPTION	Default/ QTY.
1	24852	Rixson Floor Closer Top Pivot Assembly Set, H340	1
2	25507	Load Arm Shim	4
3	25506	Heavy Duty Thrust Bearing with .100" washer, 41204-PKG	1
4	24859	Rixson 587 Side Load Arm Assembly Set	1
5	24853	Rixson Floor Closer Bottom Pivot Only Assembly	1



ID#24987

Pivot Seat Options:

- Degree of Swing: 360
- Selected Hold Open: N/A
- Non-Handed
- Plate Finish: Satin Nickel

UNLESS OTHERWISE SPECIFIED:
 DIMENSIONS ARE IN INCHES
 TOLERANCES:
 FRACTIONAL: ± 1/32
 ANGULAR: ± 1/2°
 TWO PLACE DECIMAL ±.03
 THREE PLACE DECIMAL ±.010

INTERPRET GEOMETRIC TOLERANCING PER:
 MATERIAL
 FINISH

DO NOT SCALE DRAWING

PROPRIETARY AND CONFIDENTIAL
 THE INFORMATION CONTAINED IN THIS DRAWING IS THE SOLE PROPERTY OF <INSERT COMPANY NAME HERE>. ANY REPRODUCTION IN PART OR AS A WHOLE WITHOUT THE WRITTEN PERMISSION OF <INSERT COMPANY NAME HERE> IS PROHIBITED.

NAME	DATE
DRAWN	
CHECKED	
ENG APPR.	
MFG APPR.	
Q.A.	
COMMENTS:	



TITLE: Rixson H117 x 587 Floor Pivot Set Only Assembly		
SIZE B	DWG. NO. 24987, H117 x 587 Floor Pivot Set Only Assembly	REV
SCALE: 1:2	WEIGHT:	SHEET 1 OF 1