

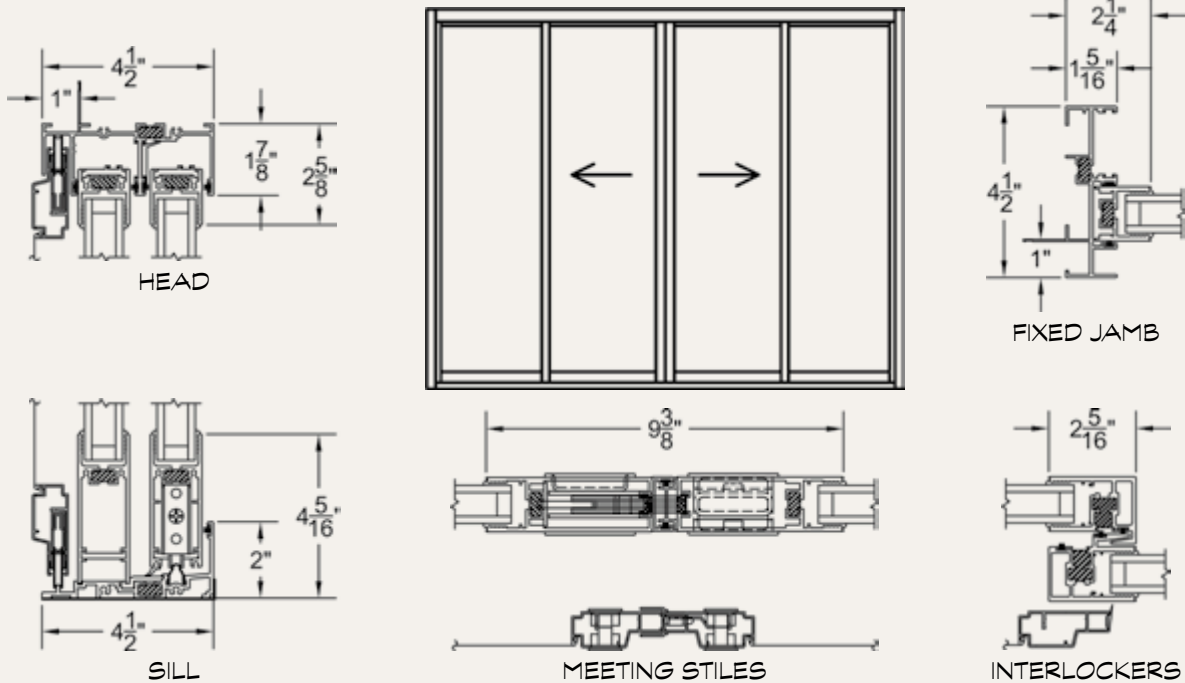
# “THERMAL FRAME” SLIDING DOOR



CCS Architecture  
Seadrift Residence, Stinson Beach, CA  
Photography: Matthew Millman

TYPICAL CONFIGURATIONS	←→ MAX PANEL WIDTH	↑↓ MAX PANEL HEIGHT	☀️ BEST SHGC	❄️ BEST U-VALUE
• OX, XO, OXO, OOX, XOO, XOX, OXXO, XOOX.	72"	120"	0.15	0.26*

### ELEVATION VIEW: OXIXO CONFIGURATION



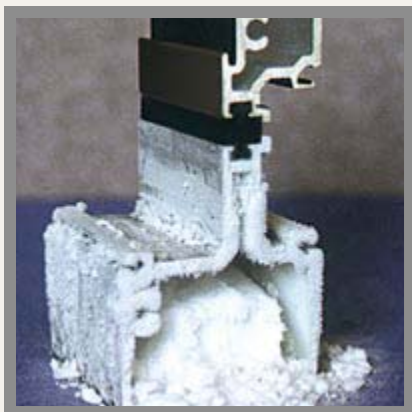
\*Based on a special size simulation of a 16' x 10' OXIXO configuration. NFRC standard size yields 0.35.





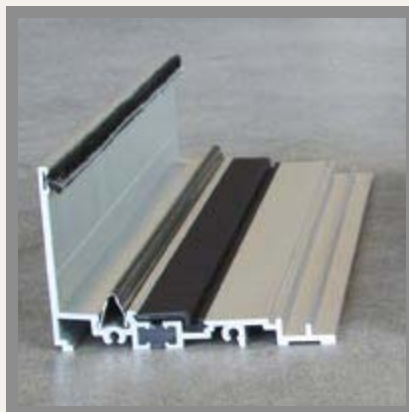
## DESIGN NOTES

- More energy efficient version of the 3000.
- Available 10' tall.



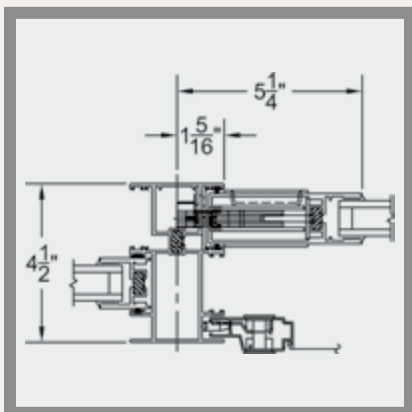
### “Thermal Frame” Extrusions:

The ultimate combination of structural integrity and energy efficiency. Each extrusion was engineered to provide the precise location of the polyurethane so performance was achieved and aesthetics were not compromised. When the Glacier is closed, you cannot tell the extrusions are insulated. Cheaper models have made no attempt to hide the black lines.



### Stainless Track Insert:

All Fleetwood sliding doors come standard with an engineered track and roller marriage. Cheaper doors offer a steel cover that curls up over time since the convex/concave relationship is counterintuitive to physics. Fleetwood’s insert gets stronger as weight bears down and the concavity of the roller is in perfect harmony to the convex shape of the insert. The image above shows this in our optional High Water sill, available in the Glacier 3300 and Norwood 3000.



### False Jamb Option:

We offer an option on the Glacier which allows a center sliding panel: it is called a false jamb (shown above). This same extrusion can be used as an “in frame” mullion between a series of fixed panels to create a large opening, i.e. OOOXOOOO.



### Optional Keyed Lock:

Fleetwood’s proprietary Archetype Hardware is offered with an exterior keyed lock. This flush cylinder allows panels to flush stack and bypass. We have chosen a commercial grade, 5-pin, “C” keyway lock by Schlage. This keyed lock is offered on the following products: 3070-EX, 3070-CR, 3050, 3300, 3000 and 3400P.

For budget driven jobs, Fleetwood offers entry level products. See page 34 for more information.