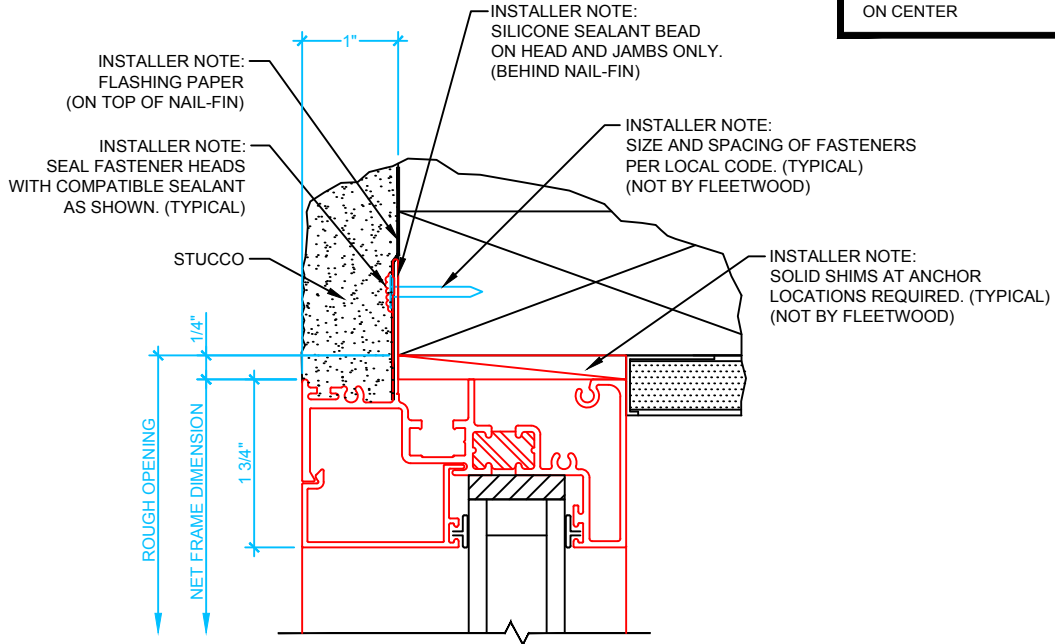


SERIES 330-T

ANCHOR LOCATION WORKSHEET

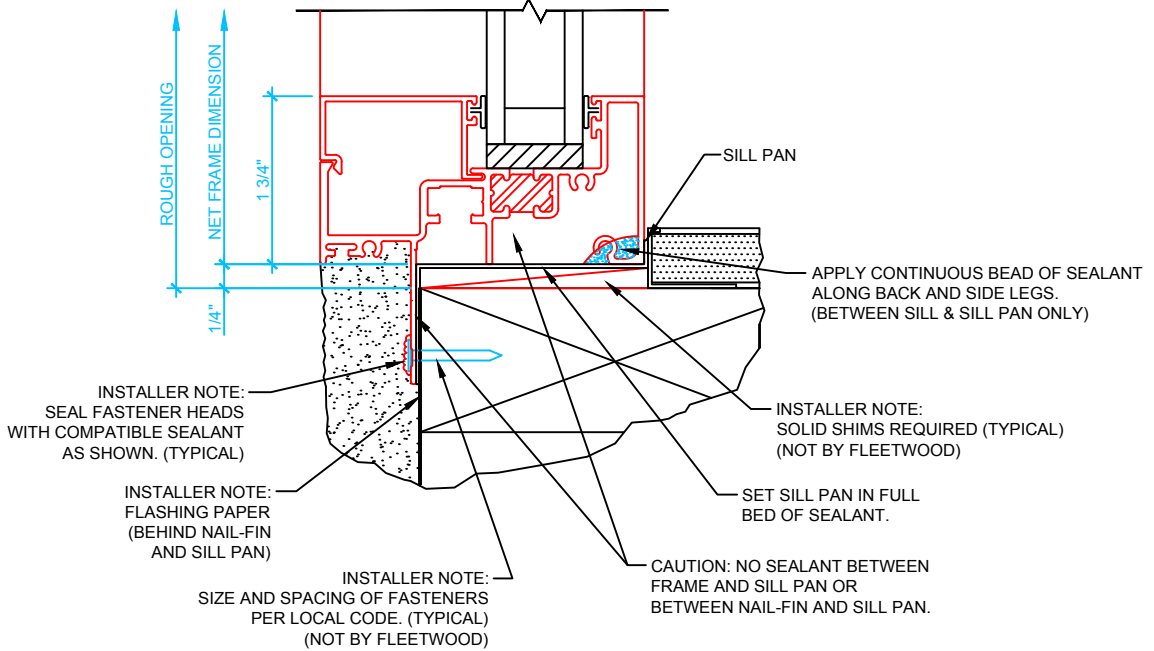
NAIL-ON FRAME

FRAME ANCHOR CHECKLIST	
FASTENER TYPE	
MINIMUM EMBEDMENT	
MINIMUM EDGE DISTANCE	
ANCHOR LOCATIONS	
FROM ENDS	
ON CENTER	



1 FIXED WINDOW HEAD JAMBS SIMILAR

SCALE: 6" = 1'



2 FIXED WINDOW SILL

SCALE: 6" = 1'

SILL DISCLAIMER: IT IS THE MANUFACTURERS DESIRE FOR THE INSTALLER TO **NOT** PIERCE THE SILL. IN SOME CASES THE CODE OR SPECIFICATIONS REQUIRE SUCH. IN THESE CASES THE INSTALLER IS RESPONSIBLE TO SEAL THESE BREACHES.

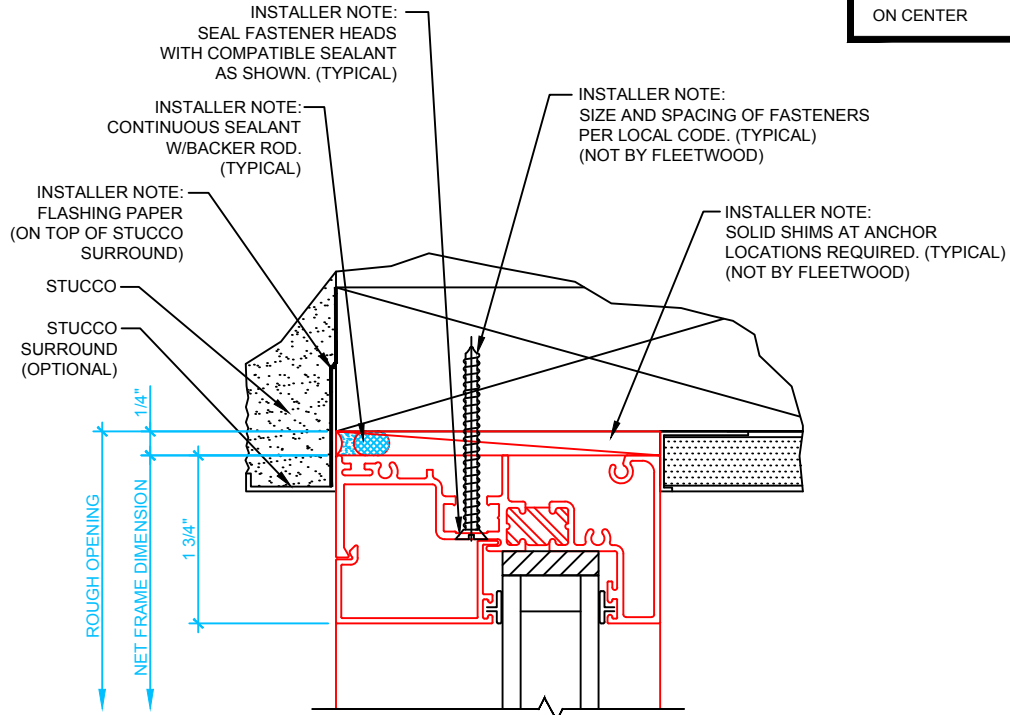
SERIES 330-T

ANCHOR LOCATION WORKSHEET

BLOCK FRAME

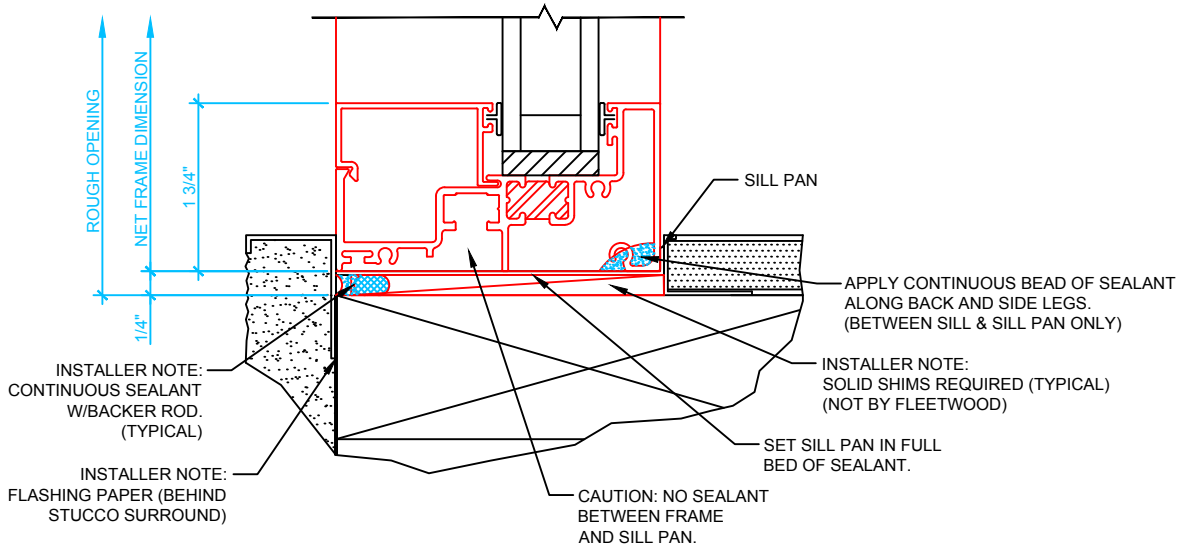
FRAME ANCHOR CHECKLIST

FASTENER TYPE	
MINIMUM EMBEDMENT	
MINIMUM EDGE DISTANCE	
ANCHOR LOCATIONS	
FROM ENDS	
ON CENTER	



EXTERIOR

1 FIXED WINDOW HEAD
JAMBS SIMILAR
SCALE: 6" = 1'



2 FIXED WINDOW SILL
SCALE: 6" = 1'

SILL DISCLAIMER: IT IS THE MANUFACTURERS DESIRE FOR THE INSTALLER TO **NOT** PIERCE THE SILL. IN SOME CASES THE CODE OR SPECIFICATIONS REQUIRE SUCH. IN THESE CASES THE INSTALLER IS RESPONSIBLE TO SEAL THESE BREACHES.

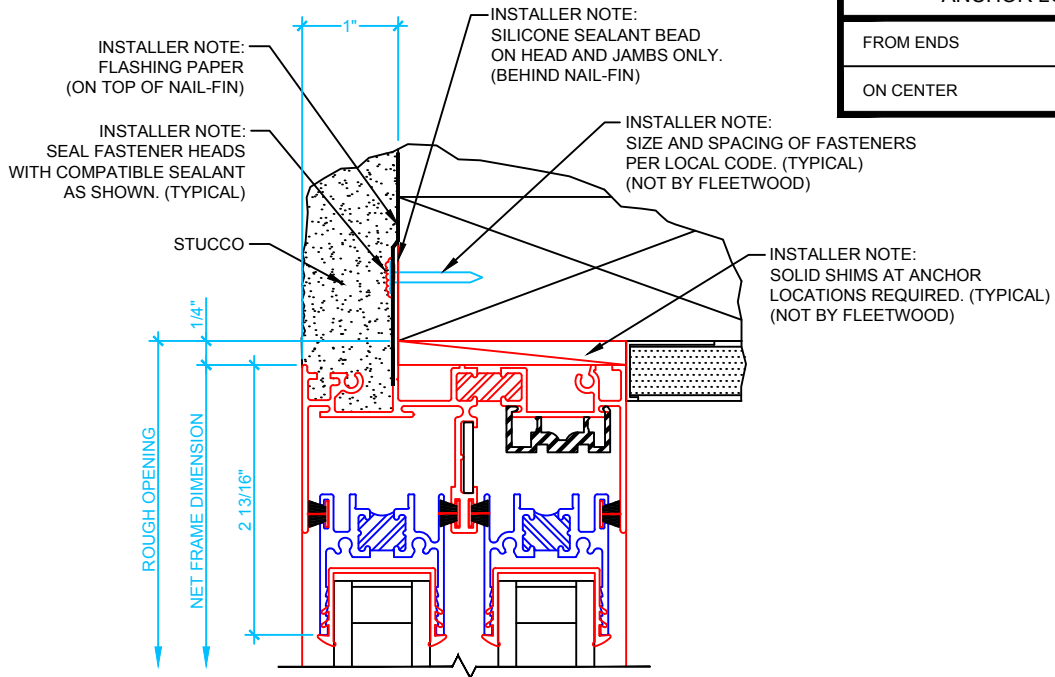
SERIES 330-T

ANCHOR LOCATION WORKSHEET

NAIL-ON FRAME

FRAME ANCHOR CHECKLIST

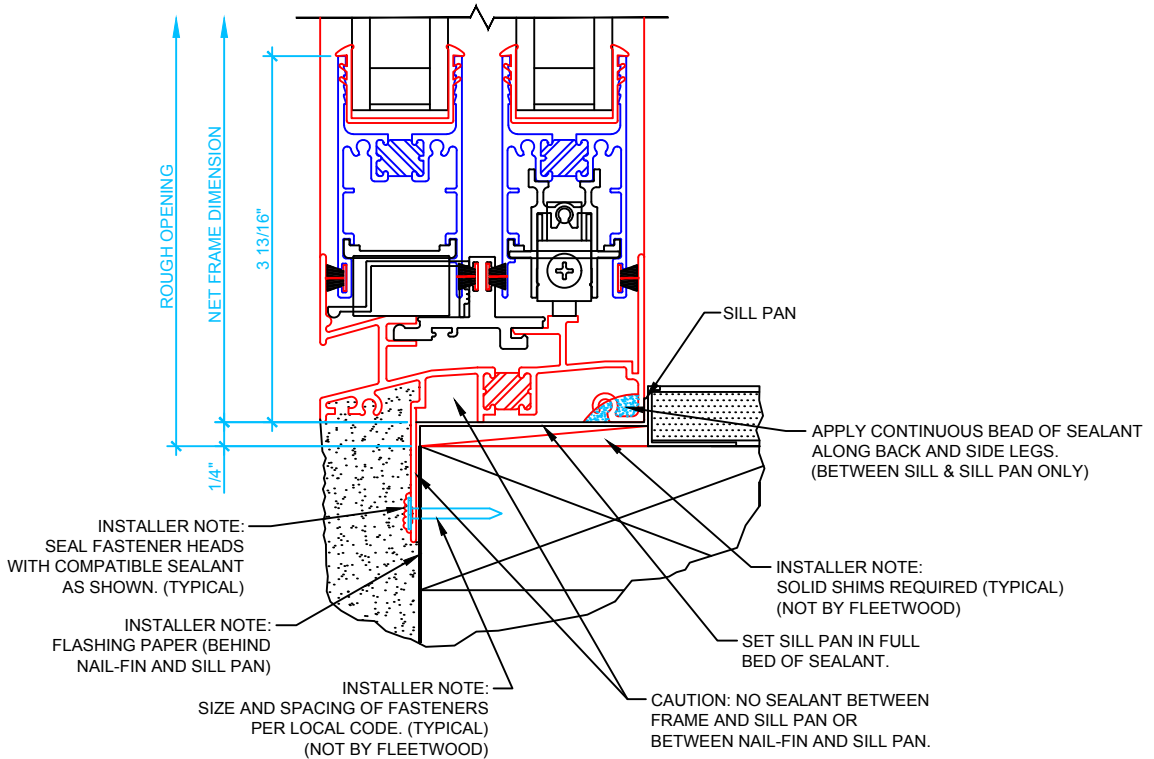
FASTENER TYPE	
MINIMUM EMBEDMENT	
MINIMUM EDGE DISTANCE	
ANCHOR LOCATIONS	
FROM ENDS	
ON CENTER	



1 SLIDING WINDOW HEAD JAMBS SIMILAR

SCALE: 6" = 1'

EXTERIOR



2 SLIDING WINDOW SILL

SCALE: 6" = 1'

SILL DISCLAIMER: IT IS THE MANUFACTURERS DESIRE FOR THE INSTALLER TO **NOT** PIERCE THE SILL. IN SOME CASES THE CODE OR SPECIFICATIONS REQUIRE SUCH. IN THESE CASES THE INSTALLER IS RESPONSIBLE TO SEAL THESE BREACHES.

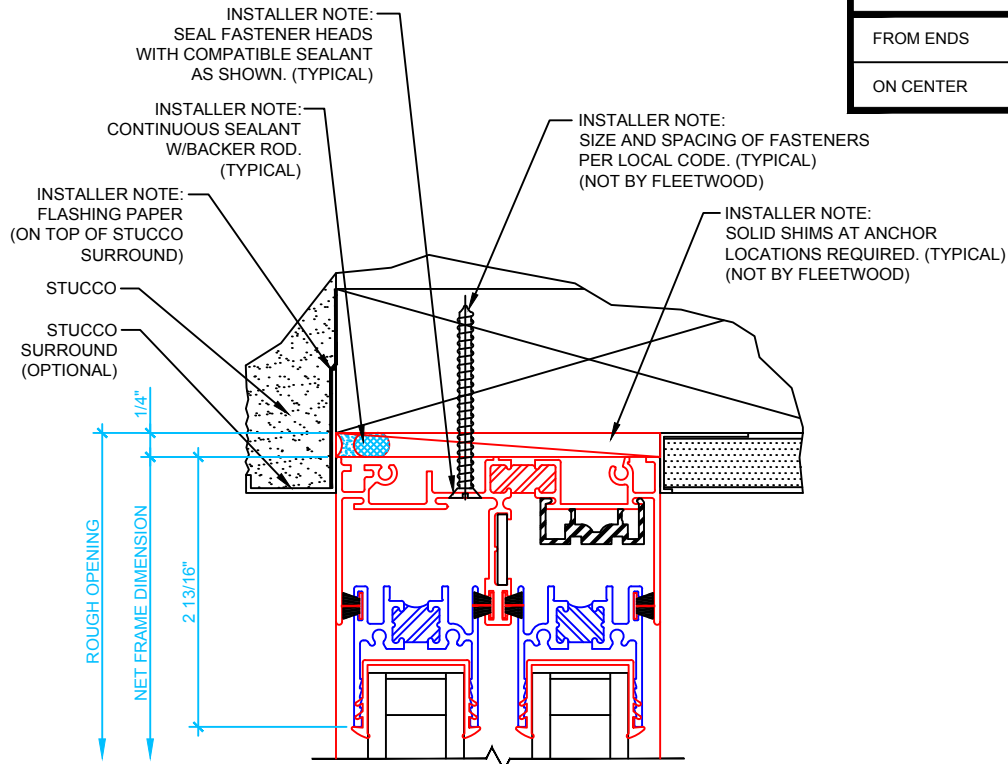
SERIES 330-T

ANCHOR LOCATION WORKSHEET

BLOCK FRAME

FRAME ANCHOR CHECKLIST

FASTENER TYPE	
MINIMUM EMBEDMENT	
MINIMUM EDGE DISTANCE	
ANCHOR LOCATIONS	
FROM ENDS	
ON CENTER	



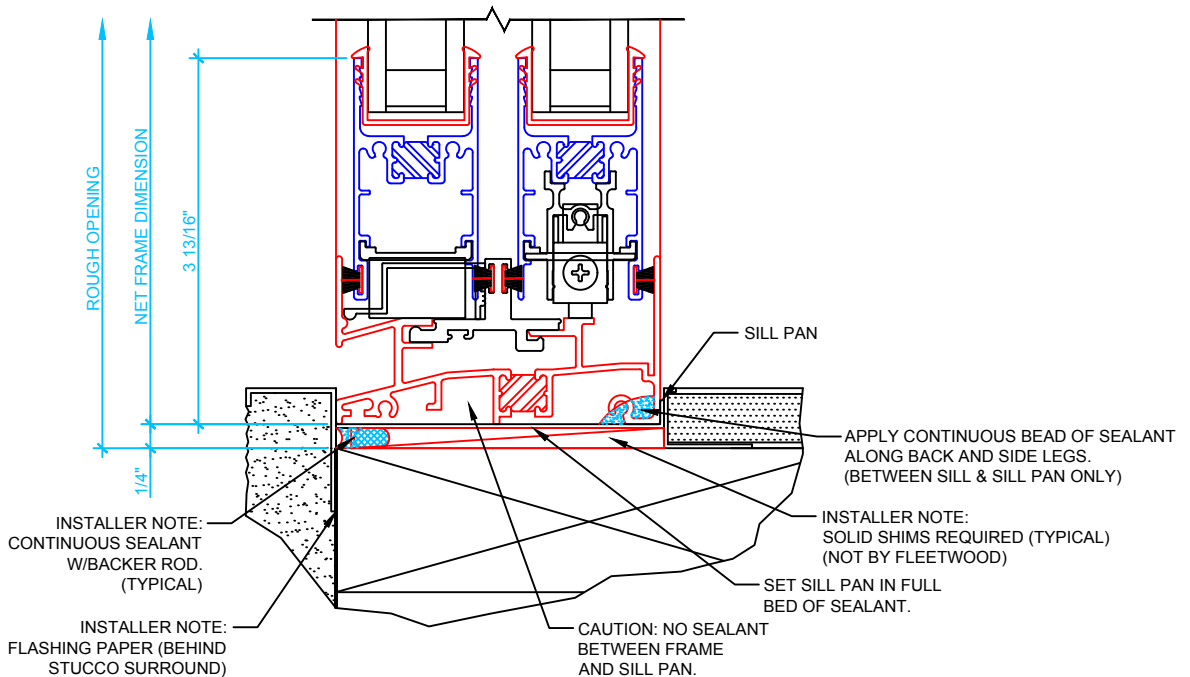
EXTERIOR

1 SLIDING WINDOW HEAD

JAMBS SIMILAR

1

SCALE: 6" = 1'



2

2 SLIDING WINDOW SILL

SCALE: 6" = 1'

SILL DISCLAIMER: IT IS THE MANUFACTURERS DESIRE FOR THE INSTALLER TO **NOT** PIERCE THE SILL. IN SOME CASES THE CODE OR SPECIFICATIONS REQUIRE SUCH. IN THESE CASES THE INSTALLER IS RESPONSIBLE TO SEAL THESE BREACHES.