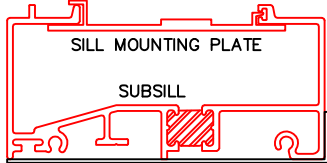
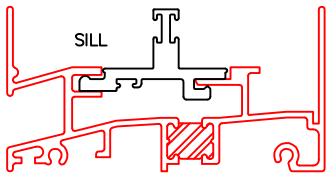


# FLEETWOOD WINDOWS & DOORS

## SERIES 530-T BLOCK FRAME INSTALLATION/ASSEMBLY

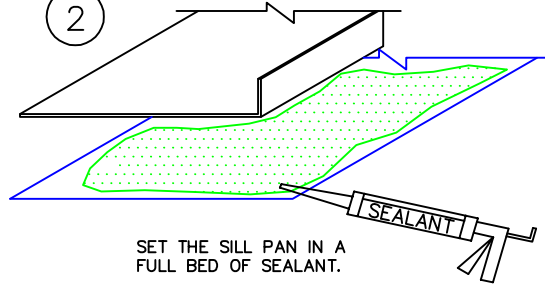
1



SUBSILL END DAM NOT SHOWN TO IMPROVE VIEW CLARITY.

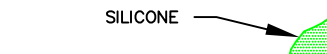
TAKE THE SILL AND ASSEMBLE THE FRAME, AS INSTRUCTED IN THE FRAME ASSEMBLY INSTRUCTIONS.

2



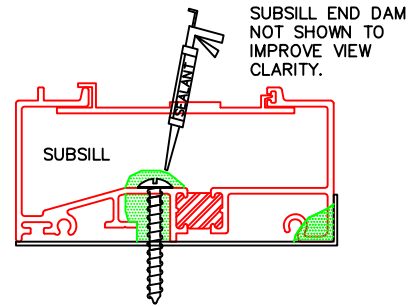
SET THE SILL PAN IN A FULL BED OF SEALANT.

3



APPLY SILICONE TO BACK AND SIDE LEGS OF THE SILL PAN AS SHOWN ABOVE. APPLY THE SILICONE THE FULL LENGTH.

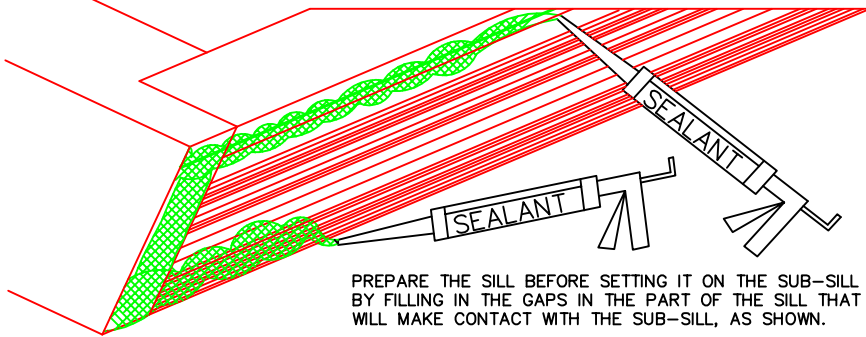
4



SUBSILL END DAM NOT SHOWN TO IMPROVE VIEW CLARITY.

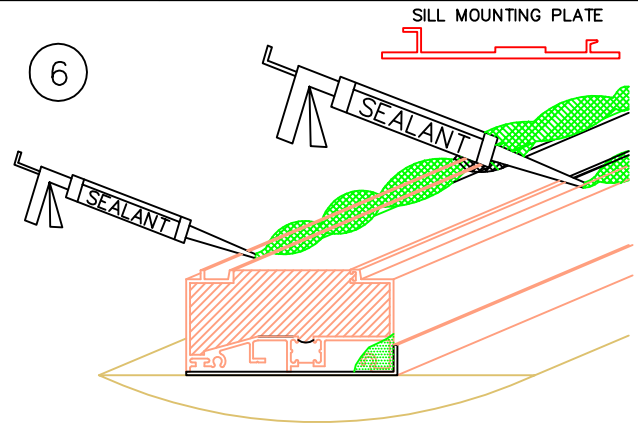
SET THE SUBSILL ONTO THE SILL PAN AND SECURE TO THE ROUGH OPENING WITH #8 X 2" TRUSS HEAD SCREWS AT A MAX. OF 18" ON CENTER. APPLY SEALANT ON AND AROUND SCREW HEADS AS SHOWN.

5



PREPARE THE SILL BEFORE SETTING IT ON THE SUB-SILL BY FILLING IN THE GAPS IN THE PART OF THE SILL THAT WILL MAKE CONTACT WITH THE SUB-SILL, AS SHOWN.

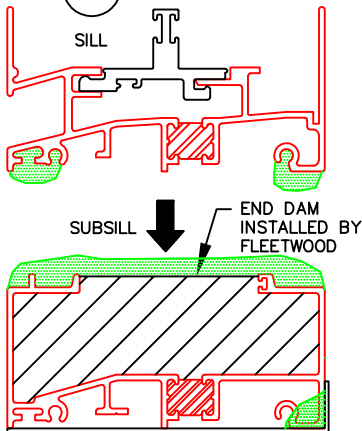
6



LOCATE THE SILL MOUNTING PLATES (SLIDE 6" FROM EACH END AND THEN EQUALLY SPACE THE BALANCE. MEASURE AND WRITE DOWN THEIR LOCATION FROM THE JAMB. WE WILL BE ATTACHING THE SILL TO THESE PLATES IN STEP NUMBER 8.

PREPARE THE SUB-SILL PRIOR TO SETTING AND ATTACHING THE SILL BY RUNNING A FULL BEAD OF SEALANT ACROSS THE TOP OF THE SILL ON BOTH SIDES, FOR THE FULL LENGTH OF THE SUB-SILL.

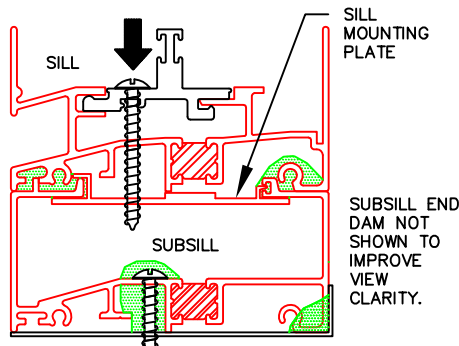
7



SET THE SILL ON THE SUB-SILL, AS SHOWN ABOVE.

NOTE: MAKE SURE THAT YOU ASSEMBLE THE FRAME, BEFORE YOU ATTACH THE SILL TO SUB-SILL.

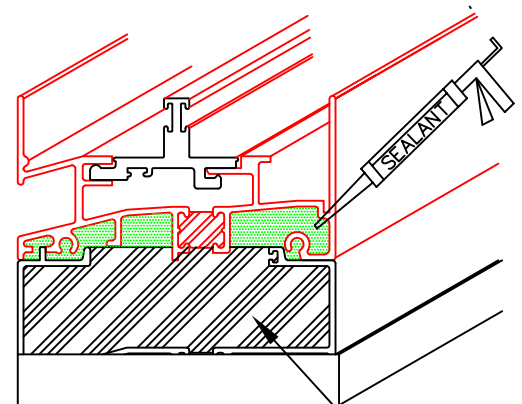
8



SECURE THE SILL TO THE SUBSILL USING #8 X 1-1/2" LONG TRUSS HEAD SCREWS AS SHOWN. USE (1) SCREW FOR EACH SILL MOUNTING PLATE. MAKE SURE SCREWS ARE IN-LINE WITH SILL MOUNTING PLATES.

9

**IMPORTANT NOTE:**  
FAILURE TO FOLLOW THESE INSTRUCTIONS, NULLIFIES ALL WARRANTIES RELATED TO THIS PRODUCT.



APPLY SEALANT IN BOTH ENDS BETWEEN THE SILL AND SUBSILL. NOTE: PLEASE ENSURE BOTH ENDS ARE ADEQUATELY SEALED TO PREVENT WATER LEAKAGE.

END DAM INSTALLED BY FLEETWOOD