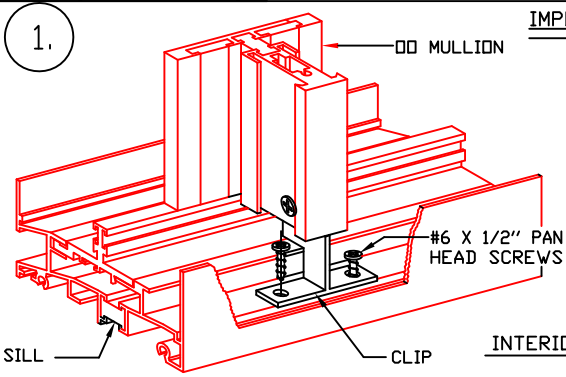


FLEETWOOD WINDOWS & DOORS

INSTALLATION/ASSEMBLY SERIES 530



IMPORTANT NOTE: FAILURE TO INSTALL & ASSEMBLE THE FRAME ACCORDING TO THESE INSTRUCTIONS, NULLIFIES ALL WARRANTIES RELATED TO THIS PRODUCT.

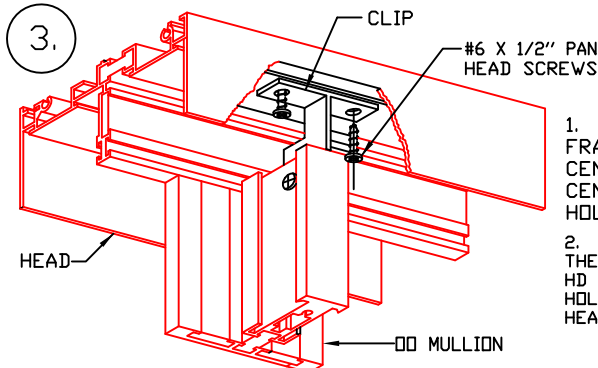
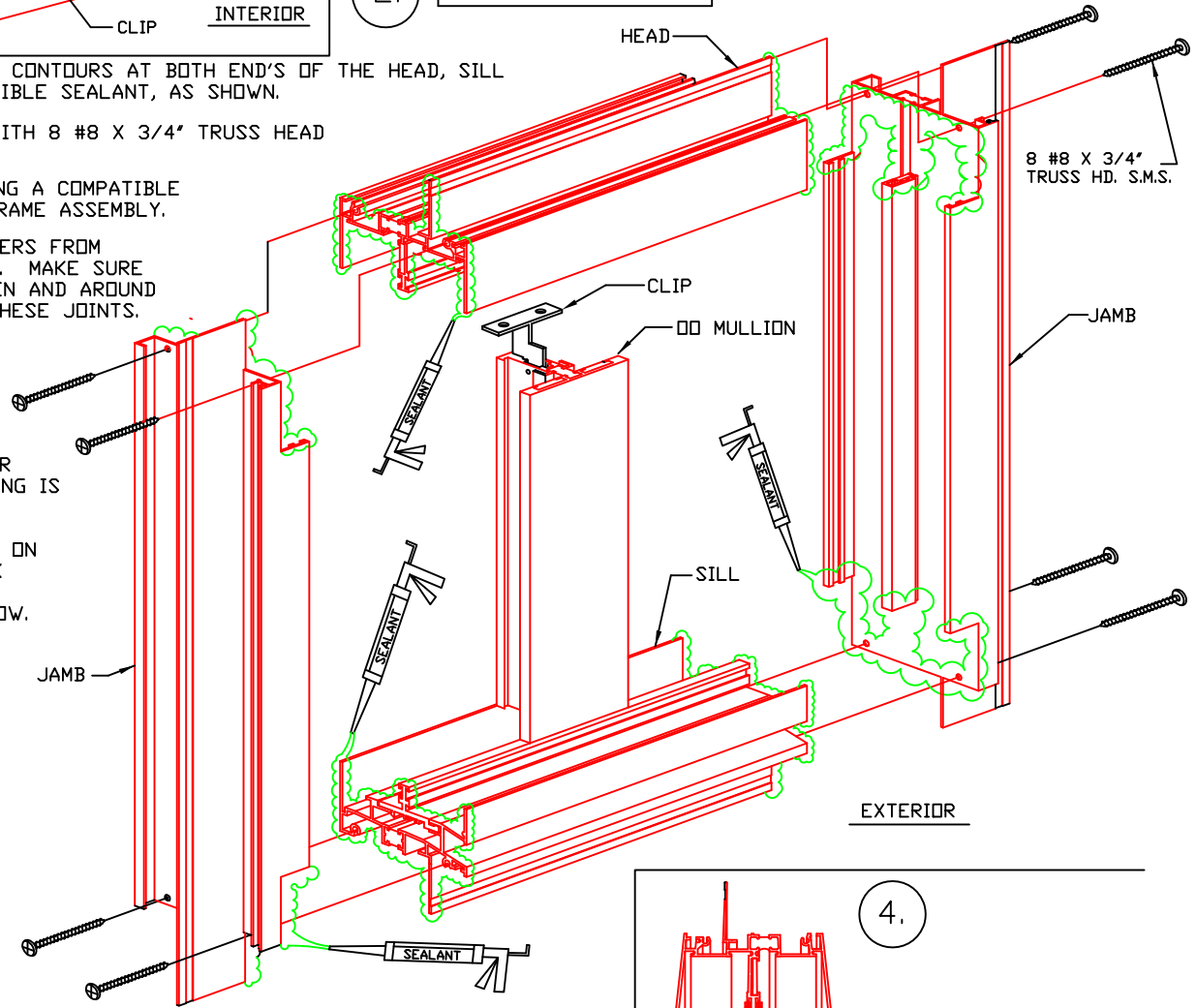
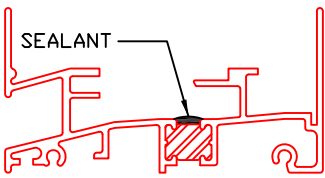
1. BEFORE ASSEMBLING THE FRAME, ALIGN THE "00" MULLION'S CENTERLINE WITH THE CENTERLINE OF THE SILL AND HOLD IN PLACE.
2. SECURE THE "00" MULLION TO THE SILL WITH 2 #6 X 1/2" PAN HD. TEK SCREWS THROUGH THE HOLE'S IN THE CLIP AND INTO THE SILL, AS SHOWN.

2. FRAME ASSEMBLY

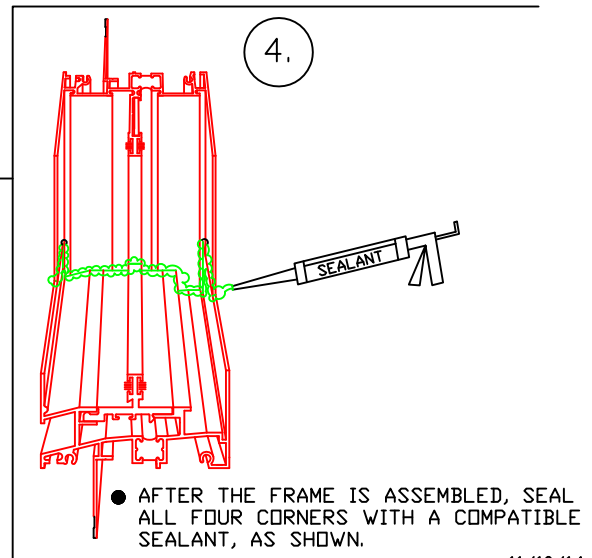
1. COMPLETELY COVER THE CONTOURS AT BOTH END'S OF THE HEAD, SILL AND JAMB'S WITH A COMPATIBLE SEALANT, AS SHOWN.
2. ASSEMBLE THE FRAME WITH 8 #8 X 3/4" TRUSS HEAD STAINLESS STEEL SCREWS.
3. SEAL ALL CORNERS, USING A COMPATIBLE SEALANT FOR THE ENTIRE FRAME ASSEMBLY.
4. SEAL THE OUTSIDE CORNERS FROM UNDERNEATH THE THRESHOLD. MAKE SURE AMPLE SEALANT IS FORCED IN AND AROUND EACH CONTOUR AT ALL OF THESE JOINTS.

NOTE: FOR EXTREME WEATHER APPLICATIONS, THE FOLLOWING IS RECOMMENDED.

APPLY COMPATIBLE SEALANT ON TOP OF THE THERMAL BREAK CAVITY FOR ALL SILLS OR STACK BARS AS SHOWN BELOW. APPLY THE SEALANT FULL LENGTH.



1. AFTER ASSEMBLING THE FRAME, ALIGN THE MULLION'S CENTERLINE WITH THE CENTERLINE OF THE HEAD AND HOLD IN PLACE.
2. SECURE THE 00 MULLION TO THE HEAD WITH 2 #6 X 1/2" PAN HD TEK SCREWS THROUGH THE HOLES IN THE CLIP AND INTO THE HEAD, AS SHOWN.



- AFTER THE FRAME IS ASSEMBLED, SEAL ALL FOUR CORNERS WITH A COMPATIBLE SEALANT, AS SHOWN.