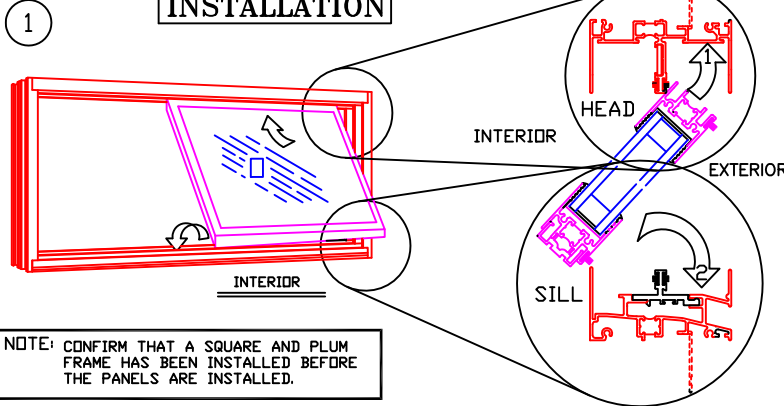


# FLEETWOOD WINDOWS & DOORS

## INSTALLATION/ASSEMBLY SERIES 530-T

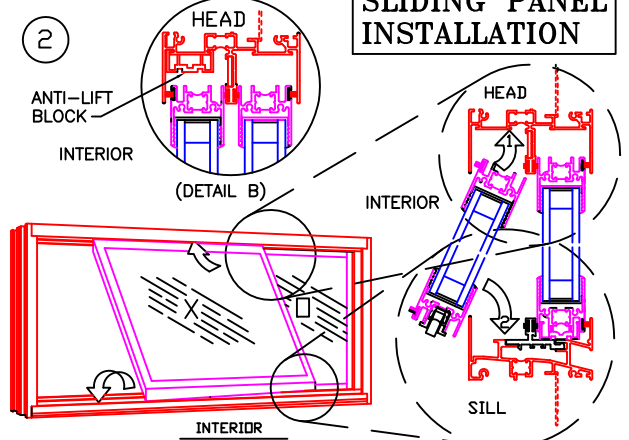
### FIXED PANEL INSTALLATION



NOTE: CONFIRM THAT A SQUARE AND PLUM FRAME HAS BEEN INSTALLED BEFORE THE PANELS ARE INSTALLED.

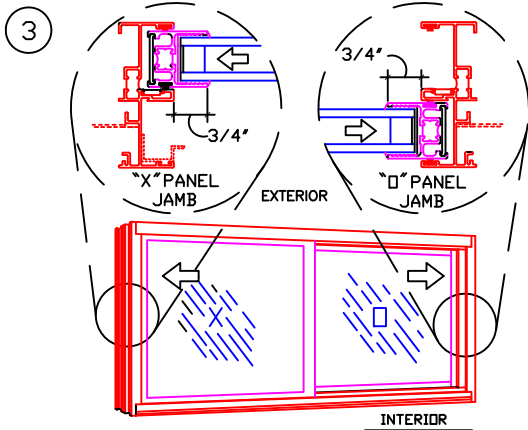
1. FROM THE INTERIOR, INSERT THE FIXED "D" PANEL INTO THE EXTERIOR CHANNEL OF THE HEAD, PUSH UP AND SWING THE BOTTOM OF THE PANEL IN AND DOWN INTO THE EXTERIOR CHANNEL OF THE SILL. DO NOT SECURE THE FIXED PANEL UNTIL STEP #5.

### SLIDING PANEL INSTALLATION

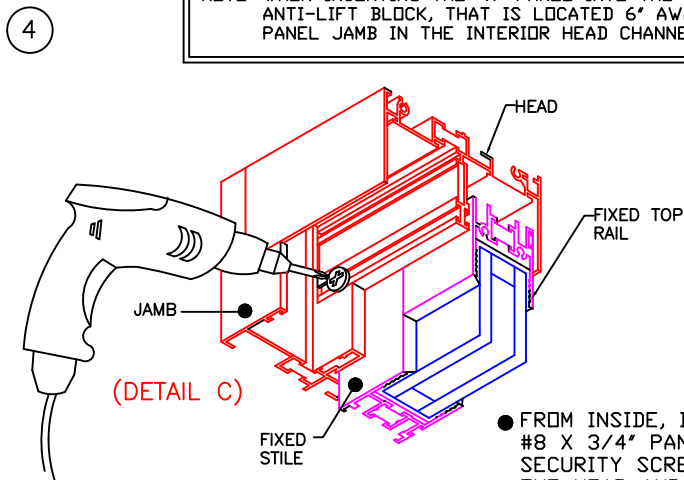


1. FROM THE INTERIOR, INSERT THE "X" PANEL INTO THE INTERIOR HEAD CHANNEL, PUSH UP AND SWING THE BOTTOM OF THE PANEL IN AND DOWN INTO THE INTERIOR SILL TRACK.

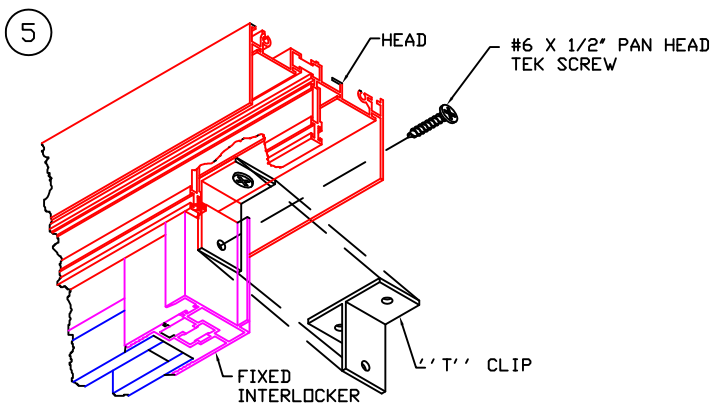
NOTE: WHEN INSERTING THE "X" PANEL INTO THE HEAD AVOID THE ANTI-LIFT BLOCK, THAT IS LOCATED 6" AWAY FROM THE "X" PANEL JAMB IN THE INTERIOR HEAD CHANNEL.



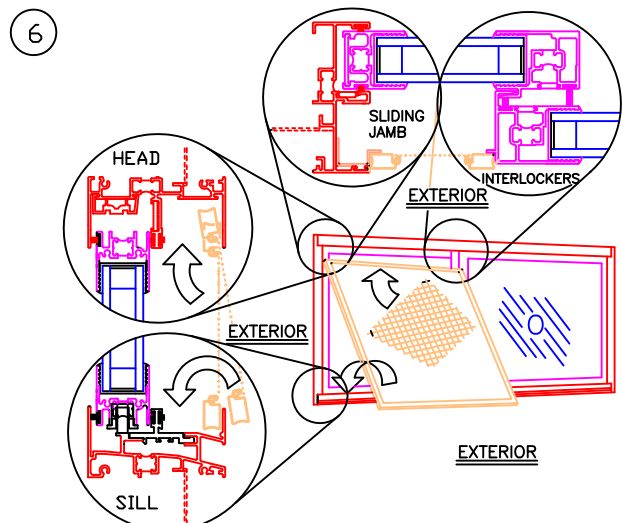
1. SLIDE THE SLIDING PANEL, INTO THE "X" PANEL JAMB UNTIL THE LEAD STILE REVEAL IS 3/4".
2. SLIDE THE FIXED PANEL, INTO THE "D" PANEL JAMB UNTIL THE CONTINUOUS FIXED STILE REVEAL IS 3/4".



- FROM INSIDE, INSTALL ONE #8 X 3/4" PAN HEAD TEK SECURITY SCREW THROUGH THE HEAD AND INTO THE FIXED STILE, AS SHOWN (DETAIL "C").



- STRUCTURALLY SECURE THE FIXED PANEL TO THE HEAD WITH A "T" CLIP, AS SHOWN.
- SECURE THE "T" CLIP TO THE HEAD WITH TWO #6 X 1/2" PAN HEAD TEK SCREWS, AS SHOWN.



- INSERT THE SCREEN INTO THE EXTERIOR LIP OF THE HEAD. PUSH UP AND SWING IN AND DOWN INTO THE EXTERIOR SILL TRACK, AS SHOWN.