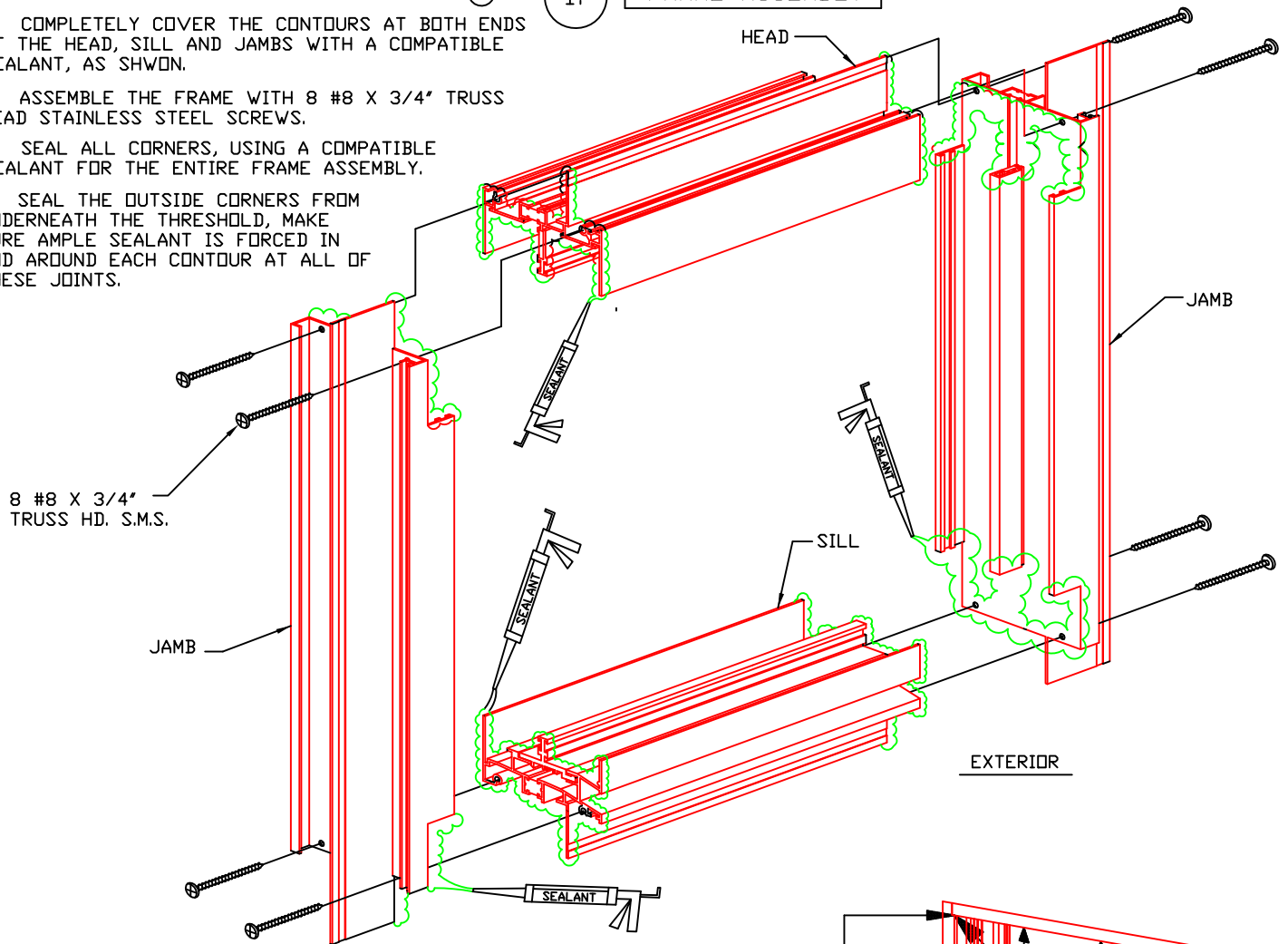


FLEETWOOD WINDOWS & DOORS

INSTALLATION/ASSEMBLY SERIES 530-T

1. IF FRAME WAS FACTORY ASSEMBLED, GO TO ②
2. COMPLETELY COVER THE CONTOURS AT BOTH ENDS OF THE HEAD, SILL AND JAMBS WITH A COMPATIBLE SEALANT, AS SHOWN.
3. ASSEMBLE THE FRAME WITH 8 #8 X 3/4" TRUSS HEAD STAINLESS STEEL SCREWS.
4. SEAL ALL CORNERS, USING A COMPATIBLE SEALANT FOR THE ENTIRE FRAME ASSEMBLY.
5. SEAL THE OUTSIDE CORNERS FROM UNDERNEATH THE THRESHOLD, MAKE SURE AMPLE SEALANT IS FORCED IN AND AROUND EACH CONTOUR AT ALL OF THESE JOINTS.

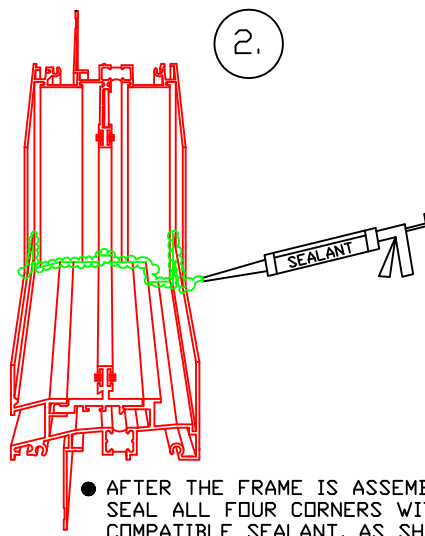
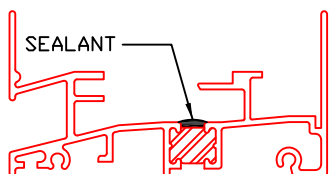
1. FRAME ASSEMBLY



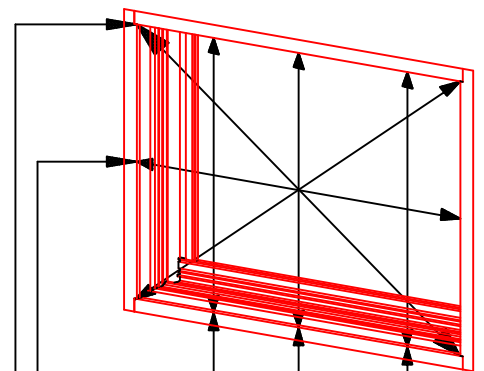
2.

NOTE: FOR EXTREME WEATHER APPLICATIONS, THE FOLLOWING IS RECOMMENDED.

APPLY COMPATIBLE SEALANT ON TOP OF THE THERMAL BREAK CAVITY FOR ALL SILLS OR STACK BARS AS SHOWN BELOW. APPLY THE SEALANT FULL LENGTH.



- AFTER THE FRAME IS ASSEMBLED, SEAL ALL FOUR CORNERS WITH A COMPATIBLE SEALANT, AS SHOWN.



- MEASURE THE NET FRAME HEIGHT AT THE CENTER AND AT THE JAMB HEIGHTS, TO INSURE A SQUARE WINDOW.
- CENTER THE FRAME IN THE OPENING. TEMPORARILY SECURE THE JAMBS WITH NAILS THROUGH THE PREDRILLED HOLES IN THE JAMBS.
- TO INSURE THE PROPER PERFORMANCE OF THE WINDOW, THE HORIZONTAL CENTERLINE OF THE FRAME MUST BE EQUAL TO THE NET FRAME WIDTH AT THE HEAD AND SILL.
- TO INSURE A SQUARE WINDOW FRAME, MEASURE DIAGONALLY FROM CORNER TO CORNER. WHEN DIAGONAL MEASUREMENTS ARE EQUAL, THE FRAME IS SQUARE.