

ASSEMBLY / PARTS LIST (B.O.M.)

Series: 530-T
Type: XO/XO Configuration

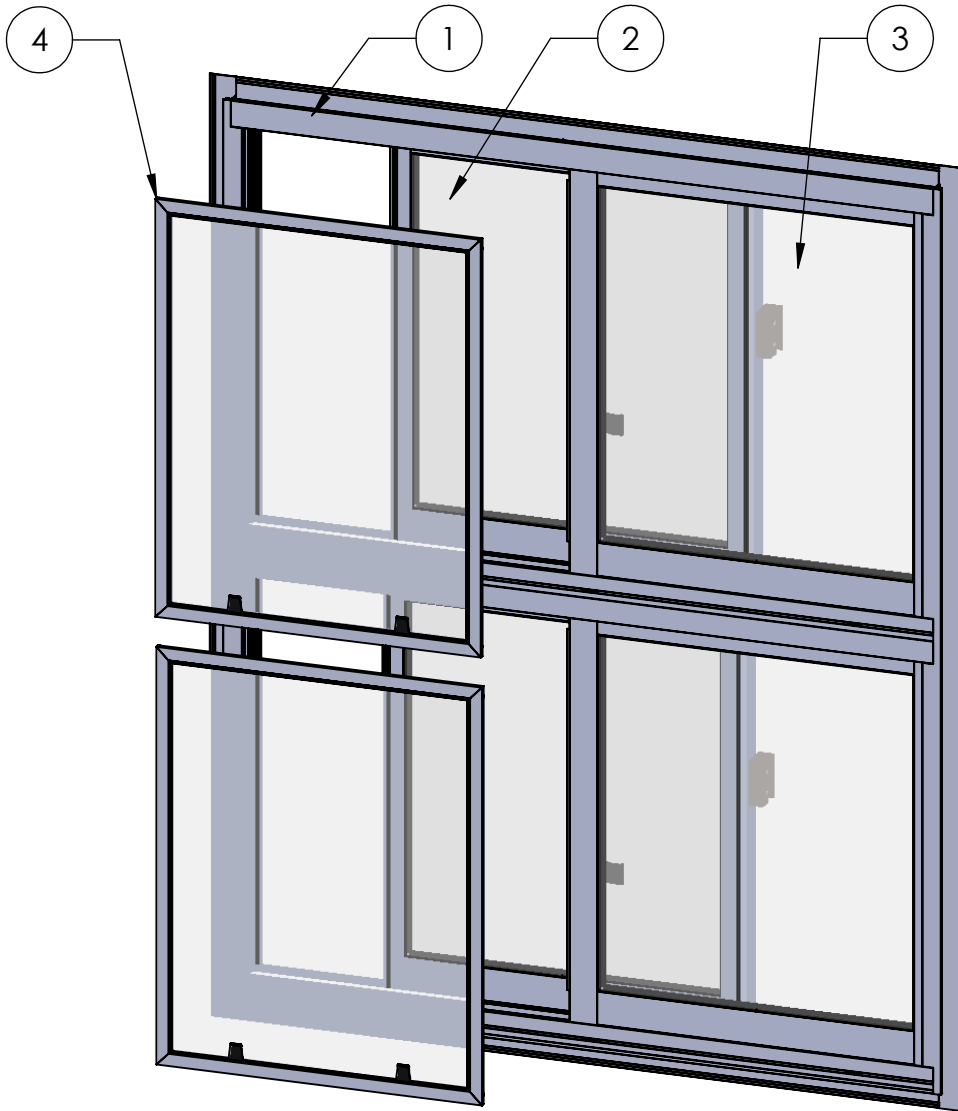
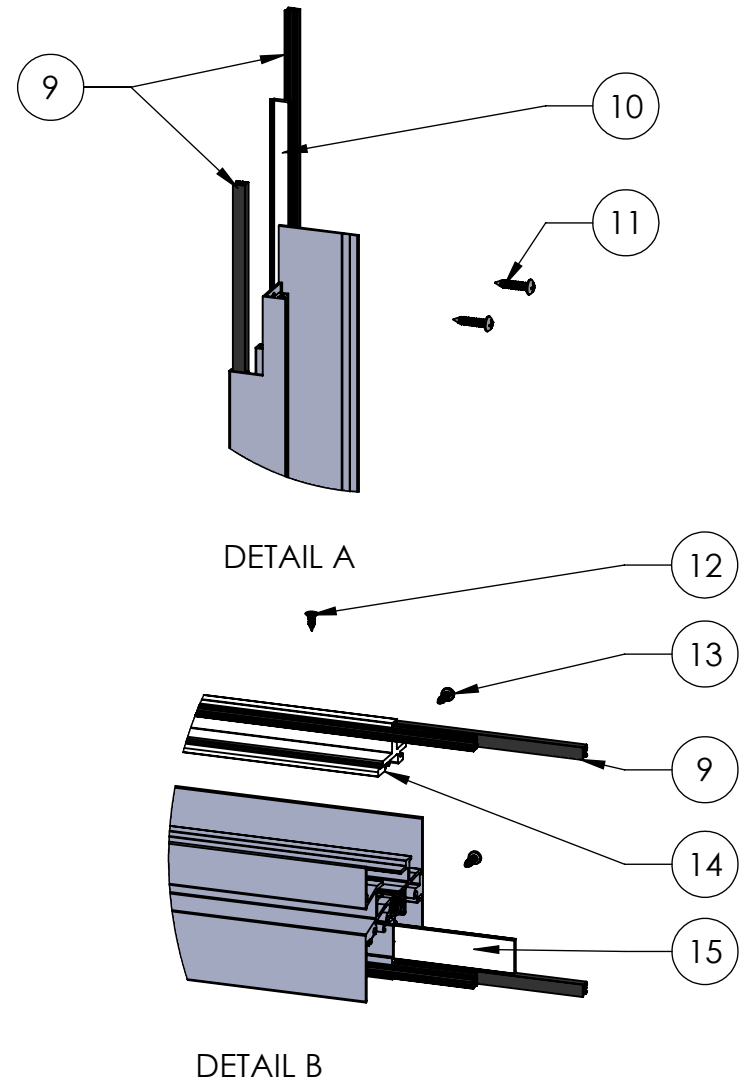
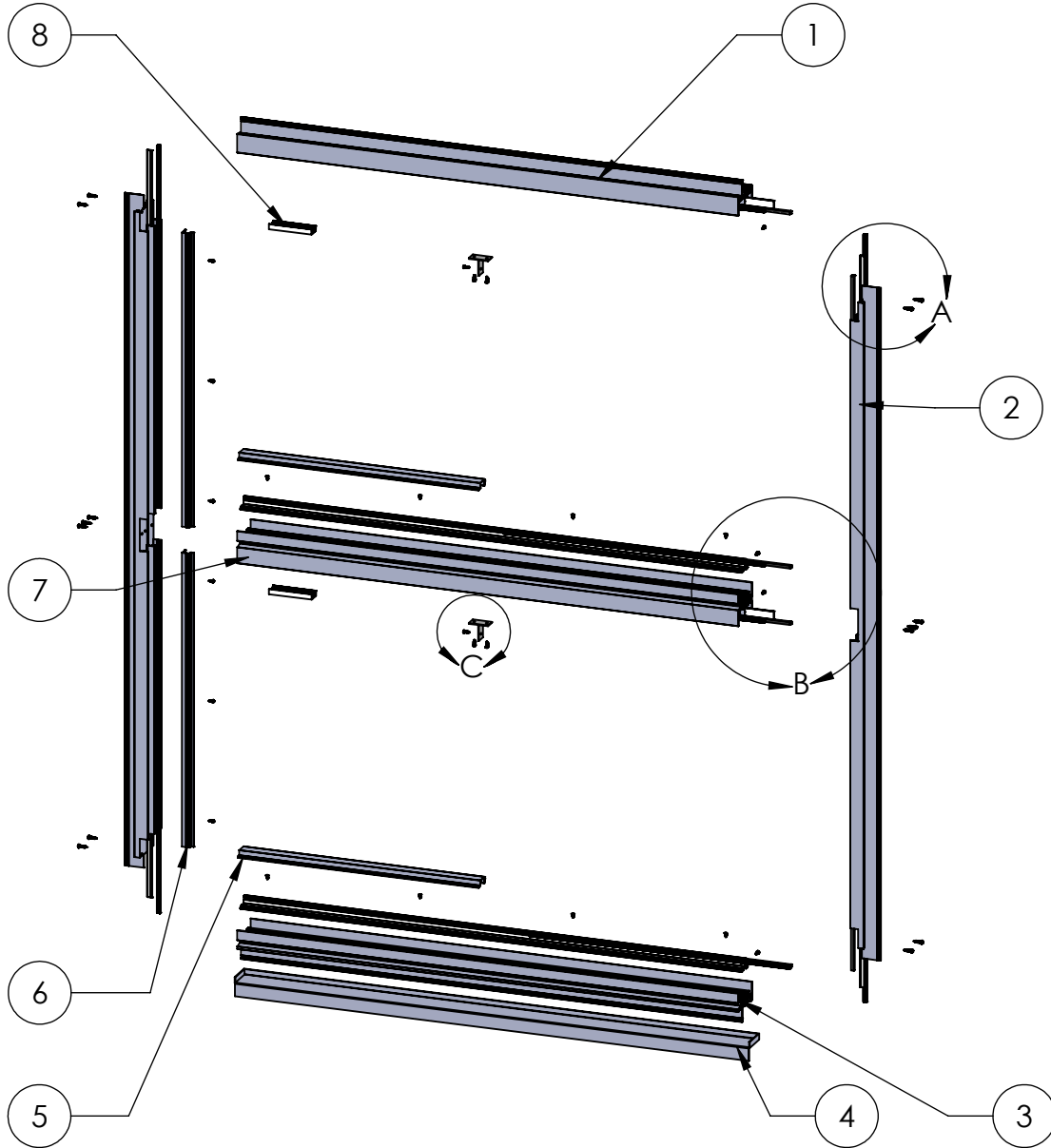


TABLE OF CONTENTS

ITEM NO.	PART NUMBER	QTY.	PAGE #
1	Frame Assembly	1	2-3
2	X Panel Assembly	2	4-5
3	O Panel Assembly	2	6-7
4	Screen Assembly	2	8

Description Table of Contents	
File Name Series 530-T XO/XO Assembly	REV A
Released 10/7/2020	SHEET 1 OF 8

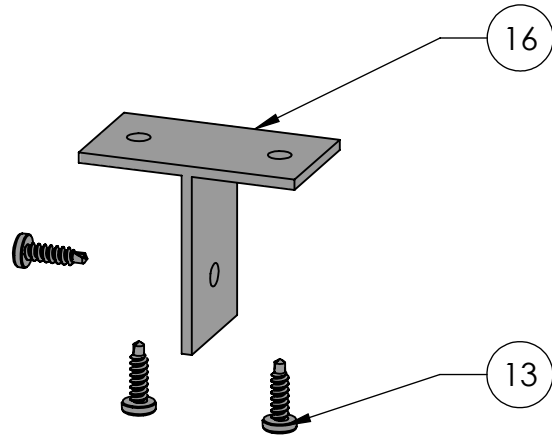
ASSEMBLY / PARTS LIST (B.O.M.)



PROPRIETARY AND CONFIDENTIAL
 THE INFORMATION CONTAINED IN THIS DRAWING IS THE SOLE PROPERTY OF FLEETWOOD WINDOWS & DOORS.
 ANY REPRODUCTION IN PART OR AS A WHOLE WITHOUT THE WRITTEN PERMISSION OF FLEETWOOD WINDOWS & DOORS IS PROHIBITED.

Description Frame Assembly	
File Name Series 530-T XO/XO Assembly	REV A
Released 10/7/2020	SHEET 2 OF 8

ASSEMBLY / PARTS LIST (B.O.M.)



DETAIL C

EXTRUSIONS			
ITEM NO.	PART NUMBER	DESCRIPTION	QTY.
1	5309	Nail-on Head	1
2	5301	Nail-On Jamb	2
3	5343	Nail-on Sill	1
4	SPN530N	Nailfin Sill Pan	1
5	5311	Sill Filler/Closer	2
6	5390	Screen Adapter (Slider Jamb)	2
7	5367	Integral Stack Bar (Std)	1
HARDWARE			
ITEM NO.	PART NUMBER	DESCRIPTION	QTY.
8	22918	Anti-Lift/Fix Pan Guide (BL1397)	2
9	19118	Small Fin Seal Mohair (23027045BKQB)	14
10	22913	PVC Jamb Isolator	4
11	20314	#8 PHP-A Screw, .75 in, SS, Clear	14
12	20901	#6 X 3/8" UC FHSM	Varies
13	20228, 20229	#6 PHP-TEK, .5, (S.S., Black)	10
14	19092	PVC Sill Center	2
15	19095	PVC Head Filler (BL1265)	2
16	25766, 25767	T-Clip, (Clear, Black)	2

Description Frame Assembly	
File Name Series 530-T XO/XO Assembly	REV A
Released 10/7/2020	SHEET 3 OF 8

