

# ASSEMBLY / PARTS LIST (B.O.M.)

Series: 530-T  
 Type: XO Configuration

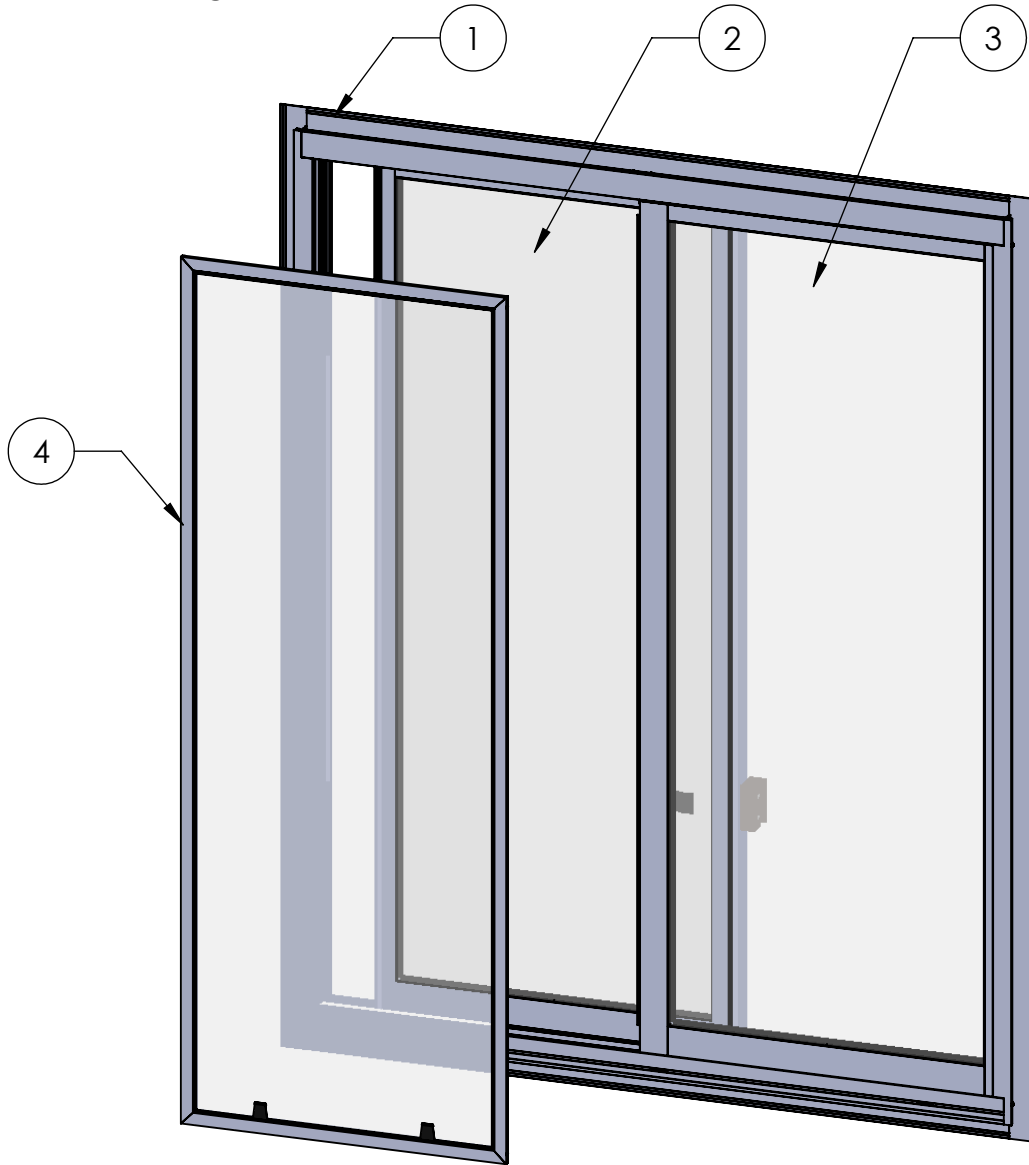
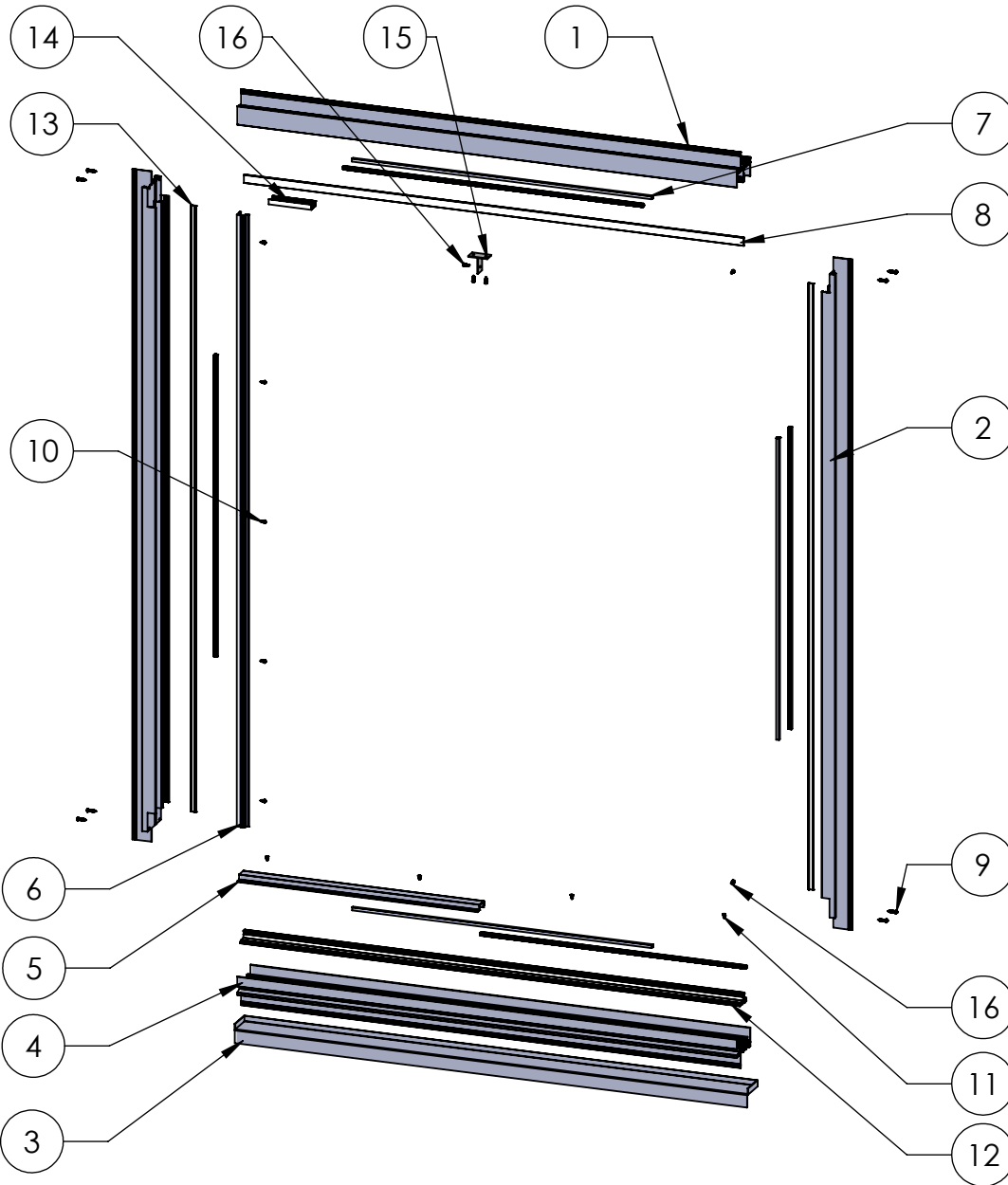


TABLE OF CONTENTS			
ITEM NO.	DESCRIPTION	QTY.	PAGE #
1	Frame Assembly	1	2
2	X Panel Assembly	1	3
3	O Panel Assembly	1	4
4	Screen Assembly	1	5

Description Table of Contents	
File Name Series 530-T XO Assembly	REV <b>A</b>
Released 9/28/2020	SHEET 1 OF 5

# ASSEMBLY / PARTS LIST (B.O.M.)



## EXTRUSIONS

ITEM NO.	PART NUMBER	DESCRIPTION	QTY.
1	5309	Nail-on Head	1
2	5301	Nail-on Jamb	2
3	SPN530N	Nailfin Sill Pan	1
4	5343	Nail-on Sill	1
5	5311	Sill Filler/Closer	1
6	5390	Screen Adapter (Slider Jamb)	1

## HARDWARE

ITEM NO.	PART NUMBER	DESCRIPTION	QTY.
7	19118	Small Fin Seal Mohair (23027045BKQB)	7
8	19095	PVC Head Filler (BL1265)	1
9	20314	#8 PHP-A Screw, .75 in, SS, Clear	8
10	20225	#6 PHP-TEK, .375, SS, Clear	Varies
11	20901	#6 X 3/8" UC FHSM	Varies
12	19092	PVC Sill Center	1
13	22913	PVC Jamb Isolator	2
14	22918	Anti-Lift/Fix Pan Guide (BL1397)	1
15	25766, 25767	T-Clip, (Clear, Black)	1
16	20228, 20229	#6 PHP-TEK, .5 in. (S.S., Black)	5

Description  
 Frame Assembly

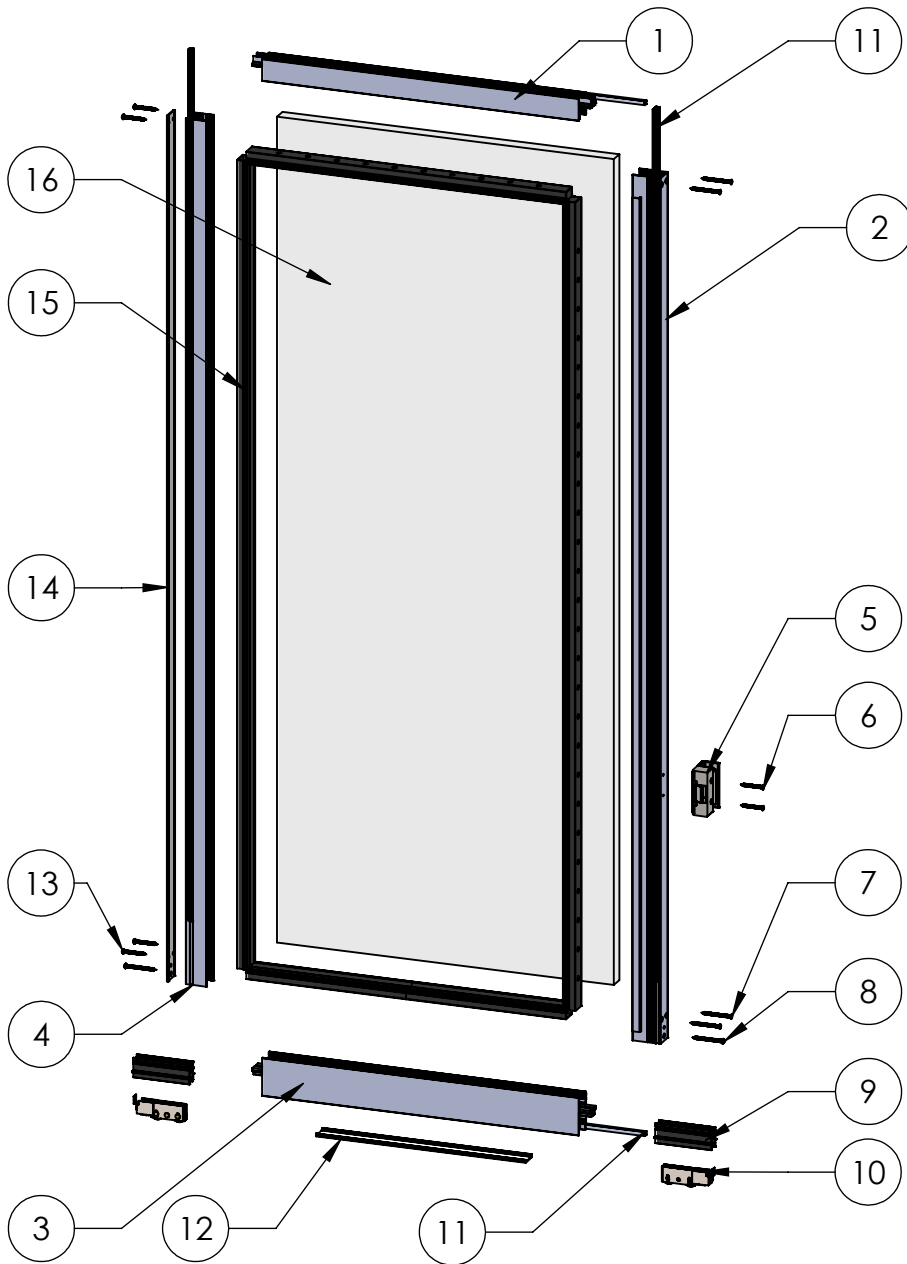
File Name  
 Series 530-T XO Assembly

REV  
**A**

Released 9/28/2020

SHEET 2 OF 5

# ASSEMBLY / PARTS LIST (B.O.M.)



## EXTRUSIONS

ITEM NO.	PART NUMBER	DESCRIPTION	QTY.
1	5348	Top Rail DG	1
2	5371	Sliding Interlock DG	1
3	5349	Bottom Rail DG	1
4	5338	Lead Stile DG	1

## HARDWARE

ITEM NO.	PART NUMBER	DESCRIPTION	QTY.
5	24636	Archetype Sliding Window Latch SS (170-000)	1
6	20252, 20253	#8 FHP Screw, 1.5 in. (S.S., Black)	2
7	20258	#8 FHP - A, 2 in, SS, Clear	4
8	20326, 20327	#8 PHP - A, 2.0", SS, (Clear, Black)	2
9	19107	Roller Insert - Wheel Housing (AN 9853)	2
10	18894	Aspen Tandem Nylon Roller	2
11	19118	Small Fin Seal (23027045bkqb)	4
12	22938	Bottom Rail Spreader (BL 798)	1
13	20324	#8 PHP - A, 1.5 in. (Black)	4
14	19113	PVC Spreader Bar, Leadstile (BL 1395)	1
15	19056	1" Glazing Vinyl (Shown)	1
16	-	Glass	1

Description  
X Panel Assembly

File Name  
Series 530-T XO Assembly

REV  
**A**

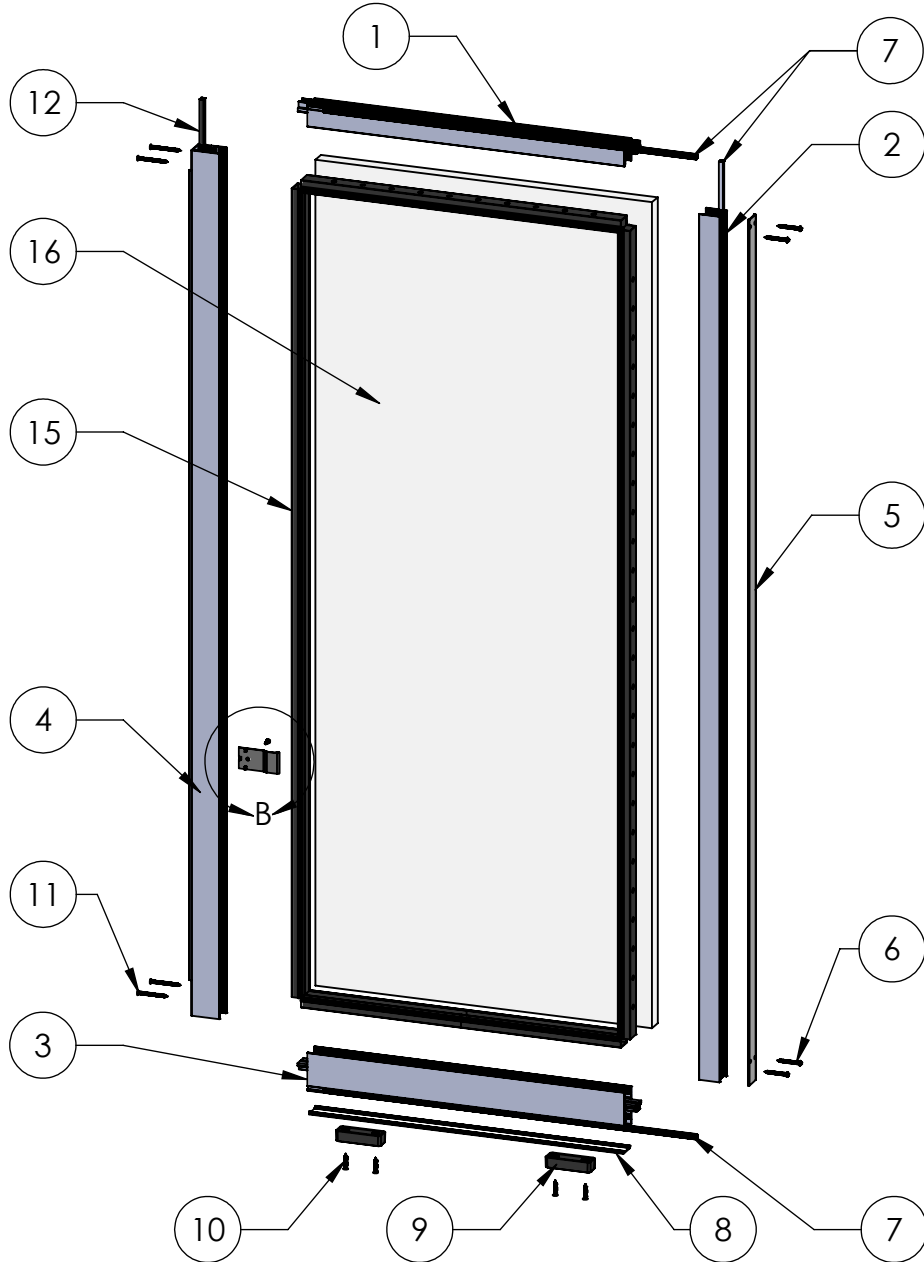
Released 9/28/2020

SHEET 3 OF 5

**PROPRIETARY AND CONFIDENTIAL**

THE INFORMATION CONTAINED IN THIS DRAWING IS THE SOLE PROPERTY OF FLEETWOOD WINDOWS & DOORS.  
ANY REPRODUCTION IN PART OR AS A WHOLE WITHOUT THE WRITTEN PERMISSION OF FLEETWOOD WINDOWS & DOORS IS PROHIBITED.

# ASSEMBLY / PARTS LIST (B.O.M.)

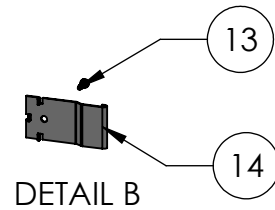


## EXTRUSIONS

ITEM NO.	PART NUMBER	DESCRIPTION	QTY.
1	5348	Top Rail DG	1
2	5338	Lead Stile DG	1
3	5349	Bottom Rail DG	1
4	5370	Fixed Interlock DG	1

## HARDWARE

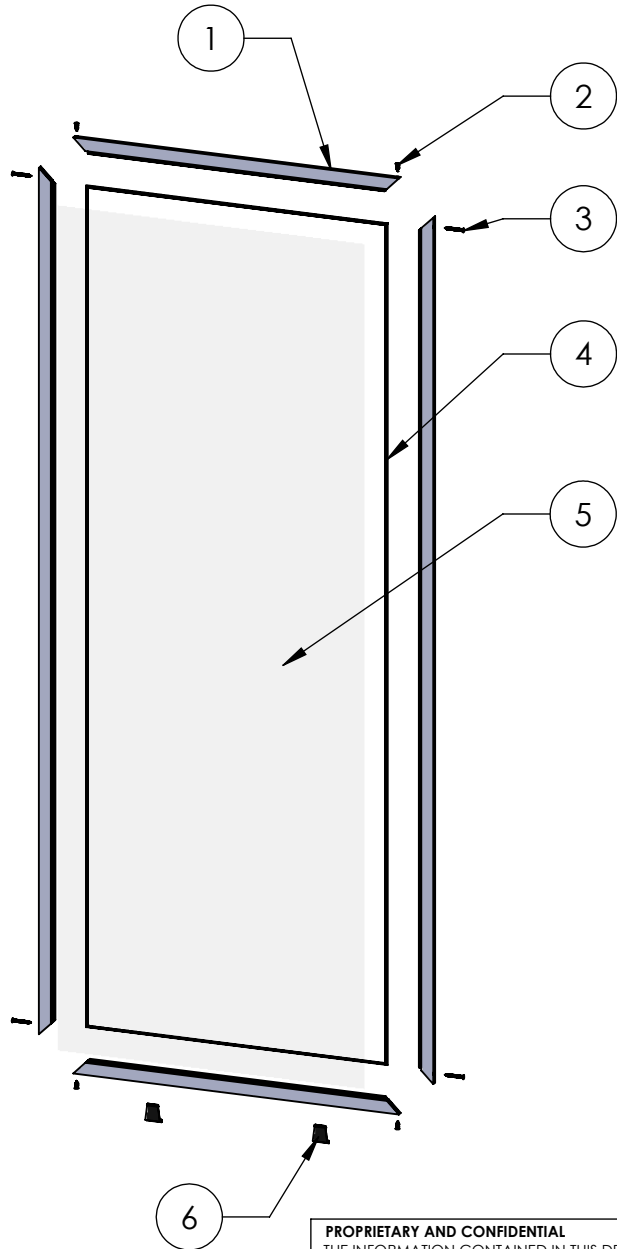
ITEM NO.	PART NUMBER	DESCRIPTION	QTY.
5	19113	PVC Spreader Bar, Leadstile (KB1395)	1
6	20324	#8 PHP - A, 1.5 in. (Black)	4
7	19118	Weather Strip 23027045BKQB	3
8	22938	Bottom Rail Spreader (BL 798)	1
9	25386	Fix Panel Block	2
10	20248	#8 FHP - A, 1", SS, Black	4
11	20258	#8 FHP - A, 2 in, SS, Clear	4
12	19117	Large Fin Seal Mohair (29027045BKGB)	1
13	20228, 20229	#6 PHP-TEK, .5 in. (S.S., Black)	1
14	24106	Aspen Strike Plate (Keeper)	1
15	19056	1" Glazing Vinyl (Shown)	1
16	-	Glass	1



**PROPRIETARY AND CONFIDENTIAL**  
THE INFORMATION CONTAINED IN THIS DRAWING IS THE SOLE PROPERTY OF FLEETWOOD WINDOWS & DOORS.  
ANY REPRODUCTION IN PART OR AS A WHOLE WITHOUT THE WRITTEN PERMISSION OF FLEETWOOD WINDOWS & DOORS IS PROHIBITED.

Description O Panel Assembly	
File Name Series 530-T XO Assembly	REV <b>A</b>
Released 9/28/2020	SHEET 4 OF 5

# ASSEMBLY / PARTS LIST (B.O.M.)



EXTRUSIONS			
ITEM NO.	PART NUMBER	DESCRIPTION	QTY.
1	114	5/16" Screen Frame	4
HARDWARE			
ITEM NO.	PART NUMBER	DESCRIPTION	QTY.
2	25752, 20234	#6 FHP Screw, 0.5 in. (S.S., Black)	4
3	25751	#6 FHP-A, 1.25 in, SS, Clear	4
4	19127	Screen Spline .150	1
5	-	Ultra VUE Screen Mesh	1
6	25495	Screen Tab	2

**PROPRIETARY AND CONFIDENTIAL**  
 THE INFORMATION CONTAINED IN THIS DRAWING IS THE SOLE PROPERTY OF FLEETWOOD WINDOWS & DOORS.  
 ANY REPRODUCTION IN PART OR AS A WHOLE WITHOUT THE WRITTEN PERMISSION OF FLEETWOOD WINDOWS & DOORS IS PROHIBITED.

Description Screen Assembly	
File Name Series 530-T XO Assembly	REV <b>A</b>
Released 9/28/2020	SHEET 5 OF 5