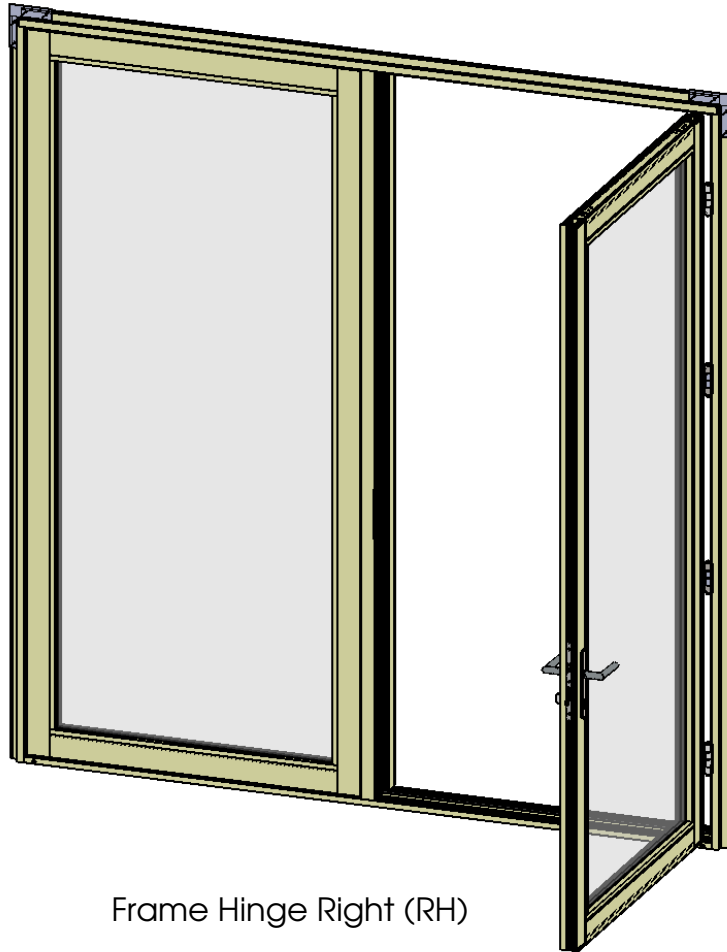


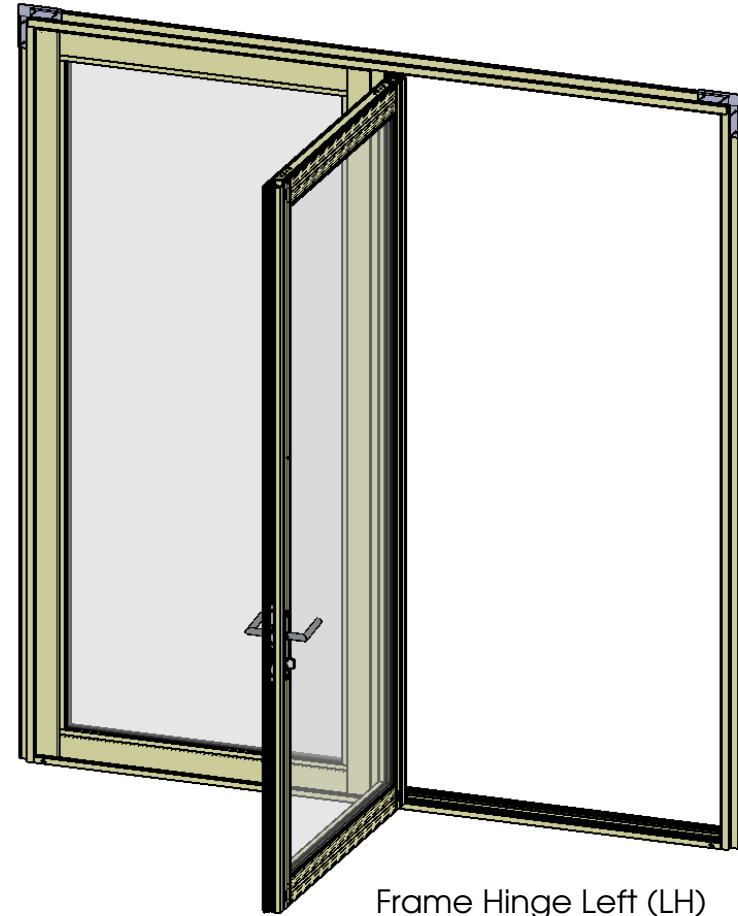
ASSEMBLY / PARTS LIST (B.O.M.)

Series: 3200-T
Type: OH Hinged

TABLE OF CONTENTS			
ITEM NO.	DESCRIPTION	QTY.	PAGE #
1	Series 3200-T Frame Assembly	1	2-4
2	Series 3200-T H Active Panel	1	5-6
3	Series 3200-T H Fixed Panel	1	7-8



Frame Hinge Right (RH)

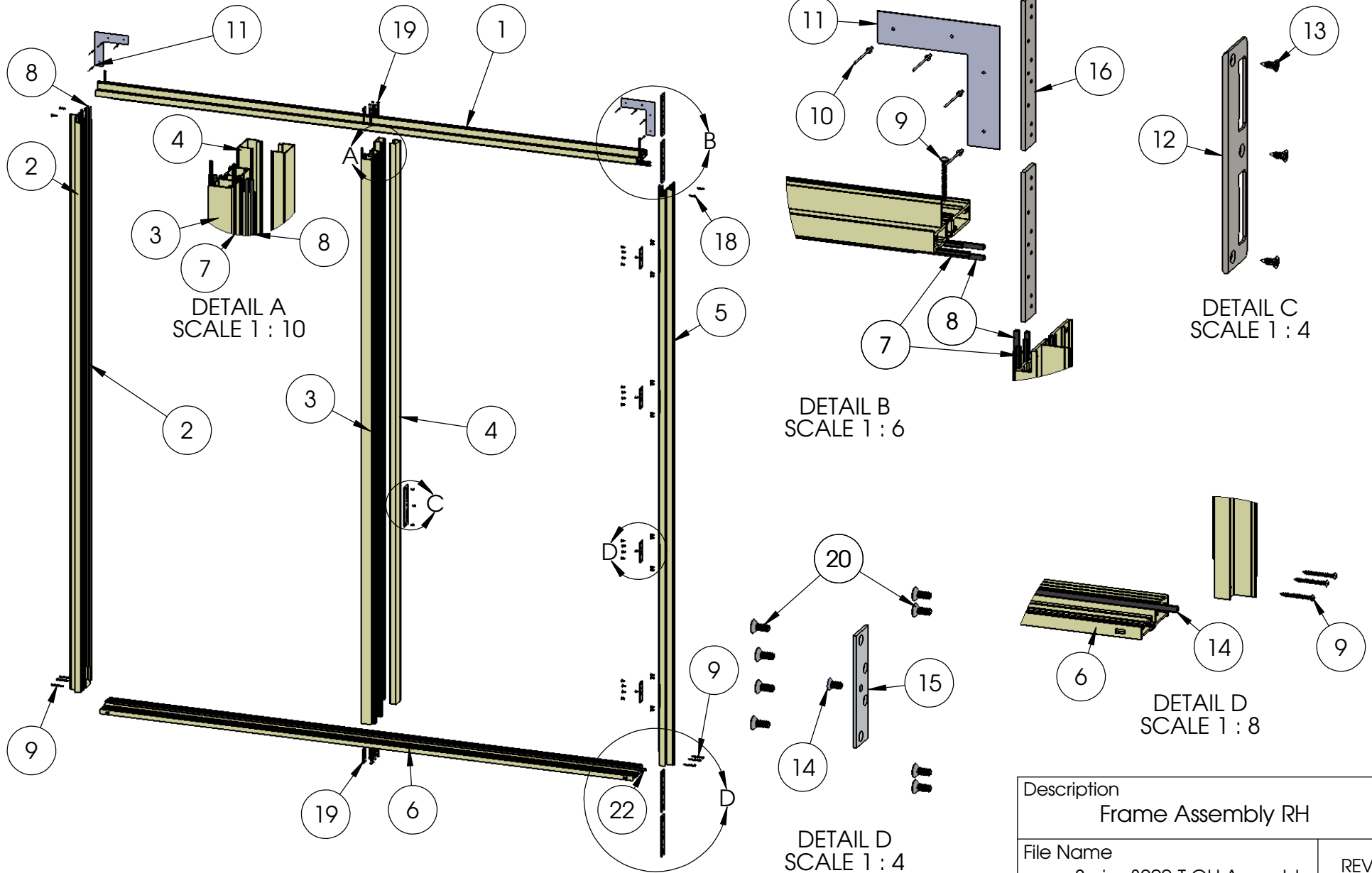


Frame Hinge Left (LH)

Out-Swing
Door Shown

Description Table of Contents	
File Name Series 3200-T OH Assembly	REV -
Released 12/1/2016	SHEET 1 OF 8

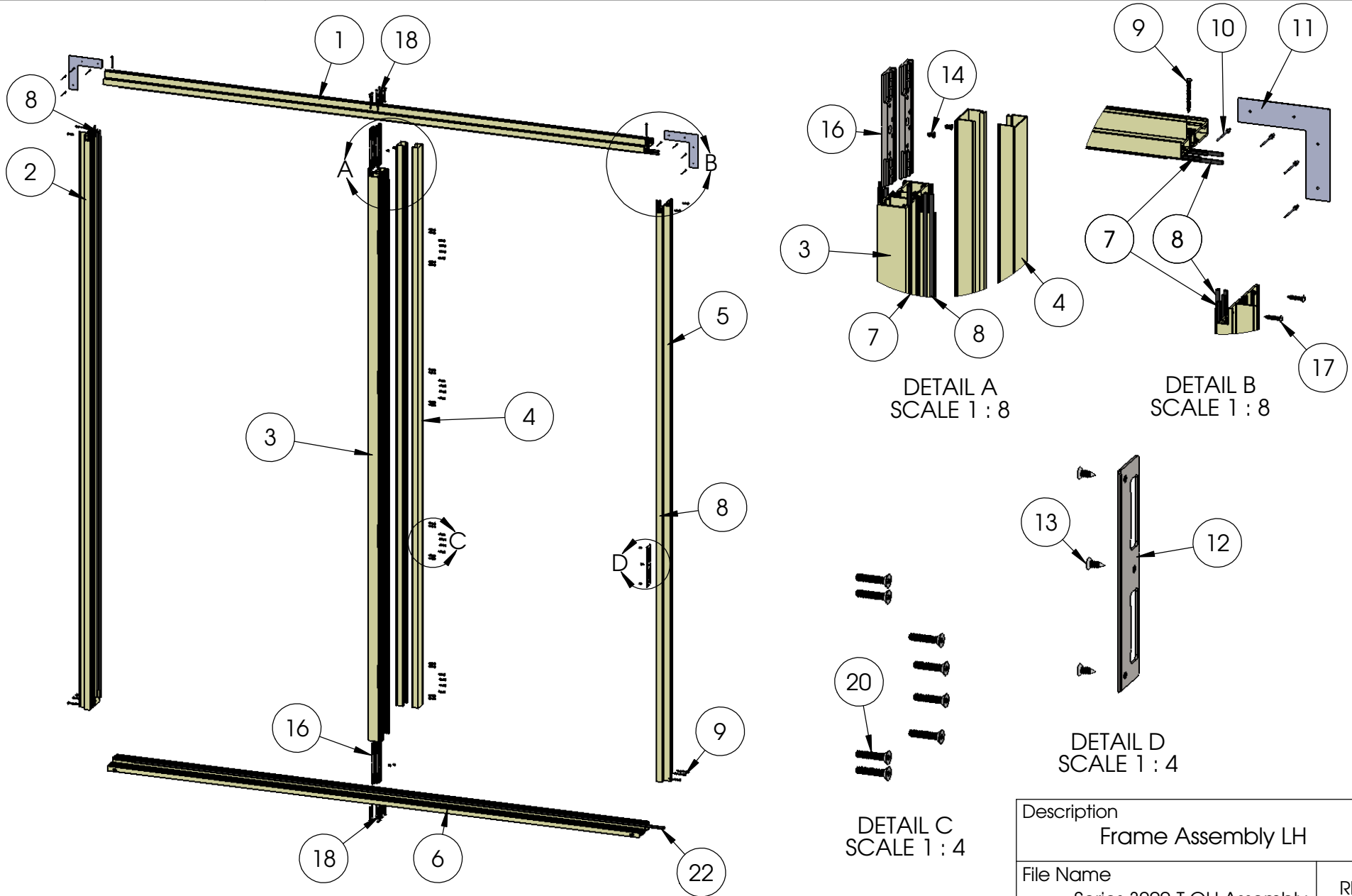
ASSEMBLY / PARTS LIST (B.O.M.)



PROPRIETARY AND CONFIDENTIAL
THE INFORMATION CONTAINED IN THIS DRAWING IS THE SOLE PROPERTY OF FLEETWOOD WINDOWS & DOORS.
ANY REPRODUCTION IN PART OR AS A WHOLE WITHOUT THE WRITTEN PERMISSION OF FLEETWOOD WINDOWS & DOORS IS PROHIBITED.

Description Frame Assembly RH	
File Name Series 3200-T OH Assembly	REV -
Released	12/1/2016
SHEET 2 OF 8	

ASSEMBLY / PARTS LIST (B.O.M.)



DETAIL A
SCALE 1 : 8

DETAIL B
SCALE 1 : 8

DETAIL C
SCALE 1 : 4

DETAIL D
SCALE 1 : 4

PROPRIETARY AND CONFIDENTIAL
THE INFORMATION CONTAINED IN THIS DRAWING IS THE SOLE PROPERTY OF FLEETWOOD WINDOWS & DOORS.
ANY REPRODUCTION IN PART OR AS A WHOLE WITHOUT THE WRITTEN PERMISSION OF FLEETWOOD WINDOWS & DOORS IS PROHIBITED.

Description Frame Assembly LH	
File Name Series 3200-T OH Assembly	REV -
Released	12/1/2016
SHEET 3 OF 8	

ASSEMBLY / PARTS LIST (B.O.M.)

EXTRUSIONS

ITEM NO.	PART NUMBER	DESCRIPTION	QTY. (AS SHOWN)
1	3207,3208,3209	Head (Block,In-Swing,Out-Swing)	1
2	3207,3208,3209	Left Jamb (Block,In-Swing,Out-Swing)	1
3	3913	Frame Tee Bar Assembly	1
4	3912	Snap-in	2
5	3207,3208,3209	Right Jamb (Block,In-Swing,Out-Swing)	1
6	3904,3202,3510	Standard Sill Assembly (Out-Swing,In-Swing,ADA Sill)	1

HARDWARE

ITEM NO.	PART NUMBER	DESCRIPTION	QTY. (AS SHOWN)
7	25189	Q-Lon Foam Seal (at Jambs and Head)	8
8	25199	Mini Bulb Vinyl (at Jambs and Head)	10
9	20355	Screw No. 10, Pan Head Phillips , 2 in	8
10	25504	Pop Rivet (For Nail-Fin Door)	8
11	18629	Nail-Fin Corner (For Nail-Fin Door)	2
12	24993	Latch-Deadbolt Strike Plate	1
13	20275	Screw No. 10, .50", FHP ,Undercut Head	3
14	20266	Screw No.10-32, Flat Undercut Head Phil.,0.375 In	4
15	25202	Hinge Back Up Plate Spacer -Frame	4
16	25192	Hinge Back Up Plate-Frame	4
17	25680	Hinge Back Up Plate Spacer - TDL	4
18	20350	Screw No. 10 Screw, Pan Head Phillips,1 in.	4
19	25075	No. 10 Screw, PHP, 2.5 In	16
20	25486,(25487)	# 10-32 FH Torx Screw, 0.5", SS, Clear (Black), Driver Size T25	32
21	25488,(25489)	# 10-32 FH Torx Screw, 1", SS, Clear (Black), Driver Size T25	32
22	25059	Q-Lon Foam Seal	1

Description
Frame Assembly B.O.M.

File Name
Series 3200-T OH Assembly

REV
-

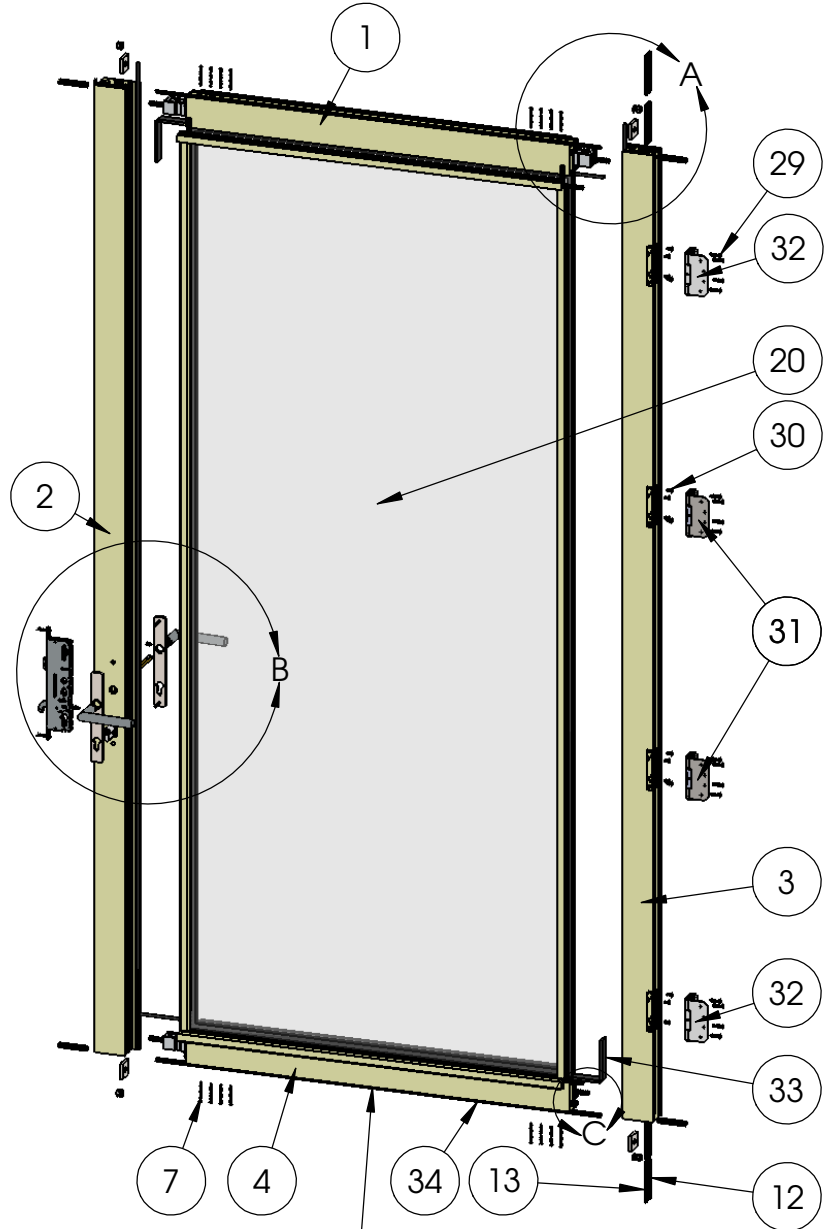
PROPRIETARY AND CONFIDENTIAL

THE INFORMATION CONTAINED IN THIS DRAWING IS THE SOLE PROPERTY OF FLEETWOOD WINDOWS & DOORS.
ANY REPRODUCTION IN PART OR AS A WHOLE WITHOUT THE WRITTEN PERMISSION OF FLEETWOOD WINDOWS & DOORS IS PROHIBITED.

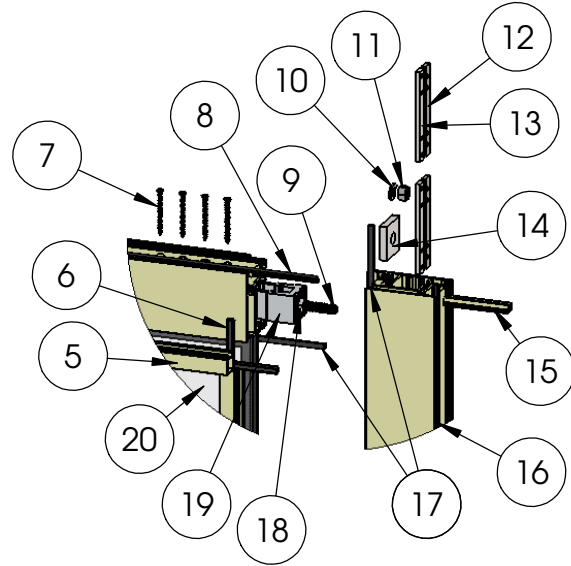
Released 12/1/2016

SHEET 4 OF 8

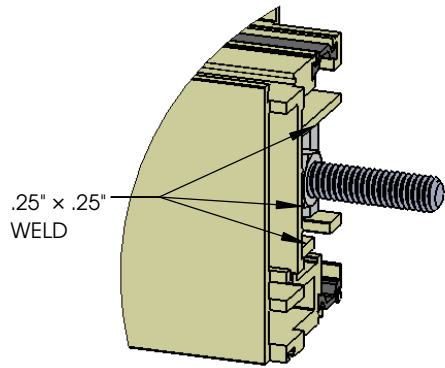
ASSEMBLY / PARTS LIST (B.O.M.)



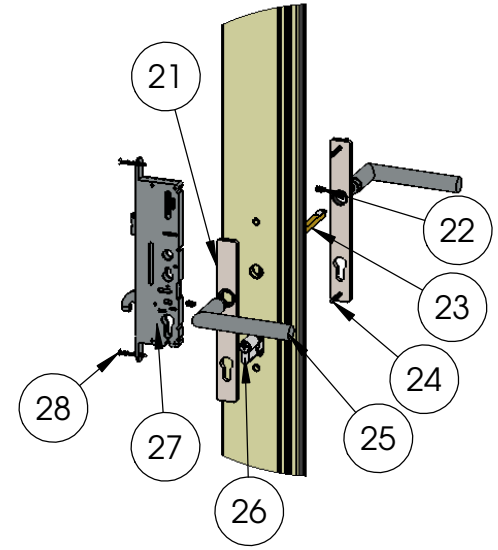
NOTE: If ADA Door
Comp. #23229
bottom seal only



DETAIL A
SCALE 1 : 8



DETAIL C
SCALE 1 : 2



DETAIL B
SCALE 1 : 10

PROPRIETARY AND CONFIDENTIAL
THE INFORMATION CONTAINED IN THIS DRAWING IS THE SOLE PROPERTY OF FLEETWOOD WINDOWS & DOORS.
ANY REPRODUCTION IN PART OR AS A WHOLE WITHOUT THE WRITTEN PERMISSION OF FLEETWOOD WINDOWS & DOORS IS PROHIBITED.

Description Active Panel Assembly	
File Name Series 3200-T OH Assembly	REV -
Released	12/1/2016
SHEET 5 OF 8	

ASSEMBLY / PARTS LIST (B.O.M.)

EXTRUSIONS

ITEM NO.	PART NUMBER	DESCRIPTION	QTY. (AS SHOWN)
1	3203	Top Rail	1
2	3204	Sash - Lock Stile	1
3	3203	Sash- Hinge Stile	1
4	3203	Bottom Rail	1
5	3907	1" Glass Stop (Shown)	4

HARDWARE

ITEM NO.	PART NUMBER	DESCRIPTION	QTY. (AS SHOWN)
6	25031	Bulb Vinyl-Large	4
7	20258	Flat Head Phillips Screw, Stainless Steel, No. 8, 2"	16
8	25196	Foam Seal	2
9	25203	Hex Head Cap Screw .375-16, 2.0", Fully Threaded	4
10	25024	.375 Split Lock Washer	4
11	25023	.375-16 Stainless Steel Hex Nut	4
12	25194	Hinge Interior Back Up Plate-Panel	4
13	25195	Hinge Exterior Back Up Plate-Panel	4
14	25025	Back up Plate for Panel	4
15	3916	Seal Clip	4
16	25189	Q-Lon Foam Seal	2
17	25199	Mini Bulb Vinyl	4
18	25176	.375-16 Stainless Steel Hex Nut, .5625 Wt, .218 Ht	4
19	26167	Corner Block	4
20	IG Glass	Glass	1
21	25207,(25398)	Escutcheon-Active Clear (Black)	2
22	(Shipped with Handle)	Socket Set Screw .250-20, .375"	2
23	23203	Spindle	1
24	25342	FHP Machine Screw No 10-32, 2.750 in	2
25	23654	FSB_1076 Lever (Default)	2
26	23204	FSB Cylinder for Active	1

HARDWARE

ITEM NO.	PART NUMBER	DESCRIPTION	QTY. (AS SHOWN)
27	25758	Yale Latch	1
28	20252	Flat Head Phillips Sheet Metal Screw No 8 Size, 1.5"	2
29	25488,(25489)	# 10-32 FH Torx Screw, 1", Clear (Black), Driver Size T25	16
30	25486,(25487)	# 10-32 FH Torx Screw, 0.5", Clear (Black), Driver Size T25	16
31	25234,(25233)	Adjustable Hinge, Vertical Guide Hinge RH (LH)	2
32	25232,(25231)	Adjustable Hinge, Horizontal Guide RH (LH)	2
33	18620	Setting Block 4" x 1/4"x1"	4
34	25196	Foam Seal	1

Description

Active Panel B.O.M.

File Name

Series 3200-T OH Assembly

REV

-

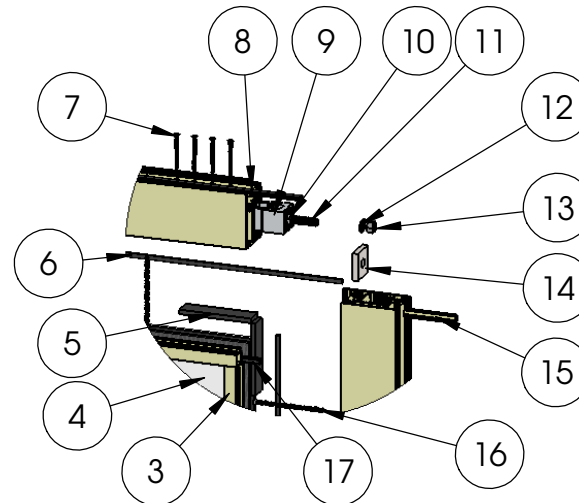
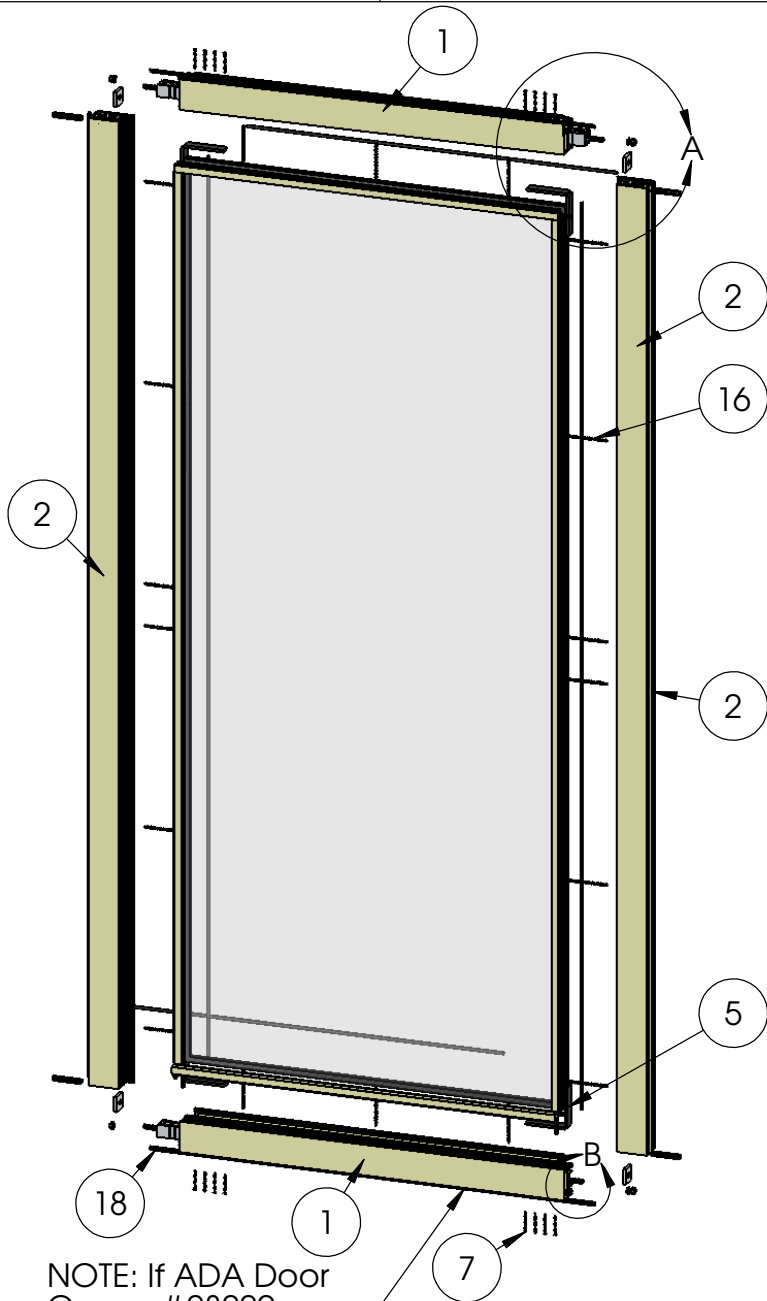
PROPRIETARY AND CONFIDENTIAL

THE INFORMATION CONTAINED IN THIS DRAWING IS THE SOLE PROPERTY OF FLEETWOOD WINDOWS & DOORS.
ANY REPRODUCTION IN PART OR AS A WHOLE WITHOUT THE WRITTEN PERMISSION OF FLEETWOOD WINDOWS & DOORS IS PROHIBITED.

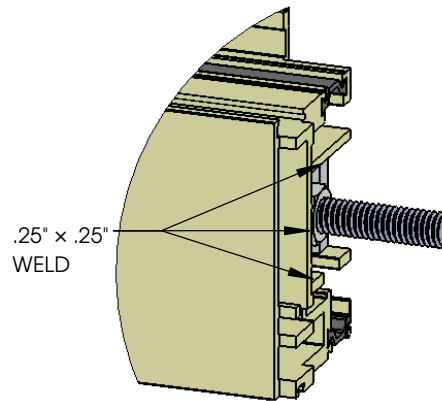
Released 12/1/2016

SHEET 6 OF 8

ASSEMBLY / PARTS LIST (B.O.M.)



DETAIL A
SCALE 1 : 10



DETAIL B
SCALE 1 : 2

NOTE: If ADA Door
Comp. # 23229
bottom seal only

PROPRIETARY AND CONFIDENTIAL
THE INFORMATION CONTAINED IN THIS DRAWING IS THE SOLE PROPERTY OF FLEETWOOD WINDOWS & DOORS.
ANY REPRODUCTION IN PART OR AS A WHOLE WITHOUT THE WRITTEN PERMISSION OF FLEETWOOD WINDOWS & DOORS IS PROHIBITED.

Description Fixed Panel Assembly	
File Name Series 3200-T OH Assembly	REV -
Released	12/1/2016
SHEET 7 OF 8	

ASSEMBLY / PARTS LIST (B.O.M.)

EXTRUSIONS

ITEM NO.	PART NUMBER	DESCRIPTION	QTY. (AS SHOWN)
1	3203	Panel Extrusion	2
2	3203	Panel Extrusion	2
3	3907	1" Glass Stop (Shown)	4

HARDWARE

ITEM NO.	PART NUMBER	DESCRIPTION	QTY. (AS SHOWN)
4	IG Glass	Glass	1
5	18620	Setting Block 4" x 1/4"x1"	8
6	25199	Mini Bulb Vinyl	4
7	20258	# 8 FHP Screw, S.S., 2", Clear	16
8	25196	Foam Seal	1
9	26167	Corner Block	4
10	25176	.375-16 S.S. Hex Nut, .5625 Wt, .218 Ht	4
11	25203	Hex Head Cap Screw .375-16, 2.0", Full Thread	4
12	25024	.375 Split Lock Washer	4
13	25023	.375-16 Stainless Steel Hex Nut	4
14	25025	Back up Plate for Panel	4
15	3916	Seal Clip	4
16	20303	# 10 FHP, 4", S.S., Clear	Varies
17	25031	Bulb Vinyl-Large	4
18	25196	Foam Seal	1

Description
Fixed Panel B.O.M.

File Name
Series 3200-T OH Assembly

REV
-

PROPRIETARY AND CONFIDENTIAL

THE INFORMATION CONTAINED IN THIS DRAWING IS THE SOLE PROPERTY OF FLEETWOOD WINDOWS & DOORS.
ANY REPRODUCTION IN PART OR AS A WHOLE WITHOUT THE WRITTEN PERMISSION OF FLEETWOOD WINDOWS & DOORS IS PROHIBITED.

Released 12/1/2016

SHEET 8 OF 8