

ASSEMBLY / PARTS LIST (B.O.M.)

Series: 3200-T
Type: HH Hinged

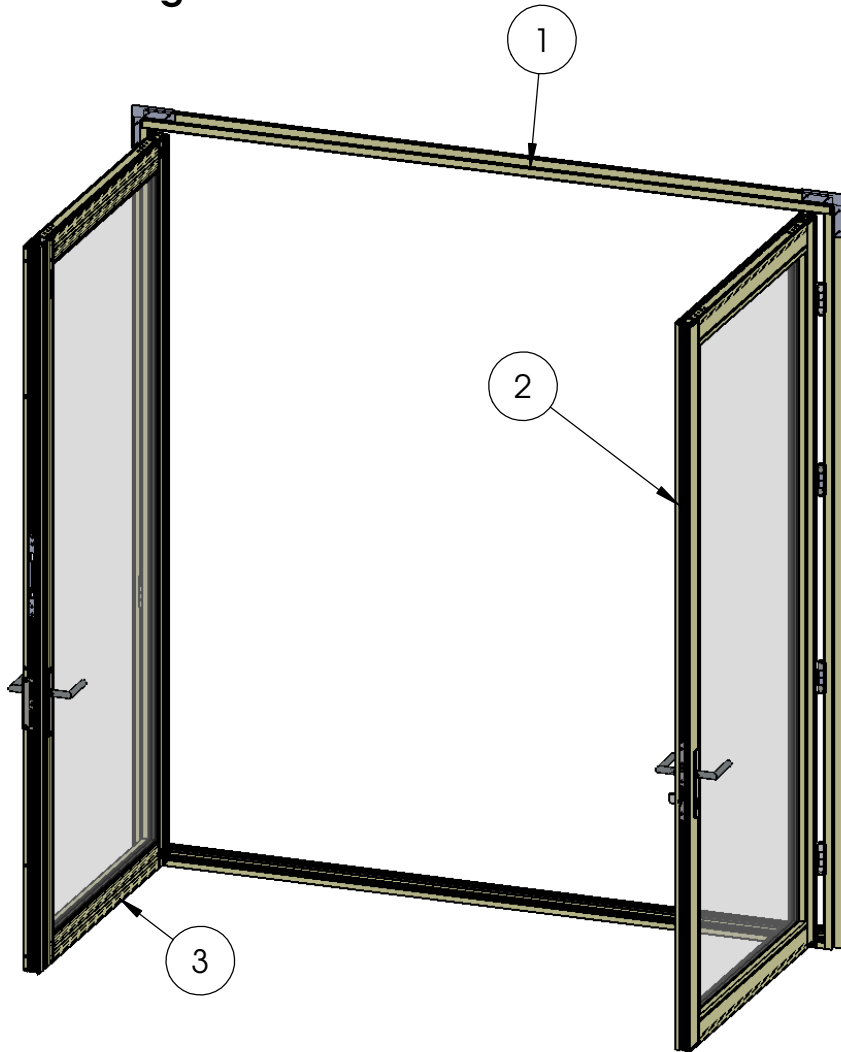


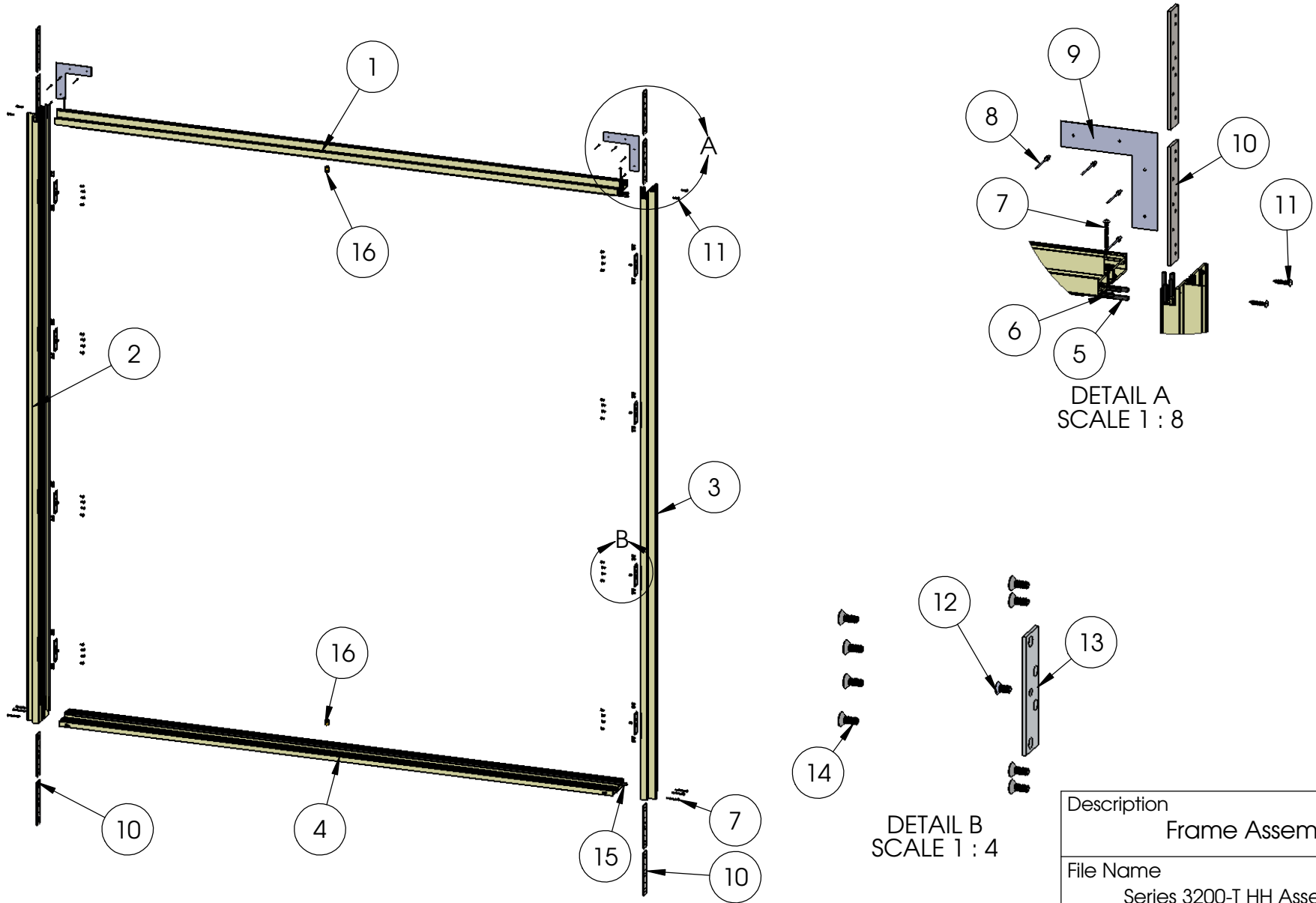
TABLE OF CONTENTS			
ITEM NO.	DESCRIPTION	QTY.	PAGE #
1	Series 3200-T-HH-Frame-Assembly	1	2-3
2	Series 3200-T Active Panel	1	4-5
3	Series 3200-In-Active Panel	1	5-6

Out-Swing
Door Shown

PROPRIETARY AND CONFIDENTIAL
THE INFORMATION CONTAINED IN THIS DRAWING IS THE SOLE PROPERTY OF FLEETWOOD WINDOWS & DOORS.
ANY REPRODUCTION IN PART OR AS A WHOLE WITHOUT THE WRITTEN PERMISSION OF FLEETWOOD WINDOWS & DOORS IS PROHIBITED.

Description Table of Contents	
File Name Series 3200-T HH Assembly	REV -
Released 12/1/2016	SHEET 1 OF 7

ASSEMBLY / PARTS LIST (B.O.M.)



PROPRIETARY AND CONFIDENTIAL
THE INFORMATION CONTAINED IN THIS DRAWING IS THE SOLE PROPERTY OF FLEETWOOD WINDOWS & DOORS.
ANY REPRODUCTION IN PART OR AS A WHOLE WITHOUT THE WRITTEN PERMISSION OF FLEETWOOD WINDOWS & DOORS IS PROHIBITED.

Description	
Frame Assembly	
File Name	REV
Series 3200-T HH Assembly	-
Released	SHEET 2 OF 7
12/1/2016	

ASSEMBLY / PARTS LIST (B.O.M.)

EXTRUSIONS

ITEM NO.	PART NUMBER	DESCRIPTION	QTY. (AS SHOWN)
1	3207,3208,3209	Head (Block,In-Swing,Out-Swing)	1
2	3207,3208,3209	Left Hinge Jamb (Block,In-Swing,Out-Swing)	1
3	3207,3208,3209	Right Hinge Jamb (Block,In-Swing,Out-Swing)	1
4	3904,3202,3510	Standard Sill (Out-Swing,In-Swing,ADA Sill)	1

HARDWARE

ITEM NO.	PART NUMBER	DESCRIPTION	QTY. (AS SHOWN)
5	25199	Mini Bulb Vinyl (at Jambs and Head)	6
6	25189	Q-Lon Foam Seal (at Jambs and Head)	6
7	20355	Screw No. 10, Pan Head Phillips , 2 in	8
8	25504	Pop Rivet (For Nail-Fin Door)	8
9	18629	Nail-Fin Corner (For Nail-Fin Door)	2
10	25192	Hinge Back Up Plate-Frame	8
11	20350	Screw No. 10 Screw, Pan Head Phillips,1 in.	4
12	20266	Screw No.10-32, Flat Undercut Head Phil.,0.375 In	8
13	25202	Hinge Back Up Plate Spacer -Frame	8
14	25486, 25487	# 10-32 FH Torx Screw, 0.5", Clear (Black), Driver Size T25	64
15	25059	Q-Lon Foam Seal (at Sill)	1
16	20542	Shootbolt Cup	2

Description

Frame B.O.M.

File Name

Series 3200-T HH Assembly

REV

-

PROPRIETARY AND CONFIDENTIAL

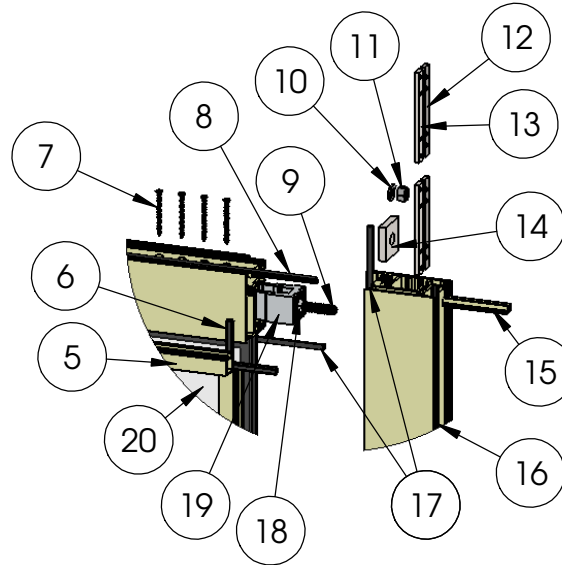
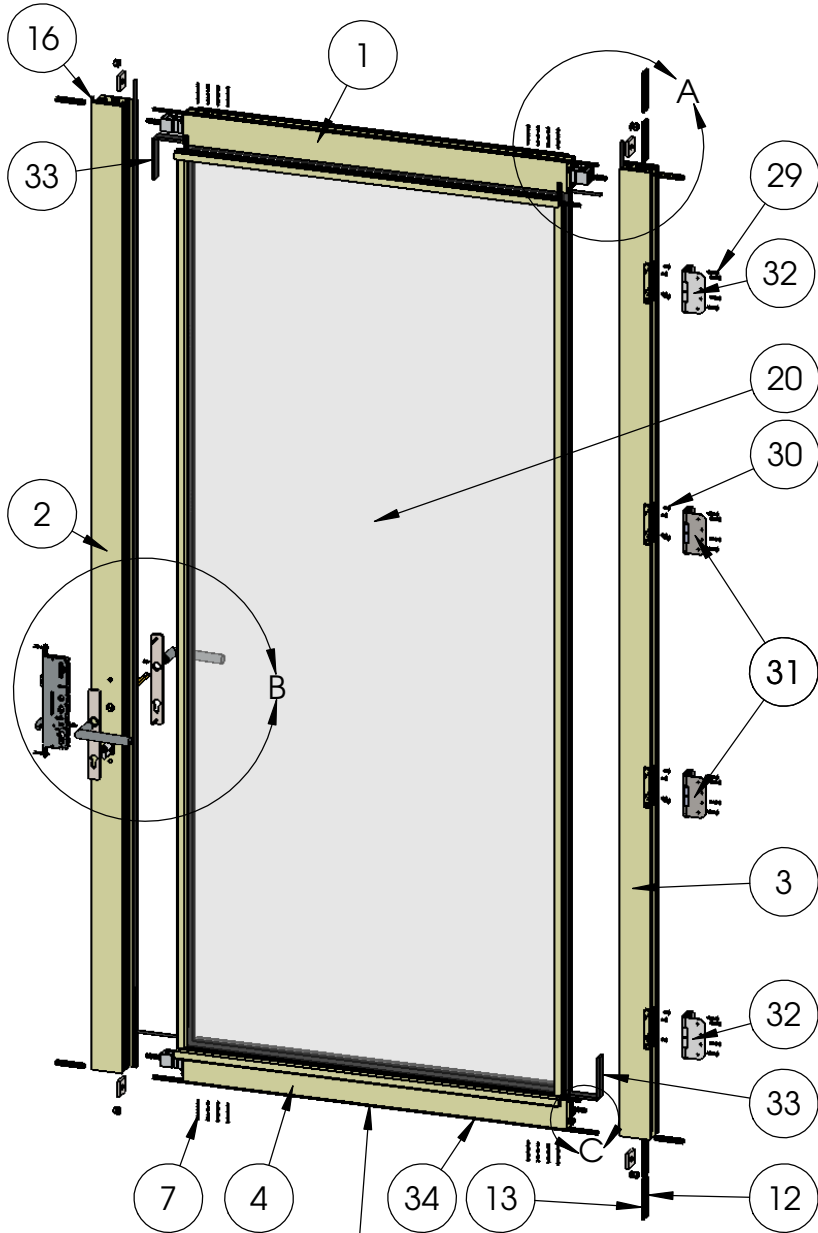
THE INFORMATION CONTAINED IN THIS DRAWING IS THE SOLE PROPERTY OF FLEETWOOD WINDOWS & DOORS.
ANY REPRODUCTION IN PART OR AS A WHOLE WITHOUT THE WRITTEN PERMISSION OF FLEETWOOD WINDOWS & DOORS IS PROHIBITED.

Released

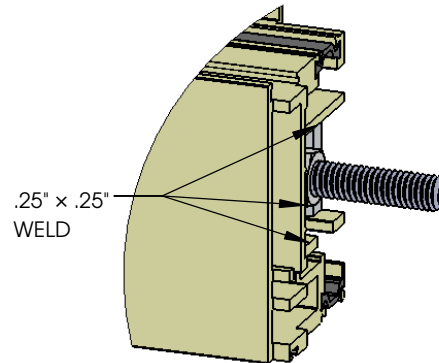
12/1/2016

SHEET 3 OF 7

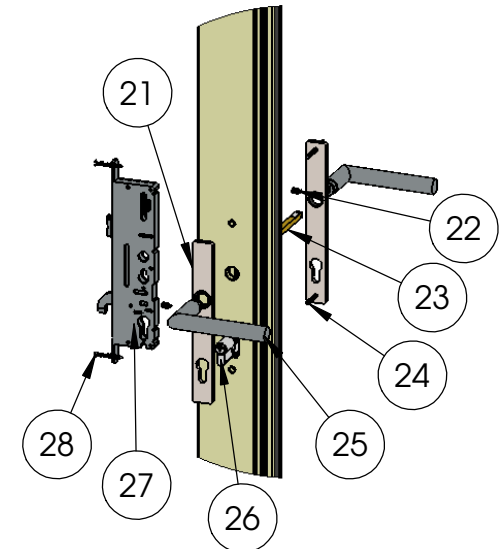
ASSEMBLY / PARTS LIST (B.O.M.)



DETAIL A
SCALE 1 : 8



DETAIL C
SCALE 1 : 2



DETAIL B
SCALE 1 : 10

NOTE: If ADA Door
Comp. # 23229
bottom seal only

PROPRIETARY AND CONFIDENTIAL
THE INFORMATION CONTAINED IN THIS DRAWING IS THE SOLE PROPERTY OF FLEETWOOD WINDOWS & DOORS.
ANY REPRODUCTION IN PART OR AS A WHOLE WITHOUT THE WRITTEN PERMISSION OF FLEETWOOD WINDOWS & DOORS IS PROHIBITED.

Description Active Panel Assembly	
File Name Series 3200-T HH Assembly	REV -
Released	12/1/2016
SHEET 4 OF 7	



ASSEMBLY / PARTS LIST (B.O.M.)

EXTRUSIONS

ITEM NO.	PART NUMBER	DESCRIPTION	QTY. (AS SHOWN)
1	3203	Top Rail	1
2	3205	Sash - Lock Stile	1
3	3203	Sash- Hinge Stile	1
4	3203	Bottom Rail	1
5	3907	1" Glass Stop (Shown)	4

HARDWARE

ITEM NO.	PART NUMBER	DESCRIPTION	QTY. (AS SHOWN)
6	25031	Bulb Vinyl-Large	4
7	20258	Flat Head Phillips Screw, Stainless Steel, No. 8, 2"	16
8	25196	Foam Seal	2
9	25203	Hex Head Cap Screw .375-16, 2.0", Fully Threaded	4
10	25024	.375 Split Lock Washer	4
11	25023	.375-16 Stainless Steel Hex Nut	4
12	25194	Hinge Interior Back Up Plate-Panel	4
13	25195	Hinge Exterior Back Up Plate-Panel	4
14	25025	Back up Plate for Panel	4
15	3916	Seal Clip	4
16	25189	Q-Lon Foam Seal	2
17	25199	Mini Bulb Vinyl	4
18	25176	.375-16 Stainless Steel Hex Nut, .5625 Wt, .218 Ht	4
19	26167	Corner Block	4
20	IG Glass	Glass	1
21	25207,(25398)	Escutcheon-Active Clear (Black)	1
22	(Shipped with Handle)	Socket Set Screw .250-20, .375"	2
23	23203	Spindle	1
24	25342	FHP Machine Screw No 10-32, 2.750 in	2
25	23654	FSB_1076 Lever (Default)	2
26	23204	FSB Cylinder for Active	1

HARDWARE

ITEM NO.	PART NUMBER	DESCRIPTION	QTY. (AS SHOWN)
27	25758	Yale Latch	1
28	20252	Flat Head Phillips Sheet Metal Screw No 8 Size, 1.5"	2
29	25488,(25489)	# 10-32 FH Torx Screw, 1", Clear (Black), Driver Size T25	16
30	25486,(25487)	# 10-32 FH Torx Screw, 0.5, Clear (Black), Driver Size T25	16
31	25234,(25233)	Adjustable Hinge, Vertical Guide RH (LH)	2
32	25232,(25231)	Adjustable Hinge, Horizontal Guide RH (LH)	2
33	18620	Setting Block 4" x 1/4"x1"	4
34	25196	Foam Seal	1

Description
Active Panel B.O.M.

File Name
Series 3200-T HH Assembly

REV
-

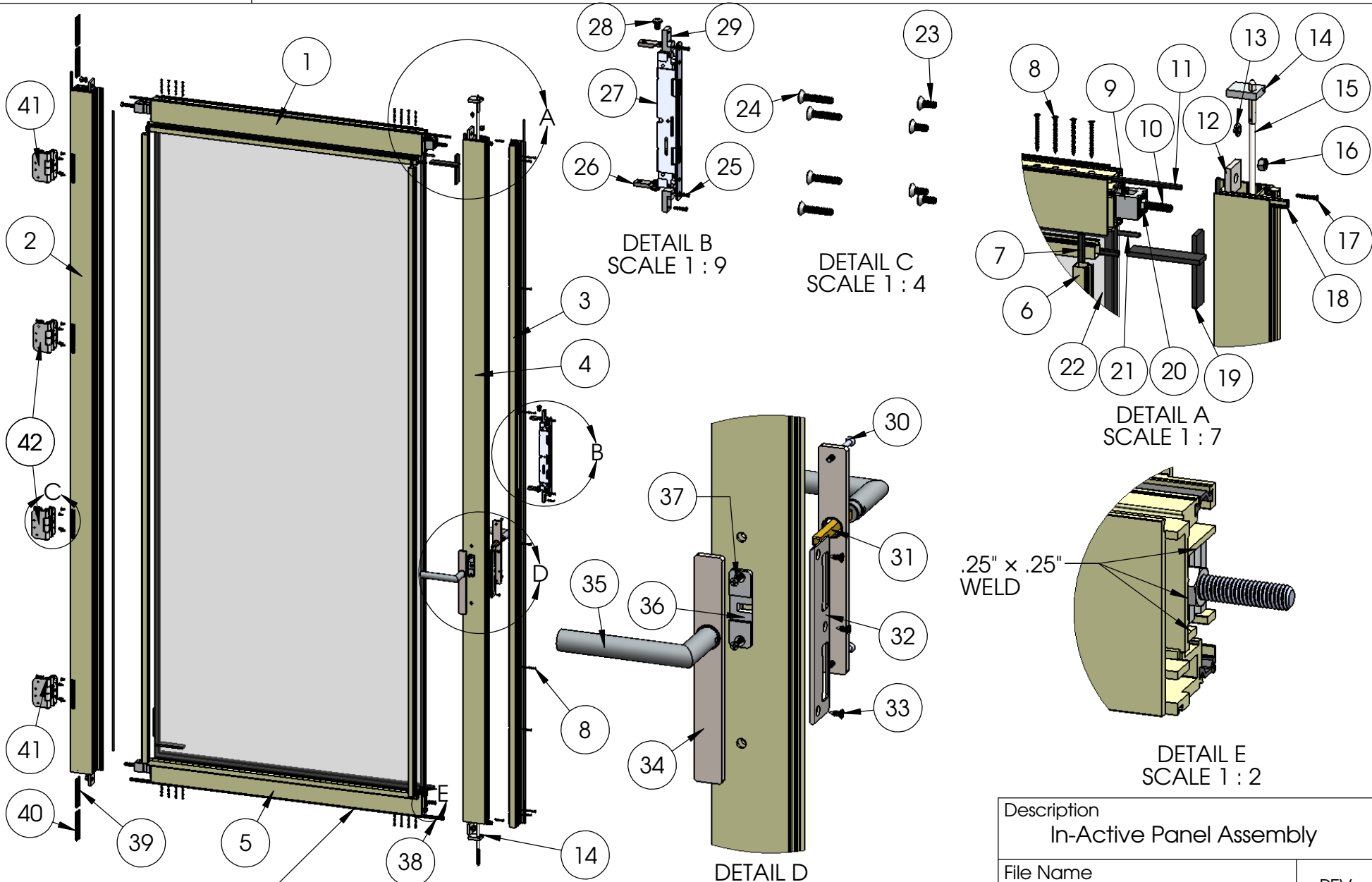
PROPRIETARY AND CONFIDENTIAL

THE INFORMATION CONTAINED IN THIS DRAWING IS THE SOLE PROPERTY OF FLEETWOOD WINDOWS & DOORS.
ANY REPRODUCTION IN PART OR AS A WHOLE WITHOUT THE WRITTEN PERMISSION OF FLEETWOOD WINDOWS & DOORS IS PROHIBITED.

Released 12/1/2016

SHEET 5 OF 7

ASSEMBLY / PARTS LIST (B.O.M.)



NOTE: If ADA Door Comp. # 23229 bottom seal only

PROPRIETARY AND CONFIDENTIAL
THE INFORMATION CONTAINED IN THIS DRAWING IS THE SOLE PROPERTY OF FLEETWOOD WINDOWS & DOORS.
ANY REPRODUCTION IN PART OR AS A WHOLE WITHOUT THE WRITTEN PERMISSION OF FLEETWOOD WINDOWS & DOORS IS PROHIBITED.

Description In-Active Panel Assembly	
File Name Series 3200-T HH Assembly	REV -
Released	12/1/2016
SHEET 6 OF 7	

ASSEMBLY / PARTS LIST (B.O.M.)

EXTRUSIONS

ITEM NO.	PART NUMBER	DESCRIPTION	QTY. (AS SHOWN)
1	3203	Top Rail	1
2	3203	Sash - Hinge Stile	1
3	3206	Astragal	1
4	3205	Sash - Lock Stile	1
5	3203	Bottom Rail	1
6	3907	1" Glass Stop (Shown)	2

HARDWARE

ITEM NO.	PART NUMBER	DESCRIPTION	QTY. (AS SHOWN)
7	25031	Bulb Vinyl-Large	4
8	20258	# 8 FHP, 2 in., SS	25
9	26167	Corner Block	4
10	25203	Hex Head Cap Screw .375-16, 2.0", Fully Threaded	4
11	25189	Q-Lon Foam Seal	1
12	25025	Back up Plate for Panel	4
13	25024	.375 Split Lock Washer	4
14	25205	Shoot Bolt Guide	2
15	See TableA/B	Shootbolt Rod	2
16	25023	.375-16 Stainless Steel Hex Nut	4
17	25343	FHP Machine Screw No 8-32, 1.125 in	2
18	3916	Seal Clip	4
19	18620	Setting Block 4" x 1/4"x1"	4
20	25176	.375-16 Stainless Steel Hex Nut, .5625 Wt, .218 Ht	4
21	25199	Mini Bulb Vinyl	4
22	IG Glass	Glass	1
23	25486,(25487)	# 10-32 FH Torx Screw, 0.5", Clear (Black), Driver Size T25	16
24	25488,(25489)	# 10-32 FH Torx Screw, 1", Clear (Black), Driver Size T25	16
25	25174	Screw No 8-32, Flat Head Phillips Machine 0.875 in	3
26	25204	Shoot Bolt Adapter	2
27	25223	Lever Activated Gear, Backset 30mm	1
28	25344	M8 PHP Screw, 12mm, 1.25mm Pitch	2
29	25206	In-Activate Gear Back Up Block	2
30	25342	FHP Machine Screw No 10-32, 2.750 in	2
31	23203	Spindle	1

HARDWARE

ITEM NO.	PART NUMBER	DESCRIPTION	QTY. (AS SHOWN)
32	24993	Latch-Deadbolt Strike Plate	1
33	20272	Screw No 10, FHP Undercut .50 In.	3
34	25208,(25399)	Escutcheon-In-Active, Clear (Black)	1
35	23654	FSB_1076 Lever (Default)	2
36	25218	Dummy Handle Adaptor	1
37	20254	# 8 FHP Sheet Metal Screw, 1.5"	2
38	25196	Foam Seal	1
39	25194	Hinge Interior Back Up Plate-Panel	4
40	25195	Hinge Exterior Back Up Plate-Panel	4
41	25231,(25235)	Adjustable Horizontal Guide Hinge LH, Clear (Black)	2
42	25233,(25237)	Adjustable Vertical Hinge LH, Clear (Black)	2

TABLE A: Upper Shootbolt Rod

PANEL HEIGHT	COMPONENT NUMBER
74" -84"	25225
84" -92"	25226
92" -100"	25227
100"-108"	25224

TABLE B: Lower Shootbolt Rod

PANEL HEIGHT	COMPONENT NUMBER
ALL	25224

Description

Panel B.O.M.

File Name

Series 3200-T HH Assembly

REV

-

Released

12/1/2016

SHEET 7 OF 7

PROPRIETARY AND CONFIDENTIAL

THE INFORMATION CONTAINED IN THIS DRAWING IS THE SOLE PROPERTY OF FLEETWOOD WINDOWS & DOORS.
ANY REPRODUCTION IN PART OR AS A WHOLE WITHOUT THE WRITTEN PERMISSION OF FLEETWOOD WINDOWS & DOORS IS PROHIBITED.