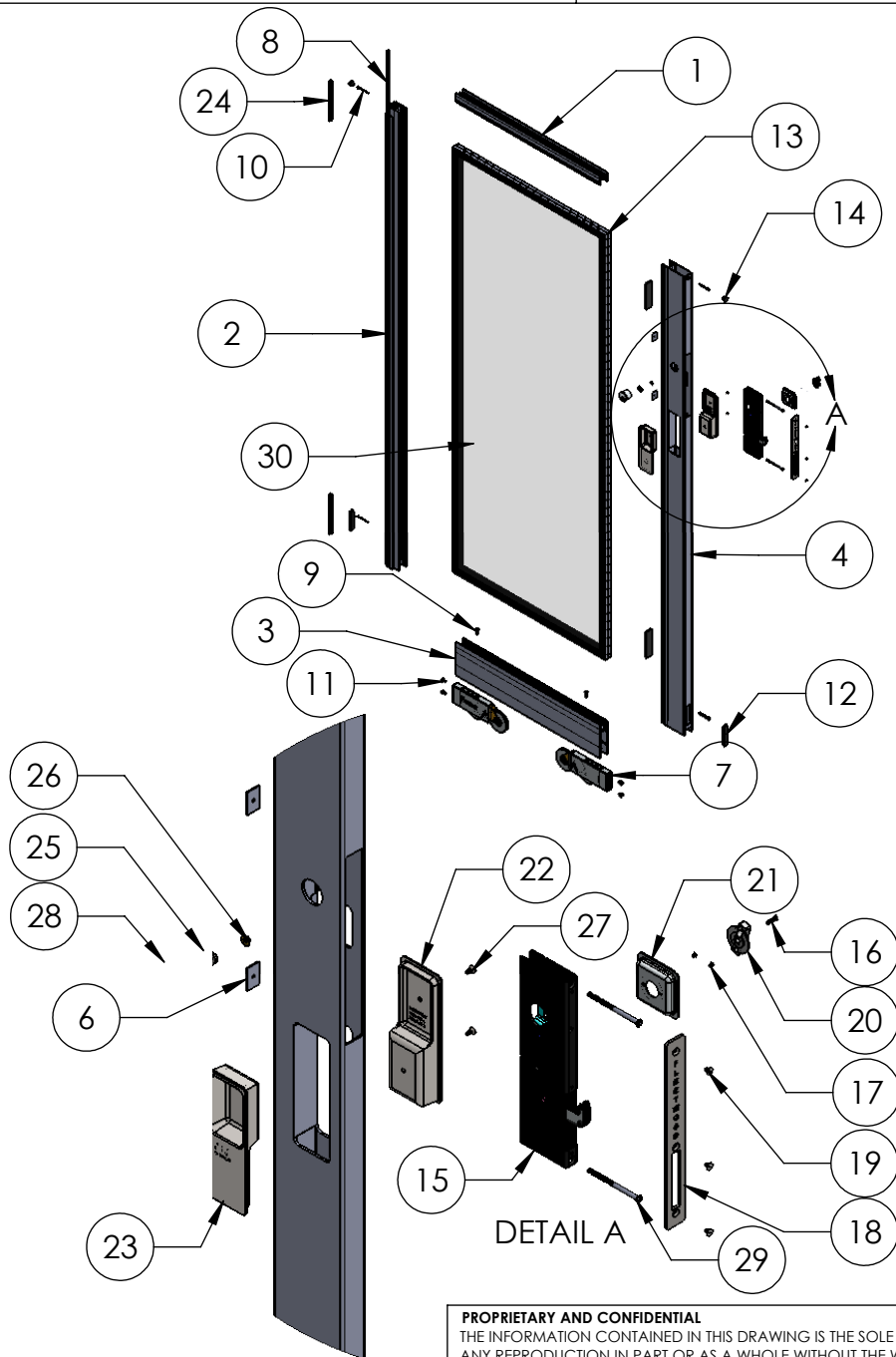


ASSEMBLY / PARTS LIST (B.O.M.)



ITEM NO.	PART NUMBER	DESCRIPTION	QTY.
1	3004	Top Rail DG	1
2	3006	Interlock DG	1
3	3027	MAMMOTH Sliding Bottom Rail 3 inch Roller	1
4	3767	Lock Stile (Archetype)	1
5	18620	Setting Block 4" x 1/4"x1"	2
6	18671	Back Up Plate # 10-32 x 0.075 Thk.	2
7	18883	A3 Roller, Precision - Tandem	2
8	19117	Large Fin Seal (29027045bkqb)(7578)	1
9	20305	#1/4-20 FHP - B, 3/4", SS Clear	2
10	20355	#10 PHP -A, 2", SS, Clear	4
11	20357	#1/4-20 PHP - B, 1/2", SS, Clear	4
12	20478	OVAL BUMPER - 3070/3050 3.125"	2
13	20480, 19050, 19074	Glazing Vinyl (1", 15/16", 1 1/16")	1
14	20635	Small Round Panel Plug (All Doors)	2
15	24070,24077	Archetype Primary Latch OX, XO	1
16	24072, 24094	#6-32, Hex Socket Head Cap, Self Locking, 1/2", SS (Clear, Black)	1
17	24074	#4-40 FHP, UC, 1/8", SS, Clear	2
18	24075	Archetype Primary Latch(Face) Plate, Cover	1
19	24076	#8-32 FH Socket Cap Screw, 3/8",SS	3
20	24079, 24766	Archetype Actuator (Black, SS)	1
21	24080, 24765, 24081, 24767	Archetype Actuator Pocket, (OX (Black, SS), XO (Black, SS))	1
22	24089, 24091	Archetype Handle, Inside, w/Gasket (SS, Blk)	1
23	24090, 24092	Archetype Handle, Outside, w/Gasket (SS, Blk)	1
24	24653	Air Barrier Standard Interlock	2
25	24780	Cam - (for the Archetype Key Cylinder)	1
26	24781	Brass Bushing - Key Cylinder Reg. Arch.	1
27	25324, 25325	#8-32 FHS-B, 3/8", SS, (Silver, Black)	2
28	25356, 24782	Archetype Keyed Cylinder (SS) (KA,KD) (with Cam/Bushing/Screw)	1
29	25729	#10-32 FHP, 3, SS, Clear	2
30	-	Glass	1

TITLE: Series 3070 X Panel	
DWG. NO. Series_3070_Assembly_X Panel	REV
DATE: 5/18/16	SHEET 1 OF 1

PROPRIETARY AND CONFIDENTIAL
THE INFORMATION CONTAINED IN THIS DRAWING IS THE SOLE PROPERTY OF FLEETWOOD WINDOWS & DOORS.
ANY REPRODUCTION IN PART OR AS A WHOLE WITHOUT THE WRITTEN PERMISSION OF FLEETWOOD WINDOWS & DOORS IS PROHIBITED.