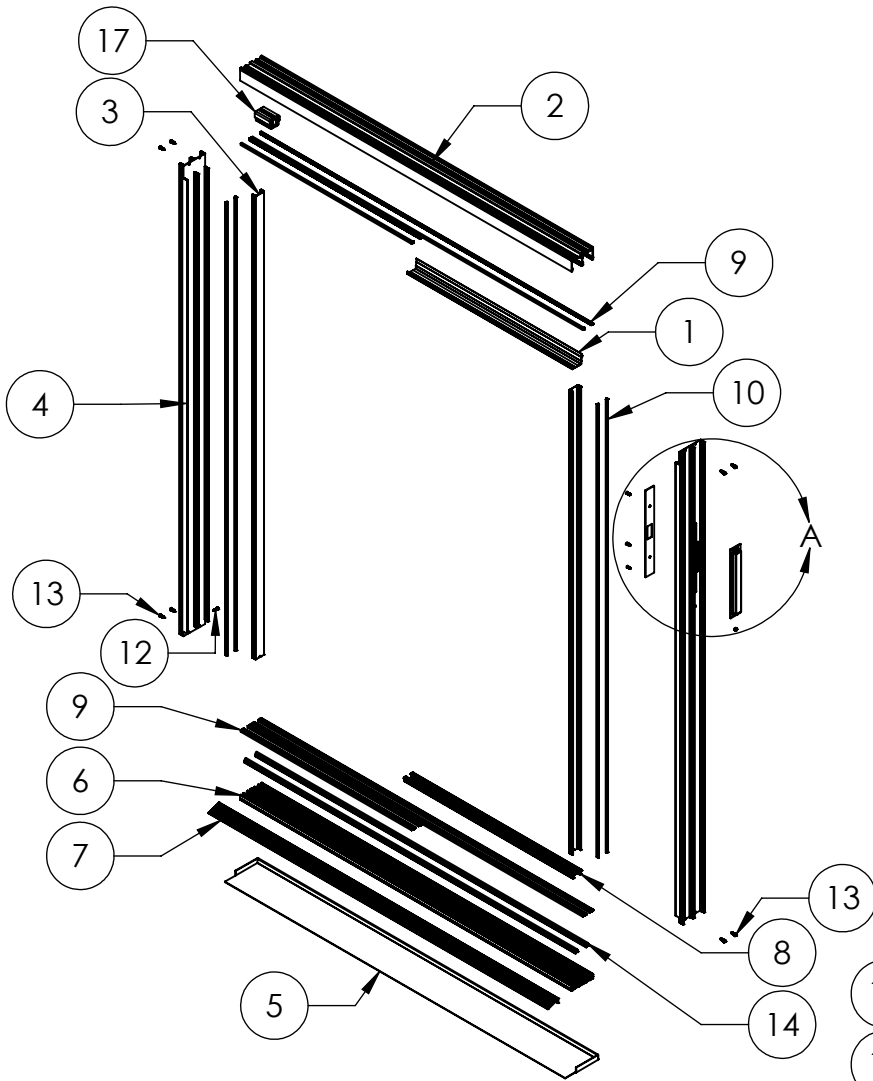
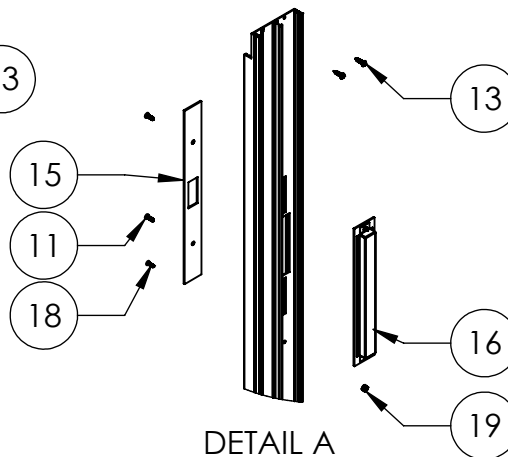


ASSEMBLY / PARTS LIST (B.O.M.)



ITEM NO.	PART NUMBER	DESCRIPTION	QTY.
1	3014	Head Filler / Closer	1
2	3702	Multislide Head (2 track)	1
3	3710	Jamb Filler	2
4	3712	Multislide Jamb (2 track)	2
5	3720	Sill Pan	1
6	3742	Multislide Sill (2 track)	1
7	3752	Multislide Sill Riser (exterior)	1
8	3747	Sill Filler	2
9	19118	Weather Strip 23027045BKQB	12
10	19120	Q-Lon (U5212)	4
11	20278	#10-32 FHP-B-UC, 9/16", SS clear	2
12	20312	#8 PHP - TEK, 3/4", SS, Clear	1
13	20345	#10 PHP - A, 3/4", Zinc, Clear	8
14	23006	Stainless Steel Track - 9/16"	2
15	24067	Strike Plate	1
16	24069	Dust Cover	1
17	24101	Bumper, Sliding Door Head Installation 2.625"	1
18	25497	#8-32 FHP,UC, 1/2",SS	1
19	25498	#8-32 Nut with Nylon-Insert Hex Locknut,SS	1



PROPRIETARY AND CONFIDENTIAL
THE INFORMATION CONTAINED IN THIS DRAWING IS THE SOLE PROPERTY OF FLEETWOOD WINDOWS & DOORS.
ANY REPRODUCTION IN PART OR AS A WHOLE WITHOUT THE WRITTEN PERMISSION OF FLEETWOOD WINDOWS & DOORS IS PROHIBITED.

TITLE: Series 3070 Assembly OX no screen	
DWG. NO. Series_3070_Assembly_Frame _OX_no screen	REV
DATE: 5/18/16	SHEET 1 OF 1