

# ASSEMBLY / PARTS LIST (B.O.M.)

**SERIES: 3070**  
**CONFIGURATION: OX WITH SCREEN**

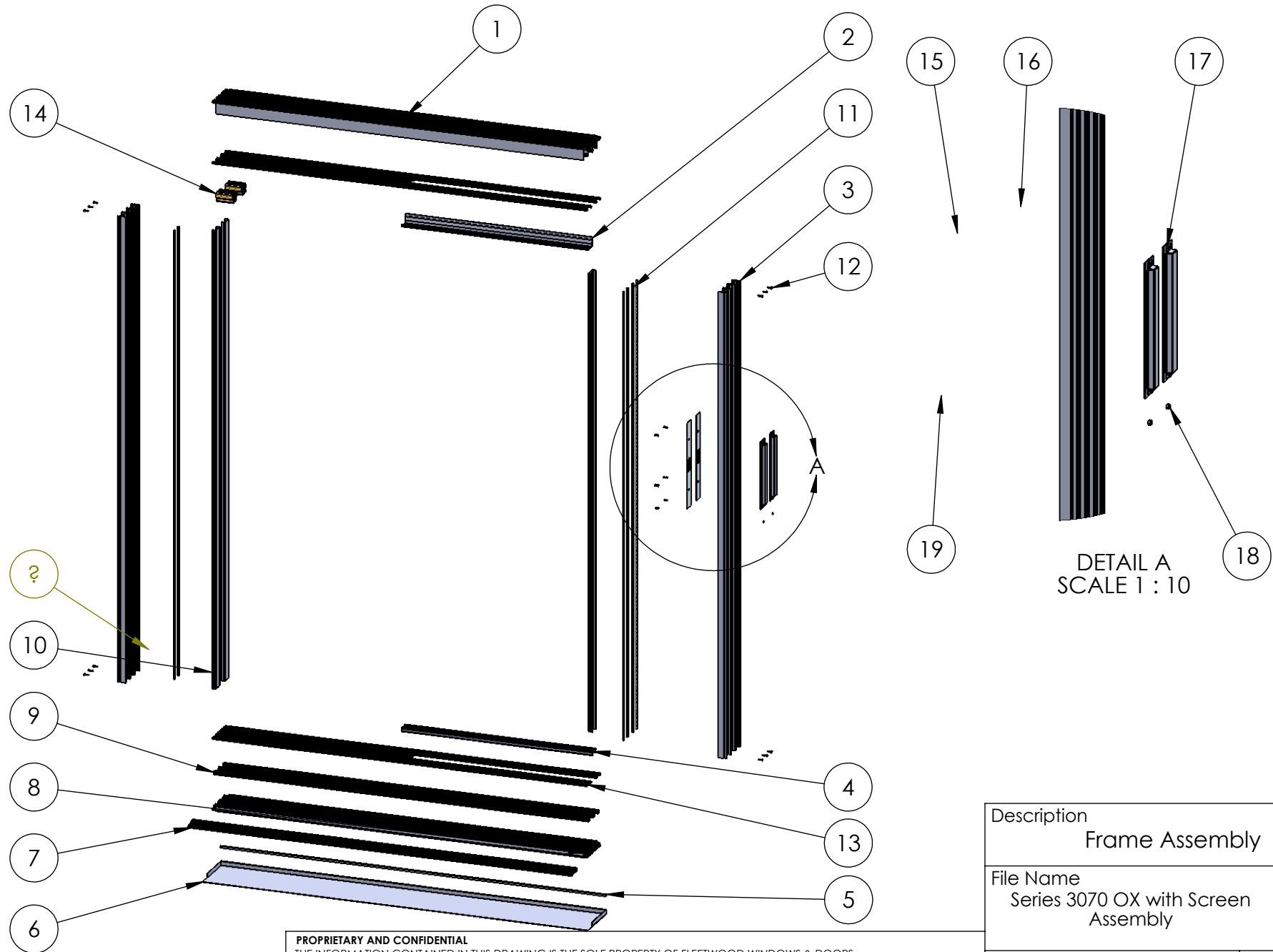


## TABLE OF CONTENTS

ITEM NO.	DESCRIPTION	PAGE #
1	Frame Assembly	2-3
2	O Panel Assembly	4
3	Screen Panel Assembly	5-6
4	X Panel Assembly	7-8

Description Table of Contents	
File Name Series 3070 OX with Screen Assembly	REV
Released 9/12/2018	SHEET 1 OF 8

# ASSEMBLY / PARTS LIST (B.O.M.)



DETAIL A  
 SCALE 1 : 10

**PROPRIETARY AND CONFIDENTIAL**  
 THE INFORMATION CONTAINED IN THIS DRAWING IS THE SOLE PROPERTY OF FLEETWOOD WINDOWS & DOORS.  
 ANY REPRODUCTION IN PART OR AS A WHOLE WITHOUT THE WRITTEN PERMISSION OF FLEETWOOD WINDOWS & DOORS IS PROHIBITED.

Description Frame Assembly	
File Name Series 3070 OX with Screen Assembly	REV
Released 9/12/2018	SHEET 2 OF 8

# ASSEMBLY / PARTS LIST (B.O.M.)

EXTRUSIONS			
ITEM NO.	PART NUMBER	DESCRIPTION	QTY.
1	3703	Multi-Slide Head (3 Track)	1
2	3014	Head Filler / Closer	1
3	3713	Multi-Slide Jamb (3 Track)	2
4	3747	Sill Filler	2
5	FW1076	Sillpan Hem Cover	1
6	3720-3	N3- Sill Pan-3Tr	1
7	3752	Sill Riser (optional)	1
8	3743	Multi-Slide Sill (3 Track)	1
9	FW1020	Standard Stainless Steel Track Insert 0.5625	3
10	3710	Jamb Filler	3

HARDWARE			
ITEM NO.	PART NUMBER	DESCRIPTION	QTY.
11	19120	Q-Lon (U5212)	6
12	20347	#10 PHP Screw, .75 in.	12
13	19118	Small Fin Seal Mohair (23027045BKQB)	18
14	24101	Bumper, Sliding Door Head Installation 2.625"	2
15	20278	#10-32 FHP-B-UC, 9/16", SS clear	4
16	24067	Strike Plate	2
17	24068	Backup Plate (With Dust Cover)	2
18	25498	#8-32 Locknut with Nylon-Insert	2
19	25497	#8-32 FHP,UC, 1/2",SS	2

Description  
Frame Assembly B.O.M.

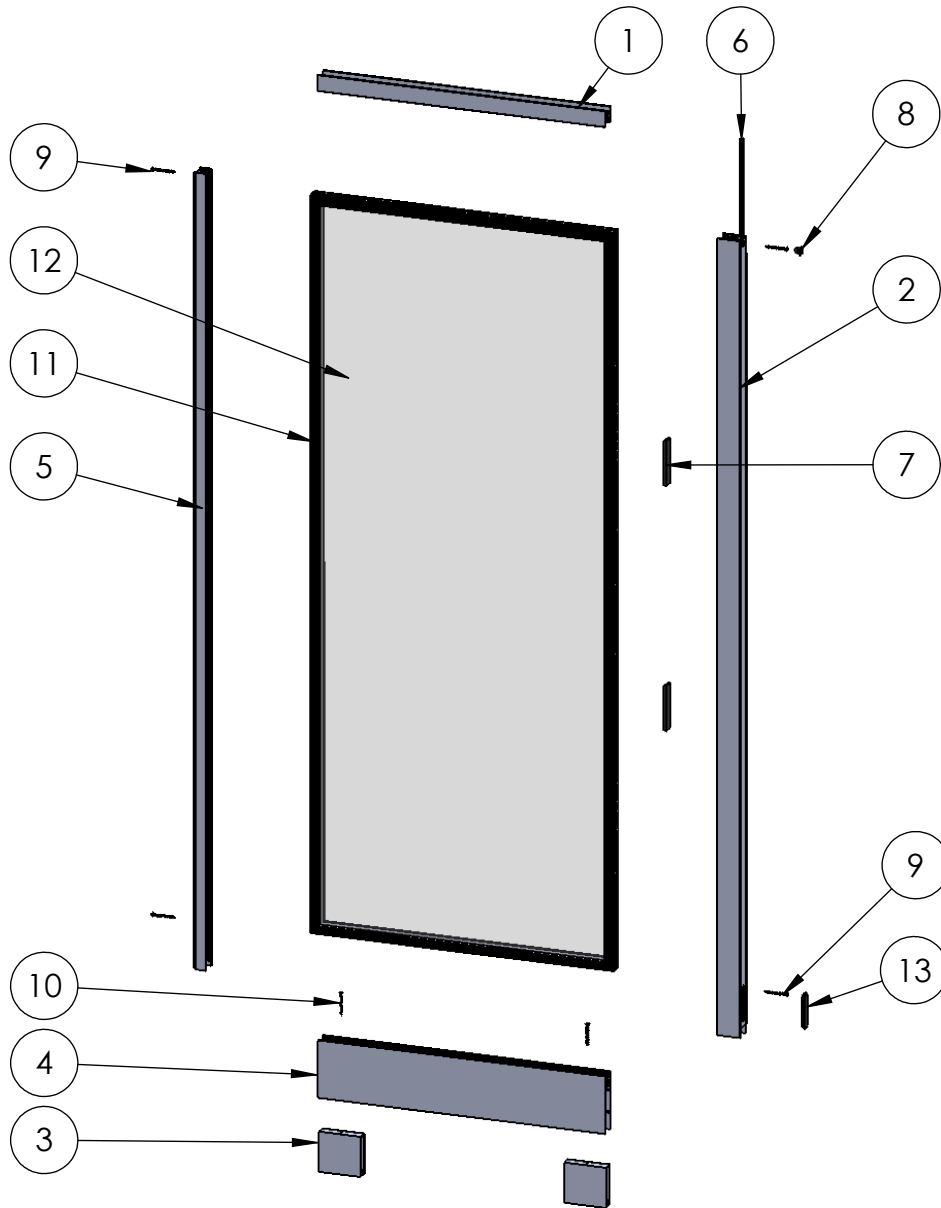
File Name Series 3070 OX with Screen Assembly	REV
--	-----

**PROPRIETARY AND CONFIDENTIAL**

THE INFORMATION CONTAINED IN THIS DRAWING IS THE SOLE PROPERTY OF FLEETWOOD WINDOWS & DOORS.  
ANY REPRODUCTION IN PART OR AS A WHOLE WITHOUT THE WRITTEN PERMISSION OF FLEETWOOD WINDOWS & DOORS IS PROHIBITED.

Released	9/12/2018	SHEET 3 OF 8
----------	-----------	--------------

# ASSEMBLY / PARTS LIST (B.O.M.)



## EXTRUSIONS

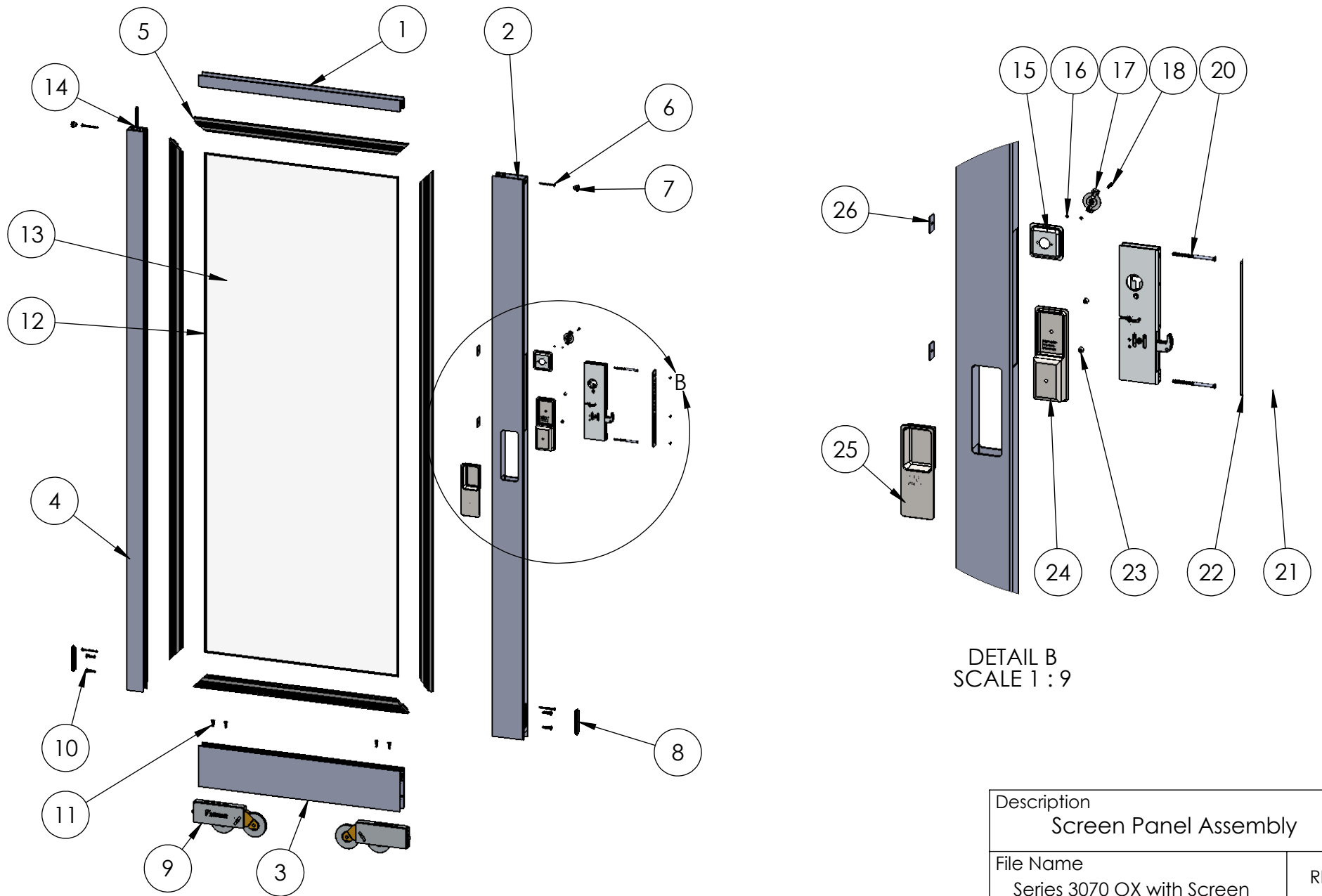
ITEM NO.	PART NUMBER	DESCRIPTION	QTY.
1	3004	Top Rail DG	1
2	3006	Interlock DG	1
3	25381	A3 Roller Setting Block	2
4	3027	Bottom Rail	1
5	3008	Fixed Stile DG	1

## HARDWARE

ITEM NO.	PART NUMBER	DESCRIPTION	QTY.
6	19117, Large Fin Seal	Large Fin Seal (29027045bkqb)	1
7	18620	Setting Block, .25 in.	2
8	20635	Small Round Panel Plug (All Doors)	1
9	20355	#10 PHP -A, 2", SS, Clear	4
10	20298	#10 FHP-A, 2", SS, Clear	2
11	22909	1 inch Glazing Vinyl	1
12	-	Glass	1
13	20478	Oval Plug - Long	1

Description O-Panel Assembly	
File Name Series 3070 OX with Screen Assembly	REV
Released 9/12/2018	SHEET 4 OF 8

# ASSEMBLY / PARTS LIST (B.O.M.)



DETAIL B  
SCALE 1 : 9

Description Screen Panel Assembly	
File Name Series 3070 OX with Screen Assembly	REV
Released	9/12/2018
SHEET 5 OF 8	

**PROPRIETARY AND CONFIDENTIAL**  
THE INFORMATION CONTAINED IN THIS DRAWING IS THE SOLE PROPERTY OF FLEETWOOD WINDOWS & DOORS.  
ANY REPRODUCTION IN PART OR AS A WHOLE WITHOUT THE WRITTEN PERMISSION OF FLEETWOOD WINDOWS & DOORS IS PROHIBITED.

# ASSEMBLY / PARTS LIST (B.O.M.)

EXTRUSIONS			
ITEM NO.	PART NUMBER	DESCRIPTION	QTY.
1	3004	Top Rail DG	1
2	3767	Archetype Lock Stile	1
3	3027	Bottom Rail	1
4	3006	Interlocker	1
5	3766	Screen Adapter	4
HARDWARE			
ITEM NO.	PART NUMBER	DESCRIPTION	QTY.
6	20355	#10 PHP -A, 2", SS, Clear	4
7	20635	Small Round Door Bumper	2
8	20478	Oval Plug - Long	2
9	18883	A3 Roller	2
10	91772A542	#1/4-20 PHP - B, 1", SS, Clear	4
11	20305	#1/4-20 FHP-B Screw, .75 in.SLDPRT	4
12	19130	Screen Rubber Spline .160	1
13	-	Screen Mesh	1
14	19117, Large Fin Seal	Large Fin Seal (29027045bkqb)	1
15	24765, 24767, 24080, 24081	Archetype Actuator Pocket, OX / XO (Clear, Black)	1
16	24074	#4-40 FHP Screw, .125 in.	2
17	24079, 24766	Archetype Actuator (Black, Clear)	1
18	24072, 24094	#6-32 Hex Socket Bolt, .50 in.	1
19	24070, 24077	Archetype Latch (OX,XO)	1

HARDWARE			
ITEM NO.	PART NUMBER	DESCRIPTION	QTY.
20	25729	#10-32 FHP Screw, 3 in.	2
21	24076	#8-32 FHS-B Screw, .25 in.	3
22	24075	Archetype Latch Faceplate	1
23	26049, 25325	#8-32 FHS-B Screw, .375 in. (Clear, Black)	2
24	24089, 24091	Archetype Handle, Inside, w/Gasket (SS, Blk)	1
25	24090, 24092	Archetype Handle, Outside, w/Gasket (SS, Blk)	1
26	18671	Back Up Plate # 10-32 x 0.075 Thk.	2

**PROPRIETARY AND CONFIDENTIAL**

THE INFORMATION CONTAINED IN THIS DRAWING IS THE SOLE PROPERTY OF FLEETWOOD WINDOWS & DOORS. ANY REPRODUCTION IN PART OR AS A WHOLE WITHOUT THE WRITTEN PERMISSION OF FLEETWOOD WINDOWS & DOORS IS PROHIBITED.

Description Screen Assembly B.O.M.	
File Name Series 3070 OX with Screen Assembly	REV
Released 9/12/2018	SHEET 6 OF 8





# ASSEMBLY / PARTS LIST (B.O.M.)

EXTRUSIONS				HARDWARE			
ITEM NO.	PART NUMBER	DESCRIPTION	QTY.	ITEM NO.	PART NUMBER	DESCRIPTION	QTY.
1	3004	Top Rail DG	1	20	24074	#4-40 FHP Screw, .125 in.	2
2	3767	Lock Stile (Archetype)	1	21	24079, 24766	Archetype Actuator (Black, Clear)	1
3	3027	Bottom Rail	1	22	24072, 24094	#6-32 Hex Socket Head Cap, .50 in.	1
4	3006	Interlocker	1	23	25729	#10-32 FHP Screw, 3 in.	2
HARDWARE				24	24935	#8-32 x 1" Set Screw	1
ITEM NO.	PART NUMBER	DESCRIPTION	QTY.	25	24075	Archetype Latch Faceplate	1
5	20355	#10 PHP -A, 2", SS, Clear	4	26	24076	#8-32 FHS-B Screw, .25 in.	3
6	20635	Small Round Door Bumper	2	27	26049, 25325	#8-32 FHS-B Screw, .375 in. (Clear, Black)	2
7	18620	Setting Block, .25 in.	2	28	24089, 24091	Archetype Handle, Inside, w/Gasket (SS, Blk)	1
8	20478	Oval Plug - Long	2	29	24090, 24092	Archetype Handle, Outside, w/Gasket (SS, Blk)	1
9	20305	#1/4-20 FHP-B Screw, .75 in.SLDPRT	4	30	24070, 24077	Archetype Latch (OX,XO)	1
10	91772A542	#1/4-20 PHP - B, 1", SS, Clear	4				
11	18883	A3 Roller	2				
12	20480, 19050, 19074	Glazing Vinyl (1", 15/16", 1 1/16")	1				
13	-	Glass	1				
14	19117, Large Fin Seal	Large Fin Seal (29027045bkqb)	1				
15	25356, 24782	Archetype Keyed Cylinder (SS) (KA,KD) (with Cam/Bushing/Screw)	1				
16	24780	Key Cylinder Cam	1				
17	24781	Archetype Brass Bushing	1				
18	18671	Back Up Plate # 10-32 x 0.075 Thk.	2				
19	24765, 24767, 24080, 24081	Archetype Actuator Pocket, OX / XO (Clear, Black)	1				

**PROPRIETARY AND CONFIDENTIAL**  
 THE INFORMATION CONTAINED IN THIS DRAWING IS THE SOLE PROPERTY OF FLEETWOOD WINDOWS & DOORS.  
 ANY REPRODUCTION IN PART OR AS A WHOLE WITHOUT THE WRITTEN PERMISSION OF FLEETWOOD WINDOWS & DOORS IS PROHIBITED.

Description X-Panel Assembly B.O.M.	
File Name Series 3070 OX with Screen Assembly	REV
Released	9/12/2018
SHEET 8 OF 8	