

ASSEMBLY / PARTS LIST (B.O.M.)

SERIES: 3070
CONFIGURATION: OX NO SCREEN



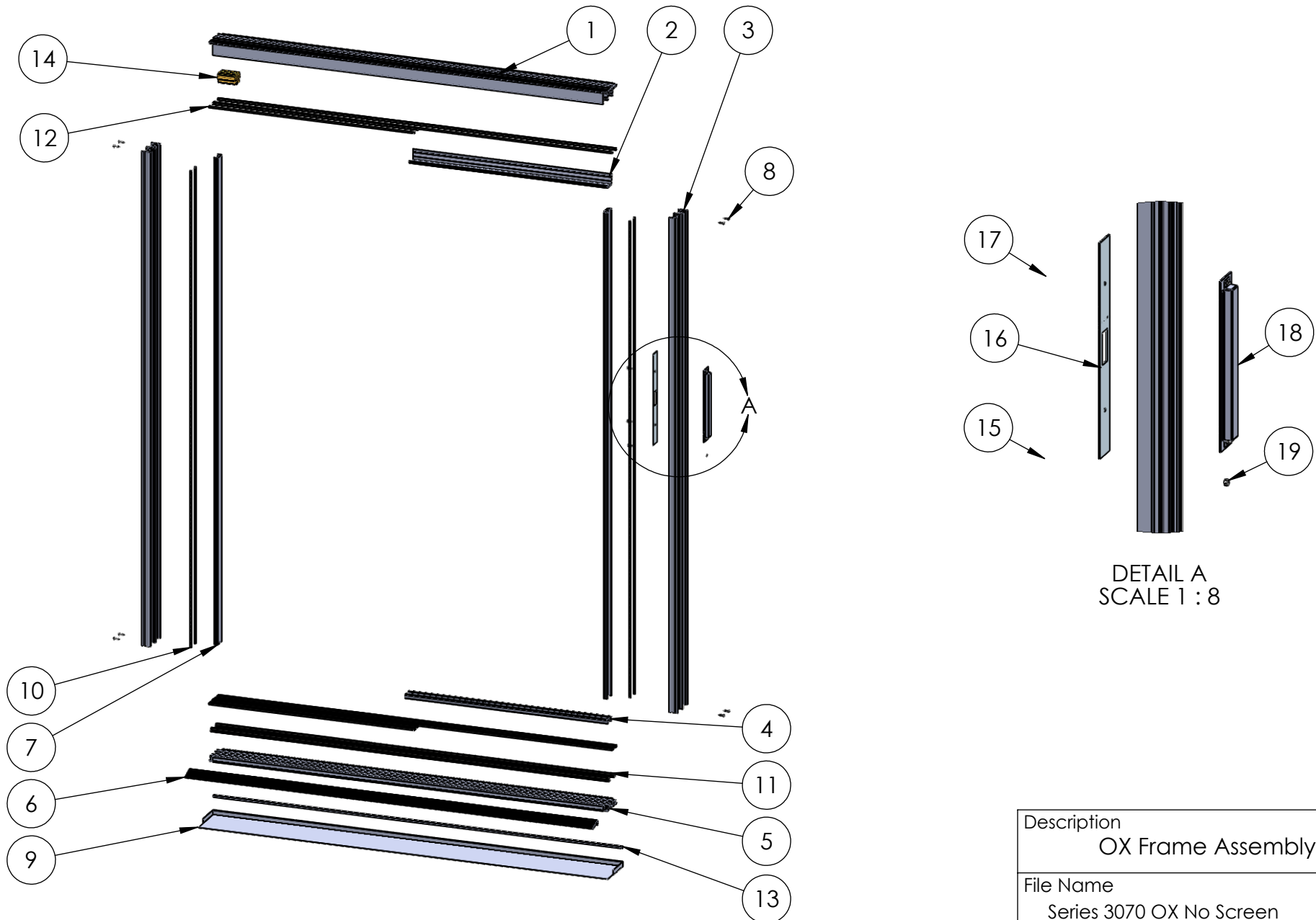
TABLE OF CONTENTS

ITEM NO.	DESCRIPTION	PAGE #
1	OX Frame Assembly	2-3
2	O Panel Assembly	4
3	X Panel Assembly	5-6

Description Table of Contents	
File Name Series 3070 OX No Screen Assembly	REV
Released 9/11/2018	SHEET 1 OF 6

PROPRIETARY AND CONFIDENTIAL
 THE INFORMATION CONTAINED IN THIS DRAWING IS THE SOLE PROPERTY OF FLEETWOOD WINDOWS & DOORS.
 ANY REPRODUCTION IN PART OR AS A WHOLE WITHOUT THE WRITTEN PERMISSION OF FLEETWOOD WINDOWS & DOORS IS PROHIBITED.

ASSEMBLY / PARTS LIST (B.O.M.)



PROPRIETARY AND CONFIDENTIAL
 THE INFORMATION CONTAINED IN THIS DRAWING IS THE SOLE PROPERTY OF FLEETWOOD WINDOWS & DOORS.
 ANY REPRODUCTION IN PART OR AS A WHOLE WITHOUT THE WRITTEN PERMISSION OF FLEETWOOD WINDOWS & DOORS IS PROHIBITED.

Description OX Frame Assembly	
File Name Series 3070 OX No Screen Assembly	REV
Released 9/11/2018	SHEET 2 OF 6

ASSEMBLY / PARTS LIST (B.O.M.)

EXTRUSIONS

ITEM NO.	PART NUMBER	DESCRIPTION	QTY.
1	3702	Head (2 Track)	1
2	3014	Head Filler / Closer	1
3	3712	Jamb (2 Track)	2
4	3747	Sill Filler	2
5	3742	Sill (2 track)	1
6	3752	Sill Riser (optional)	1
7	3710	Jamb Filler	2

HARDWARE

ITEM NO.	PART NUMBER	DESCRIPTION	QTY.
8	20347	#10 PHP Screw, .75 in.	8
9	-	Sill Pan	1
10	19120	Q-Lon (U5212)	4
11	FW1020	Stainless Steel Track	2
12	19118	Small Fin Seal Mohair (23027045BKQB)	12
13	FW1076	Sillpan Hem Cover	1
14	24101	Head Bumper	1
15	25497	#8-32 FHP,UC, 1/2",SS	1
16	24067	Strike Plate	1
17	20278	#10-32 FHP-B-UC, 9/16", SS clear	2
18	24068	Backup Plate (With Dust Cover)	1
19	25498	#8-32 Locknut with Nylon-Insert	1

HARDWARE

Description
OX Frame Assembly B.O.M.

File Name
Series 3070 OX No Screen
Assembly

REV

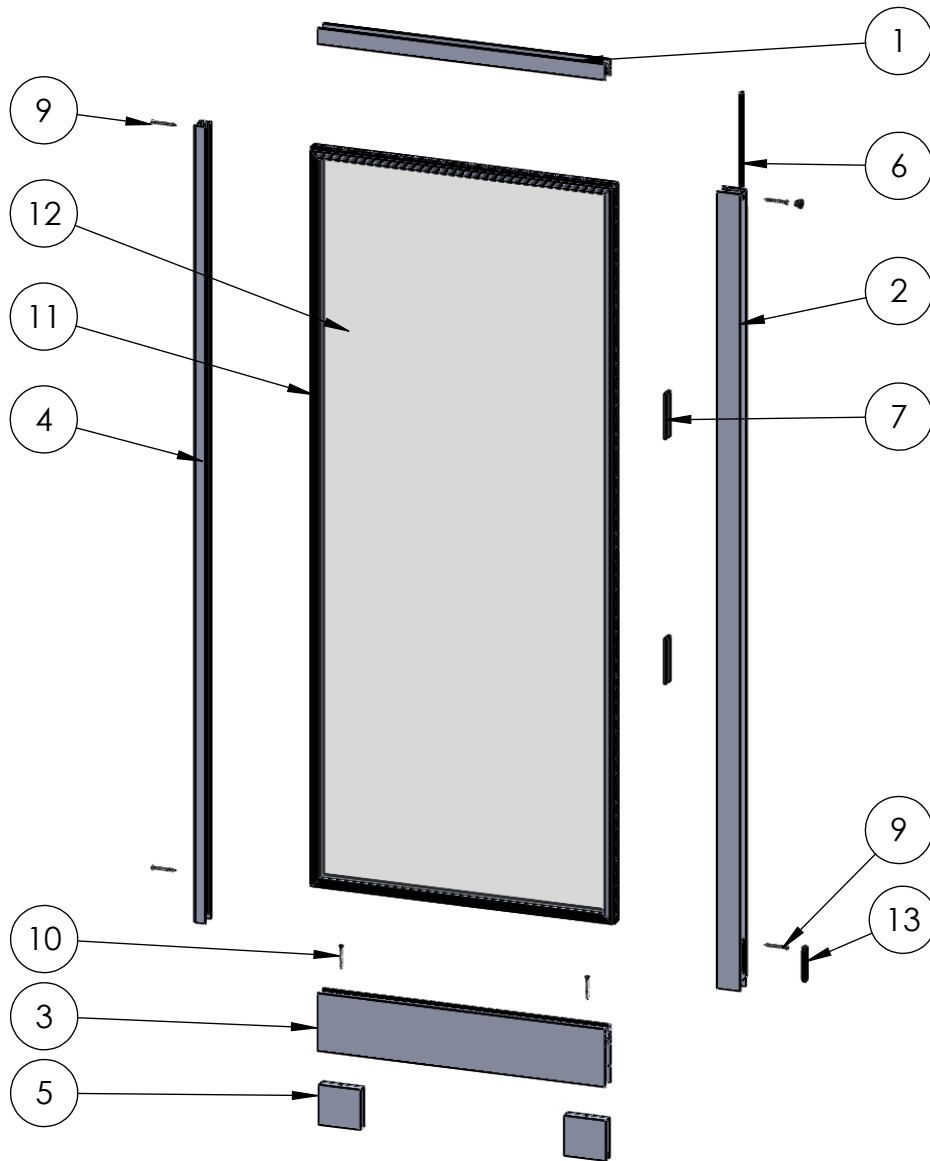
Released 9/11/2018

SHEET 3 OF 6

PROPRIETARY AND CONFIDENTIAL

THE INFORMATION CONTAINED IN THIS DRAWING IS THE SOLE PROPERTY OF FLEETWOOD WINDOWS & DOORS.
ANY REPRODUCTION IN PART OR AS A WHOLE WITHOUT THE WRITTEN PERMISSION OF FLEETWOOD WINDOWS & DOORS IS PROHIBITED.

ASSEMBLY / PARTS LIST (B.O.M.)



EXTRUSIONS

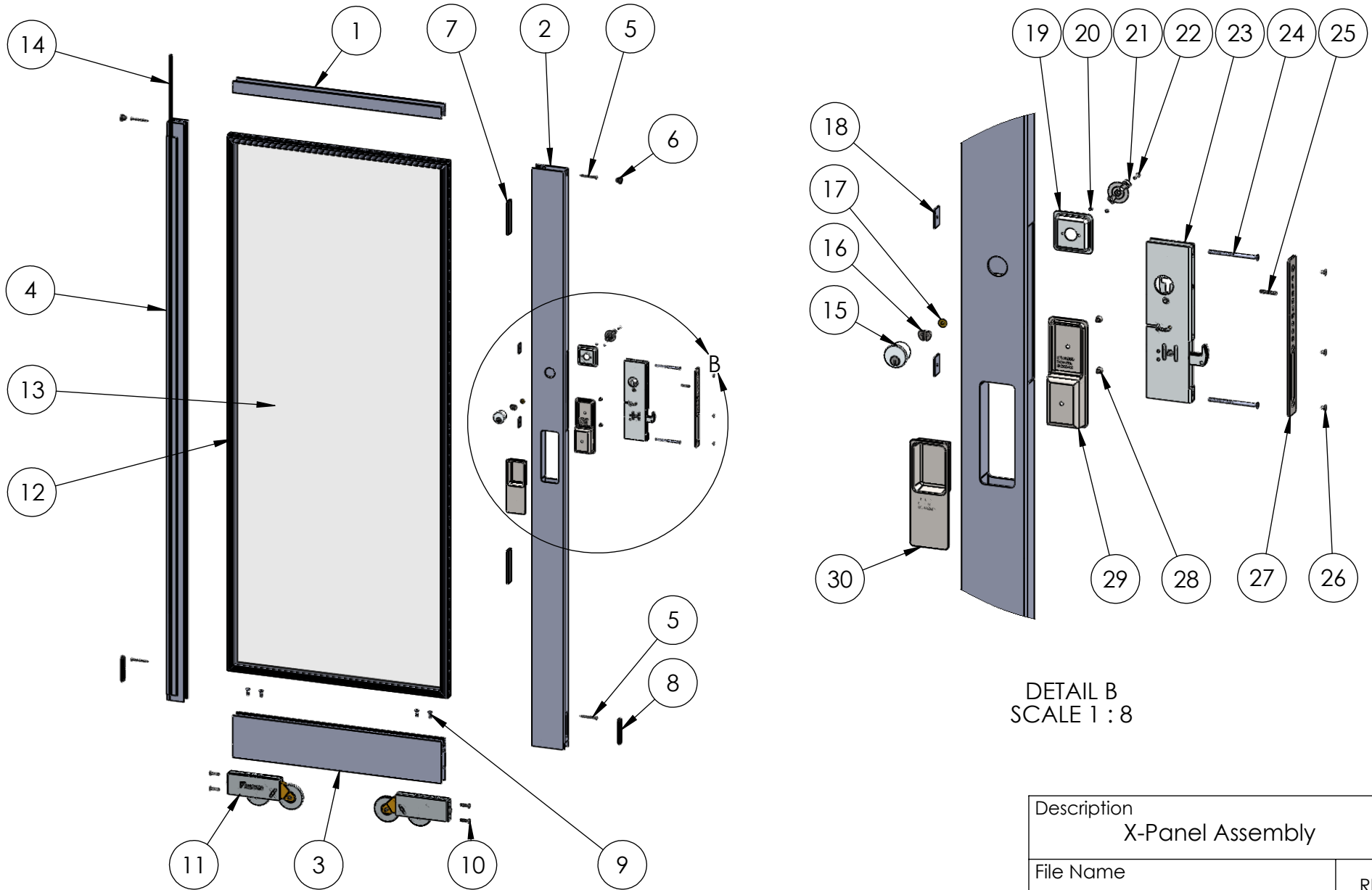
ITEM NO.	PART NUMBER	DESCRIPTION	QTY.
1	3004	Top Rail DG	1
2	3006	Interlock DG	1
3	3027	Bottom Rail	1
4	3008	Fixed Stile DG	1

HARDWARE

ITEM NO.	PART NUMBER	DESCRIPTION	QTY.
5	25381	A3 Roller Setting Block	2
6	19117	Large Fin Seal (29027045bkqb)	1
7	18620	Setting Block 4" x 1/4"x1"	2
8	20635	Small Round Panel Plug	1
9	20355	#10 PHP -A, 2", SS, Clear	4
10	20298	#10 FHP-A, 2", SS, Clear	2
11	22909	1 inch Glazing Vinyl	1
12	-	Glass	1
13	20478	Oval Plug - Long	1

Description O-Panel Assembly	
File Name Series 3070 OX No Screen Assembly	REV
Released 9/11/2018	SHEET 4 OF 6

ASSEMBLY / PARTS LIST (B.O.M.)



DETAIL B
 SCALE 1 : 8

PROPRIETARY AND CONFIDENTIAL
 THE INFORMATION CONTAINED IN THIS DRAWING IS THE SOLE PROPERTY OF FLEETWOOD WINDOWS & DOORS.
 ANY REPRODUCTION IN PART OR AS A WHOLE WITHOUT THE WRITTEN PERMISSION OF FLEETWOOD WINDOWS & DOORS IS PROHIBITED.

Description X-Panel Assembly	
File Name Series 3070 OX No Screen Assembly	REV
Released 9/11/2018	SHEET 5 OF 6

ASSEMBLY / PARTS LIST (B.O.M.)

EXTRUSIONS				HARDWARE			
ITEM NO.	PART NUMBER	DESCRIPTION	QTY.	ITEM NO.	PART NUMBER	DESCRIPTION	QTY.
1	3004	Top Rail DG	1	20	24074	#4-40 FHP, UC, 1/8", SS, Clear	2
2	3767	Lock Stile (Archetype)	1	21	24079, 24766	Archetype Actuator (Black, SS)	1
3	3027	Bottom Rail	1	22	24072, 24094	#6-32, Hex Socket Head Cap, Self Locking, 1/2", SS (Clear, Black)	1
4	3006	Interlocker	1	23	24070, 24077	Archetype Latch (OX,XO)	1
5	20355	#10 PHP -A, 2", SS, Clear	4	24	25729	#10-32 FHP, 3, SS, Clear	2
HARDWARE				25	24935	#8-32 x 1" Set Screw (Reg. arch. Cyl.)	1
ITEM NO.	PART NUMBER	DESCRIPTION	QTY.	26	24076	#8-32 FH Socket Cap Screw, 3/8",SS	3
6	20635	Small Round Door Bumper	2	27	24075	Archetype Primary Latch(Face) Plate, Cover	1
7	18620	Setting Block 4" x 1/4"x1"	2	28	26049, 25325	#8-32 FHS - B, 0.375 in, SS, (Clear, Black)	2
8	20478	Oval Plug - Long	2	29	24089, 24091	Archetype Handle, Inside, w/Gasket (SS, Blk)	1
9	20305	#1/4-20 FHP - B, 3/4", SS Clear	4	30	24090, 24092	Archetype Handle, Outside, w/Gasket (SS, Blk)	1
10	91772A542	#1/4-20 PHP - B, 1", SS, Clear	4				
11	18883	A3 Roller	2				
12	20480, 19050, 19074	Glazing Vinyl (1", 15/16", 1 1/16")	1				
13	-	Glass	1				
14	19117	Large Fin Seal (29027045bkqb)	1				
15	25356, 24782	Archetype Keyed Cylinder (SS) (KA,KD) (with Cam/Bushing/Screw)	1				
16	24780	Archetype Key Cylinder Cam	1				
17	24781	Archetype Key Cylinder Bushing	1				
18	18671	Back Up Plate # 10-32 x 0.075 Thk.	2				
19	24080,24765, 24081,24767	Archetype Actuator Pocket, (OX (Black, SS), XO (Black, SS))	1				

PROPRIETARY AND CONFIDENTIAL

THE INFORMATION CONTAINED IN THIS DRAWING IS THE SOLE PROPERTY OF FLEETWOOD WINDOWS & DOORS. ANY REPRODUCTION IN PART OR AS A WHOLE WITHOUT THE WRITTEN PERMISSION OF FLEETWOOD WINDOWS & DOORS IS PROHIBITED.

Description X-Panel Assembly B.O.M.	
File Name Series 3070 OX No Screen Assembly	REV
Released 9/11/2018	SHEET 6 OF 6