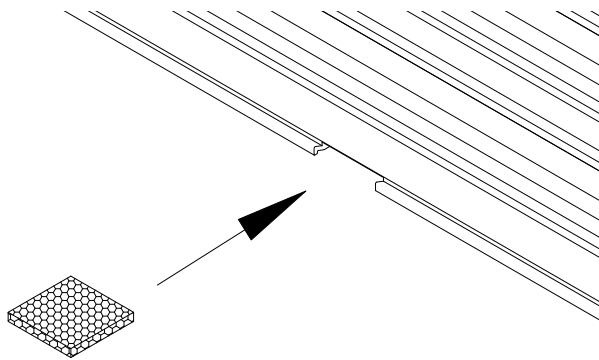
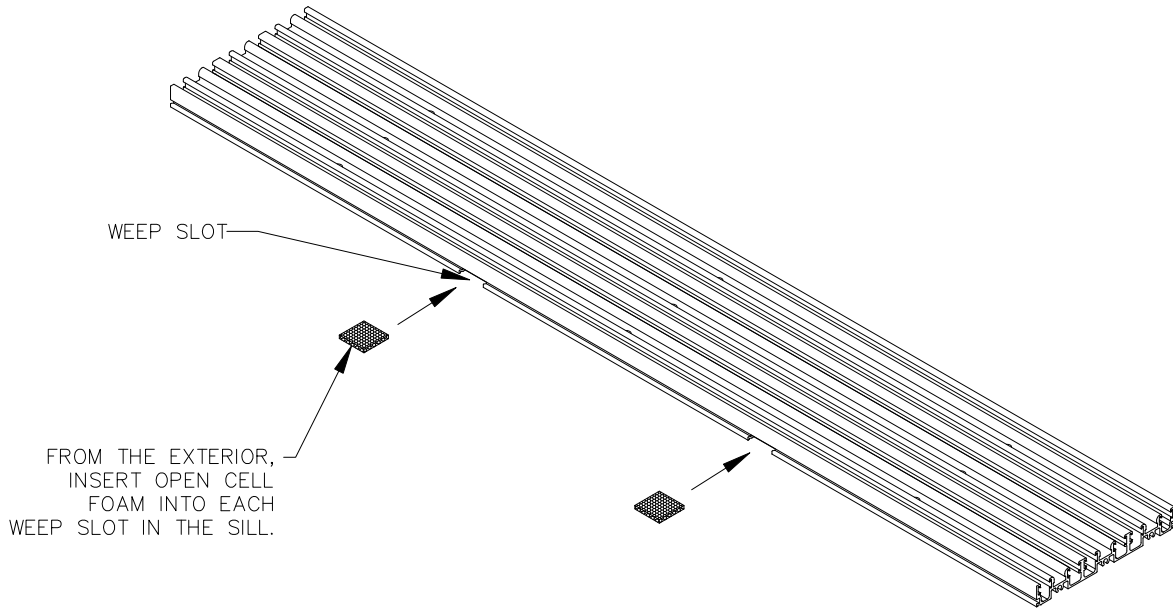
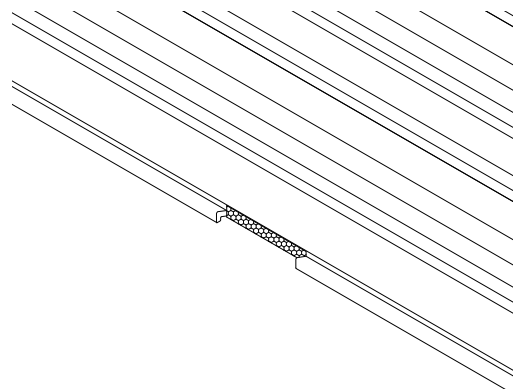


3070 Multislide Sill Open Cell Foam Installation Instructions

The following defines the installation of open cell foam into the weep slots of the 3070 sill to improve water performance. **Do not use closed cell foam for this application.** Closed cell foam will not allow water to exit thru the weep slots.



Insert Open Cell Foam into Weep Slot



Open Cell Foam Installed