

FLEETWOOD
WINDOWS & DOORS
FleetwoodUSA.com

SERIES 3070

CONCEPT LAYOUT

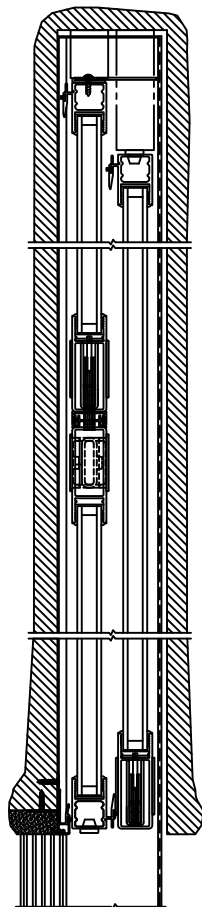
U:\Cadfiles_Admin\Products\3070\Concept_Dwgs

DWG NO.: 3070-C01

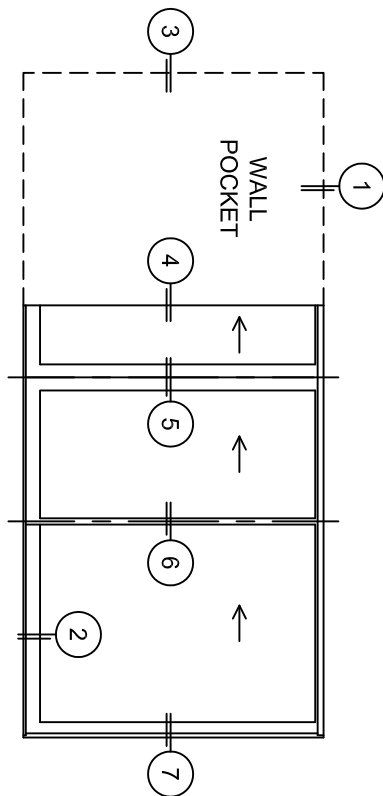
DATE: 12/10/14

SCALE: AS NOTED

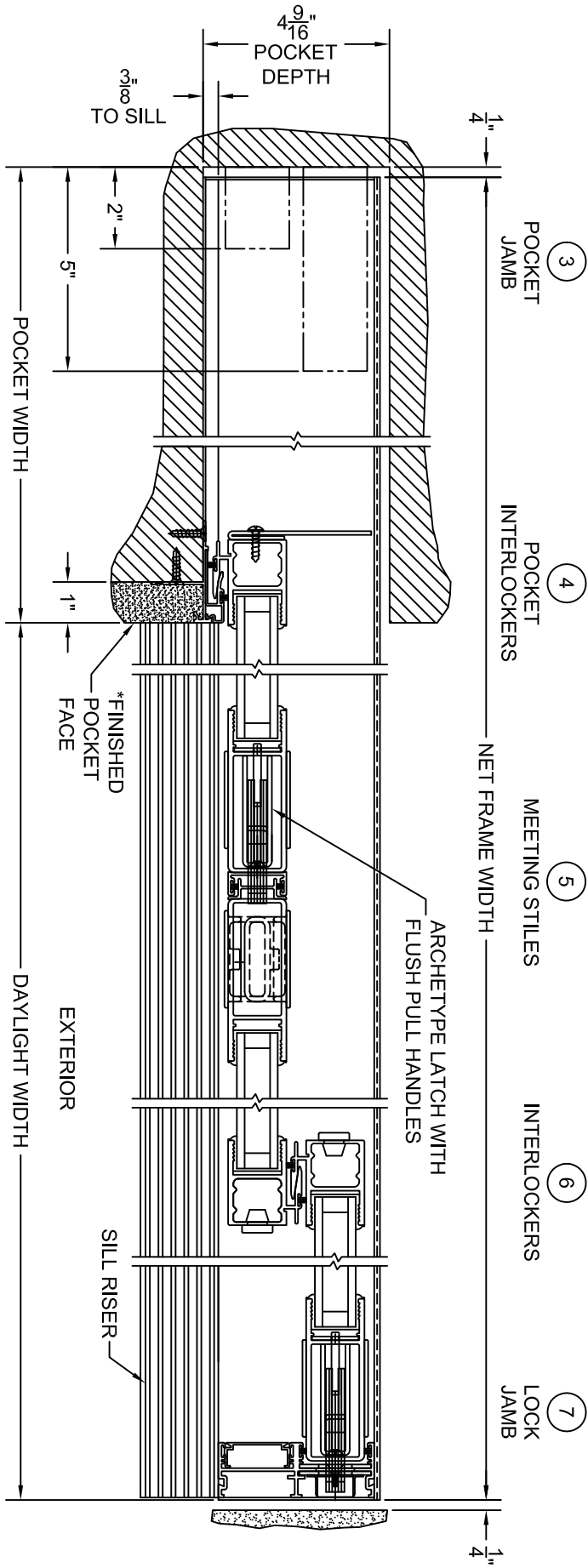
CONCEPT TO ILLUSTRATE LARGE OPENING ENTRY DOOR



POCKET VIEW: DOOR IN OPEN POSITION
SCALE: 1-1/2" = 1'



PXX DOOR SHOWN
SCALE: 3/16" = 1'



PLAN VIEW
SCALE: 3" = 1'

*CAUTION: WHEN CONSTRUCTING POCKET NOTE THAT DAYLIGHT WIDTH DOES NOT INCLUDE 1" SET BACK FOR POST INTERLOCKER.

SERIES 3070